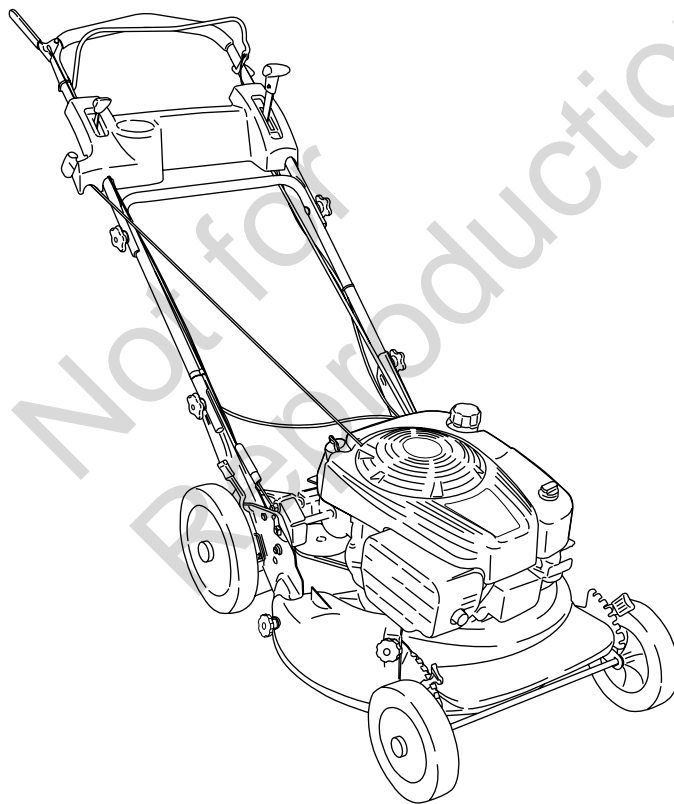




- en** *Operator's Manual*
- es** *Manual del operador*
- fr** *Manuel d'utilisation*



Manual Contents:

Operator Safety.....	2
Features and Controls.....	8
Operation.....	8
Maintenance.....	14
Troubleshooting.....	27
Warranties.....	28
Slope Guide.....	31
Specifications.....	32

The images in this document are representative, and are meant to complement the instructional copy they accompany. Your unit may vary from the images displayed. *LEFT* and *RIGHT* are as seen from the operator's position.

Thank you for purchasing this quality-built Snapper Walkbehind Mower. We're pleased that you've placed your confidence in the Snapper brand. When operated and maintained according to the manuals, your Snapper product will provide many years of dependable service.

The manuals contain safety information to make you aware of the hazards and risks associated with the unit and how to avoid them. This Walkbehind Mower was designed to be used as described in operator's manual and is not intended for any other purpose. It is important that you read and understand the instructions thoroughly before attempting to start or operate this equipment. Save these original instructions for future reference.

This product requires final assembly before use. Refer to the setup guide for instructions on final assembly procedures. Follow the instructions completely.

Operator Safety

Safety Definitions

For your safety, the safety of others, and to protect the performance of equipment, follow the precautions listed throughout the manual before operation, during operation, and during maintenance procedures.



indicates a potential personal injury hazard.



DANGER

indicates a hazardous situation which, if not avoided, will result in death or serious injury.



WARNING

indicates a hazardous situation which, if not avoided, could result in death or serious injury.



CAUTION







indicates a hazardous situation which, if not avoided, could result in minor or moderate injury.

NOTICE

indicates a situation which can cause damage to the equipment, personal property and/or the environment, or cause the equipment to operate improperly.

Safety Symbol Definitions

The following safety symbols may be found on the unit.

	Read the operator's manual before attempting to operate the mower.
	Mow across slopes, not up or down.
	To avoid injury to others, do not mow when others, especially children, are around.
	To reduce the potential for fire, wait at least 2 minutes before refueling.
	To avoid serious injury or death, keep hands and feet away from the mower deck at all times during operation.
	To avoid injury from thrown objects, do not operate the mower unless all mulching, discharge, or bagging components are in their proper place.

California Spark Arrester Warning



WARNING



It is a violation of California Public Resource Code, Section 4442, to use or operate the engine on any forest-covered, brush-covered, or grass-covered land unless the exhaust system is equipped with a spark arrester, as defined in Section 4442, maintained in effective working order. Other states or federal jurisdictions may have similar laws. Contact the original equipment manufacturer, retailer, or dealer to obtain a spark arrester designed for the exhaust system installed on this engine.



WARNING

Battery posts, terminals, and related accessories contain lead and lead compounds, chemicals known to the State of California to cause cancer and birth defects or other reproductive harm. Wash hands after handling.

California Proposition 65



This product can expose you to chemicals including gasoline engine exhaust, which is known to the State of California to cause cancer, and carbon monoxide, which is known to the State of California to cause birth defects or other reproductive harm. For more information go to www.P65Warnings.ca.gov.

Operating Safety



Power equipment is only as safe as the operator. If it is misused, or not properly maintained, it can be dangerous! Remember, you are responsible for your safety and that of those around you.

Use common sense, and think through what you are doing. If you are not sure that the task you are about to perform can be safely done with the equipment you have chosen, ask a professional: contact your local authorized dealer.

Read the Manual



The operator's manual contains important safety information you need to be aware of BEFORE you operate your unit as well as DURING operation.

Safe operating techniques, an explanation of the product's features and controls, and maintenance information is

included to help you get the most out of your equipment investment.

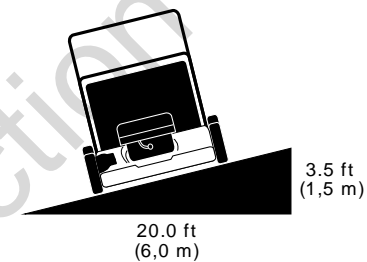
Be sure to completely read the Safety Rules and Information found on the following pages. Also completely read the Operation section.

Children



Tragic accidents can occur with children. Do not allow them anywhere near the area of operation. Children are often attracted to the unit and mowing activity. Never assume that children will remain where you last saw them. If there is a risk that children may enter the area where you are mowing, have another responsible adult watch them.

Slope Operation



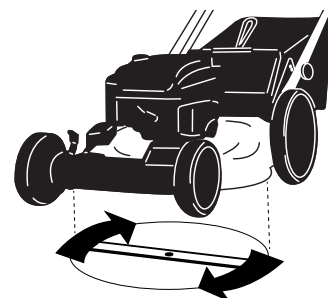
You could be seriously injured or even killed if you use this unit on too steep an incline. Using the unit on a slope that is too steep or where you don't have adequate footing or traction can cause you to lose control or slip and fall.

You should not operate on inclines with a slope greater than 10 degrees, which is a 3.5 ft (1,5 m) rise over 20.0 ft (6,0 m). Always mow across slopes, never up and down.

Also note that the surface you are mowing can greatly impact control. Wet grass or leaves can seriously affect your footing and traction on a slope.

If you feel unsure about operating the unit on an incline, don't do it. It's not worth the risk.

Moving Parts



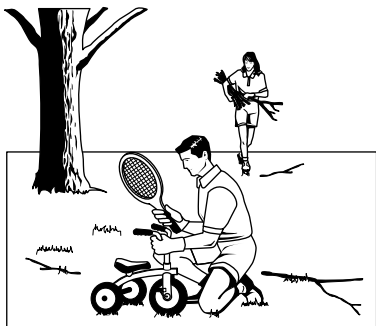
This equipment has moving parts that can injure you or someone else. However, if you stand behind the handle

properly and follow all the rules in this book, the unit is safe to operate.

The mower has a spinning mower blade that can amputate hands and feet. Do not allow anyone near the equipment while it is running!

To help you, the operator, use this equipment safely, it is equipped with an operator present safety system. Do NOT attempt to alter or bypass the system. See your dealer immediately if the system does not pass all the safety interlock system tests found in this manual.

Thrown Objects



This unit has a spinning mower blade. This blade can pick up and throw debris that could seriously injure a bystander. Be sure to clean up the area to be mowed BEFORE you start mowing.

Do not operate this unit without the entire grass catcher or discharge guard (deflector) in place.

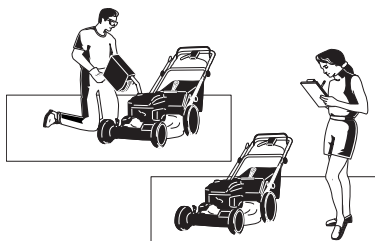
Also, do not allow anyone in the area while the unit is running! If someone does enter the area, turn the unit off immediately until they leave.

Debris Accumulation



Accumulation of grass and debris can result in a fire. Be sure to clean any accumulation of grass and debris with a brush or compressed air, before and after operation.

Fuel and Maintenance



Gasoline is extremely flammable. Its vapors are also extremely flammable and can travel to distant ignition sources. Gasoline must only be used as a fuel, not as a solvent or cleaner. It should never be stored any place where

its vapors can build up or travel to an ignition source like a pilot light. Fuel belongs in an approved, plastic, sealed gas can, or in the tractor fuel tank with the cap securely closed. Spilled fuel needs to be cleaned up immediately.

Proper maintenance is critical to the safety and performance of your unit. Be sure to perform the maintenance procedures listed in this manual, especially periodically testing the safety system.

General Safety Messages

WARNING

This powerful cutting machine is capable of amputating hands and feet and can throw objects that can cause injury and damage! Failure to comply with the following SAFETY instructions could result in serious injury or death to the operator or other persons. The owner of the machine must understand these instructions and must allow only persons who understand these instructions to operate machine. Each person operating the machine must be of sound mind and body and must not be under the influence of any substance, which might impair vision, dexterity or judgment.

WARNING

Engines give off carbon monoxide, an odorless, colorless, poison gas. Breathing carbon monoxide can cause nausea, fainting, or death.

- Start and run engine outdoors.
- Do not run the engine in an enclosed area, even if doors or windows are open.

Protection For Children

Tragic accidents can occur if the operator is not alert to the presence of children. Children are often attracted to the machine and the mowing activity. Never assume that children will remain where you last saw them.

1. KEEP children out of the mowing area and under the watchful care of a responsible adult other than the operator.
2. DO NOT allow children in yard when machine is operated and turn machine OFF if anyone enters the area.
3. DO NOT allow pre-teenage children to operate machine.
4. ALLOW only responsible adults & teenagers with mature judgment under close adult supervision to operate the machine.
5. DO NOT pull mower backwards unless absolutely necessary. LOOK and SEE behind and down for children, pets and hazards before and while backing.
6. USE EXTRA CARE when approaching blind corners, shrubs, trees, or other objects that may obscure vision.

Slope Operation

1. Slopes are a major factor related to slip and fall accidents, which can result in severe injury. All slopes

require extra caution. If you feel uneasy on a slope, DO NOT mow it.

2. Mow across slopes, never up-and-down. Exercise extreme CAUTION when changing directions on slopes. DO NOT mow steep slopes or other areas where stability or traction is in doubt. Refer to the Slope Guide at the back of this manual.
3. Use extra care with grass catchers or other attachments; these affect the handling and the stability of the machine.

Preparation

1. Read, understand, and obey instructions and warnings in this manual and on the mower, engine and attachments. Know the controls and the proper use of the mower before starting.
2. Only mature, responsible persons shall operate the machine and only after proper instruction.
3. Data indicates that operators age 60 and above, are involved in a large percentage of mower-related injuries. These operators should evaluate their ability to operate the mower safely enough to protect themselves and others from serious injury.
4. Handle fuel with extra care. Fuels are flammable and vapors are explosive. Use only an approved fuel container. DO NOT remove the fuel cap or add fuel with engine running. Add fuel outdoors only with the engine stopped and cool. Clean spilled fuel and oil from the machine. DO NOT smoke.
5. Check the area to be mowed and remove all objects such as toys, wire, rocks, limbs and other objects that could cause injury if thrown by the blade or interfere with mowing. Also note the location of holes, stumps, and other possible hazards.
6. Keep people and pets out of the mowing area. Immediately, STOP Blade, Stop engine and Stop mower if anyone enters the area.
7. Check shields, deflectors, switches, blade controls and other safety devices frequently for proper operation and location.
8. Make sure all safety decals are clearly legible. Replace if damaged.
9. Protect yourself when mowing and wear safety glasses, long pants and substantial footwear. DO NOT mow barefooted or with sandals.
10. Know how to STOP the blade and engine quickly in preparation for emergencies.
11. Use extra care when loading or unloading the machine into a trailer or truck.
12. Check grass catcher components frequently for signs of wear or deterioration and replace as needed to prevent injury from thrown objects going through weak or torn spots.

Safe Handling Of Gasoline

To avoid personal injury or property damage, use extreme care in handling gasoline. Gasoline is extremely flammable and the vapors are explosive.

1. Extinguish all cigarettes, cigars, pipes and other sources of ignition.
2. Use only an approved fuel container.
3. DO NOT remove fuel cap or add fuel with the engine running. Allow the engine to cool before refueling.
4. DO NOT refuel the machine indoors.
5. DO NOT store the machine or fuel container inside where there is an open flame, spark or pilot light such as on a water heater or other appliances.
6. DO NOT fill fuel containers inside a vehicle or on a truck or trailer bed with a plastic liner. Always place the containers on the ground away from the vehicle before filling.
7. Remove gas-powered equipment from the vehicle or trailer and refuel it on the ground. If this is not possible, then refuel equipment using a portable container, rather than a gasoline dispenser nozzle.
8. DO NOT start gas powered equipment in enclosed vehicles or trailers.
9. Keep the nozzle in contact with the rim of the fuel tank or container opening at all times until fueling is complete. DO NOT use a nozzle lock-open device.
10. If fuel is spilled on clothing, change clothing immediately.
11. DO NOT overfill a fuel tank. Replace fuel cap and tighten securely.

Operation

1. DO NOT put hands or feet near or under rotating parts. Keep clear of discharge area while engine is running.
2. STOP engine when crossing gravel drives, walks, or roads, and under any conditions where thrown objects might be a hazard.
3. Mow only in daylight or good artificial light.
4. DO NOT operate mower while under the influence of alcohol or drugs.
5. After striking a foreign object or if the mower vibrates abnormally, STOP the engine, disconnect and secure the spark plug wire. Inspect the mower for any damage and repair the damage before starting.
6. DO NOT mow near drop offs, ditches or embankments. Operator could lose footing or balance.
7. STAY ALERT for holes and other hidden hazards. Tall grass can hide obstacles. Keep away from ditches, washouts, culverts, fences and protruding objects.
8. DO NOT mow on wet grass. Always be sure of your footing. Keep a firm hold on the handle and walk, never run. Slipping could cause injury.
9. ALWAYS stay behind handle when engine (motor) is running.

10. DO NOT leave the machine with the engine running. STOP BLADE and STOP ENGINE before leaving the operators position for any reason.
 11. Before cleaning, repairing or inspecting make certain the engine, blade and all moving parts have STOPPED. Disconnect and secure the spark plug wire away from plug to prevent accidental starting.
 12. STOP the engine and wait until the blade comes to complete STOP before removing the grass bag and/or clearing grass.
 13. DO NOT operate the mower without the the entire grass catcher, rear guard, or other safety devices in place and working. DO NOT point discharge at people, passing cars, windows or doors.
 14. DO NOT discharge material against a wall or obstruction. Material may ricochet back towards the operator.
 15. Slow down before turning.
 16. Watch out for traffic when near or crossing roadways.
 17. DO NOT operate the engine in enclosed areas. Engine exhaust gases contain carbon monoxide, a deadly poison.
 18. Only use accessories approved by the manufacturer. See manufacturer's instructions for proper operation and installation of accessories.
9. Mower blades are sharp and can cut. Wrap the blades or wear heavy leather gloves and use CAUTION when handling them.
 10. DO NOT test for spark by grounding the spark plug next to the spark plug hole; the spark plug could ignite gas exiting the engine.
 11. Have the machine serviced by an authorized dealer at least once a year and have the dealer install any new safety devices.
 12. Use only factory authorized replacement parts or equivalent parts when making repairs.
 13. Remove battery (if equipped) before making adjustments or repairs.

Safety and Operation Decals

Reading this manual and the safety instructions it contains will provide the basic knowledge necessary to operate this mower safely and effectively. However, several safety and operation decals have also been placed on the mower as a reminder of this important information during operation.

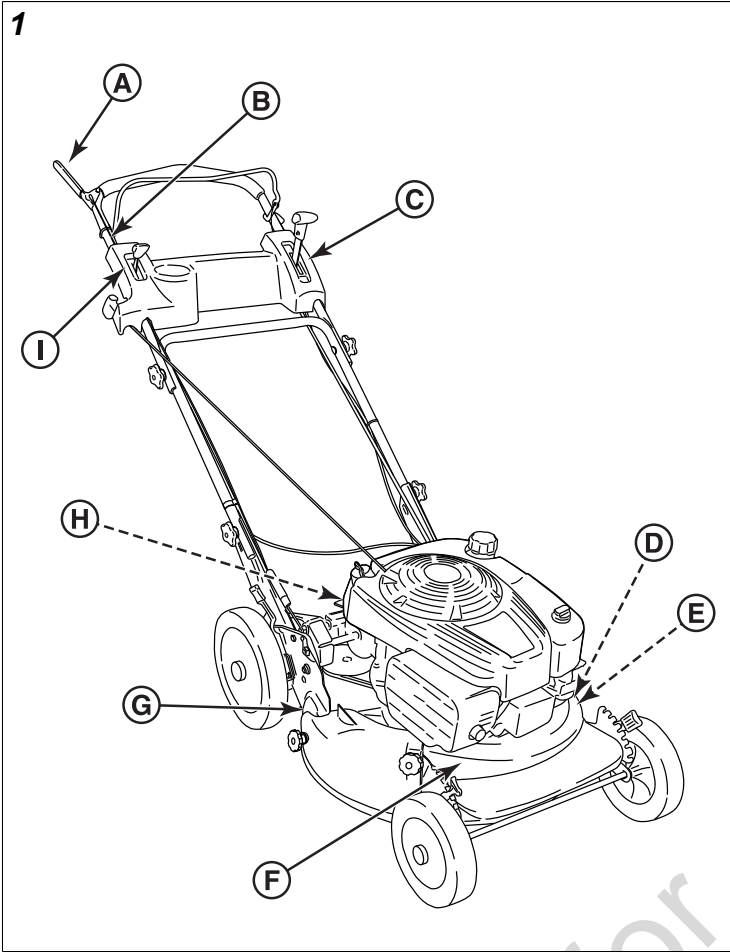
The decals noted below are located on the mower. The safety warnings and operation instructions they contain should be carefully read, understood, and followed. Not following these important warnings and instructions can result in serious bodily injury or death.




If any of these decals are lost or damaged, replace them immediately. Contact your dealer for replacement decals.



Compare Figure 1 with the table following.

Maintenance And Storage

1. DO NOT store the mower or fuel container inside where fumes may reach an open flame, spark or pilot light such as in a water heater, furnace, clothes dryer or other gas appliance. Allow the engine to cool before storing the machine in an enclosure. Store fuel containers out of reach of children in a well ventilated, unoccupied building.
2. Keep the mower and engine free of grass, leaves or excess grease to reduce fire hazard and engine overheating.
3. When draining the fuel tank, drain fuel into an approved container outdoors and away from open flame.
4. Keep all bolts, especially blade bolts, nuts and screws properly tight. Check that all cotter pins are in proper position.
5. Always provide adequate ventilation when running engine. Engine exhaust gases contain carbon monoxide, a deadly poison.
6. Service the engine and make adjustments only when engine is stopped. Remove the spark plug wire from the spark plug and secure the wire away from the spark plug to prevent accidental starting.
7. DO NOT change engine governor speed settings or overspeed the engine.
8. Check the grass bag assembly frequently for wear or deterioration to avoid thrown objects and exposure to moving parts. Replace with a new bag if loose seams or tears are evident. Replace slider or bag adapter if broken or cracked.



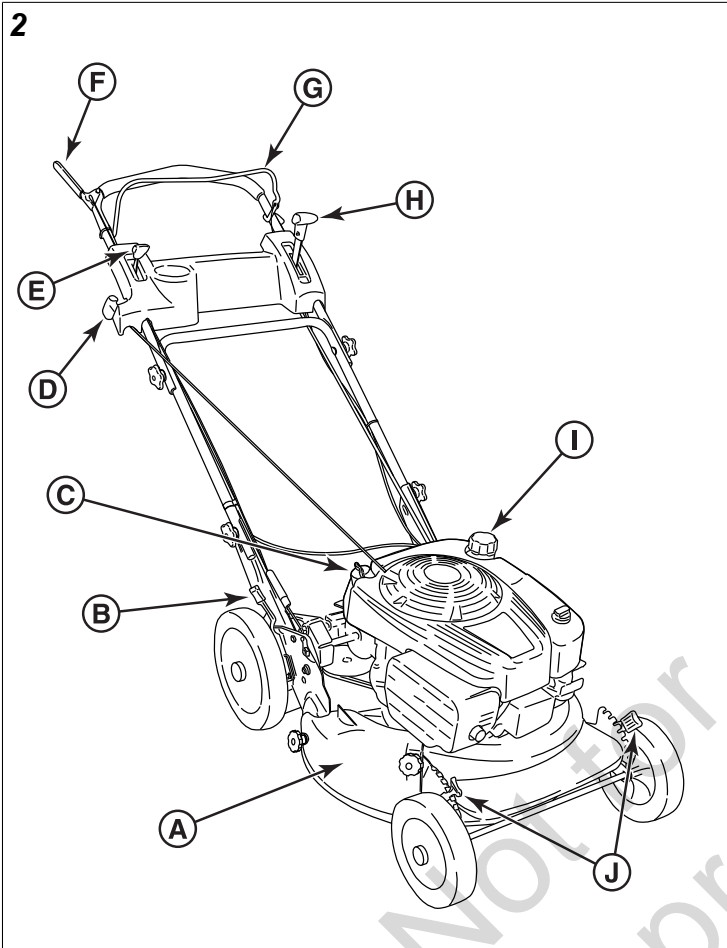
A		<p>Drive Control</p> <ul style="list-style-type: none"> Squeeze drive control against handle to engage wheel drive.
B		<p>OPC (Blade Control)</p> <ul style="list-style-type: none"> Squeeze blade control to start and run engine and blade. Release blade control to stop engine and blade.
C		<p>Ground Speed Control</p> <ul style="list-style-type: none"> Move ground speed control toward Fast (Rabbit) to increase ground speed. Move ground speed control toward Slow (Turtle) to decrease ground speed.

D	<p>WARNING Fire Hazard. Operation of this equipment may create sparks that can start fires around dry vegetation. A spark arrestor may be required. The operator should contact local fire agencies for laws or regulations relating to fire prevention requirements.</p> <p>AVERTISSEMENT Risque d'incendie. Ce matériel peut produire des étincelles et déclencher des feux de broussailles. Un pare-étincelles peut s'avérer nécessaire. Contactez les organismes locaux de lutte contre les incendies pour obtenir les réglementations concernant les exigences de prévention incendie.</p>	<p>WARNING: Spark Arrestor may be required.</p>
E	<p>WARNING AVOID SERIOUS INJURY OR DEATH • Read operator's manual. • Keep safety devices (guards, shields, switches, etc.) in place and working. • Go across slopes, not up or down. • Remove objects that could be thrown by blade. • Do not mow when children or others are around. • Lock-down and behind before and while moving backwards. • Wait at least 2 minutes before refuelling.</p> <p>AVERTISSEMENT POUR ÉVITER DES BLESSURES GRAVES VOIRS MORTELLES • Lire le manuel d'utilisation. • Maintenir en place et en état de marche les dispositifs de sécurité (protections, écrans, commutateurs, etc.). • Passer latéralement sur les pentes, pas en montant ou descendant. • Enlever les objets qui peuvent être projetés par la lame. • Ne pas tondre s'il y a des enfants ou des badauds aux alentours. • Regarder en bas et derrière avant et pendant une marche arrière. • Patienter au moins 2 minutes avant de retenir le plein.</p> <p>DANGER AMPUTATION AND THROWN OBJECT HAZARD • Keep hands and feet away from deck. • Do not operate mower unless discharge chute or entire grass catcher is in its proper place.</p> <p>AVERTISSEMENT RISQUE D'AMPUTATION ET OBJETS PROJÉTÉS • Garder mains et pieds à l'écart de la plate-forme de coupe. • Ne pas utiliser la tondeuse si le déversoir ou toute le bac à herbe pas bien en place.</p>	<p>WARNING: Avoid Serious Injury or Death</p>
F		<p>DANGER: Keep Hands and Feet Away.</p>
G	<p>DANGER AMPUTATION AND THROWN OBJECT HAZARD • Keep hands and feet away from deck. • Do not operate mower unless discharge chute or entire grass catcher is in its place.</p>	<p>DANGER: Amputation and Thrown Object Hazard.</p>
G	<p>DANGER RISQUE D'AMPUTATION ET OBJETS PROJÉTÉS • Garder mains et pieds à l'écart de la plate-forme de coupe. • Ne pas utiliser la tondeuse si le déversoir ou tout le bac à herbe pas bien en place.</p>	<p>DANGER: Amputation and Thrown Object Hazard.</p>
H	<p>WARNING Cancer and Reproductive Harm www.P65Warnings.ca.gov</p> <p>AVERTISSEMENT Cancer ET Troubles de l'appareil reproducteur www.P65Warnings.ca.gov</p>	<p>WARNING: Cancer and Reproductive Harm.</p>
I		<p>Engine Speed Control</p> <ul style="list-style-type: none"> Move engine speed control lever toward Slow (Turtle) to decrease engine speed. Move engine speed control lever toward Fast (Rabbit) to increase engine speed. Move engine speed control lever past Fast (Rabbit) to turn on choke.

Features and Controls

Note: The figures and illustrations in this manual are provided for reference only and may differ from your specific model. Contact your dealer if you have questions.

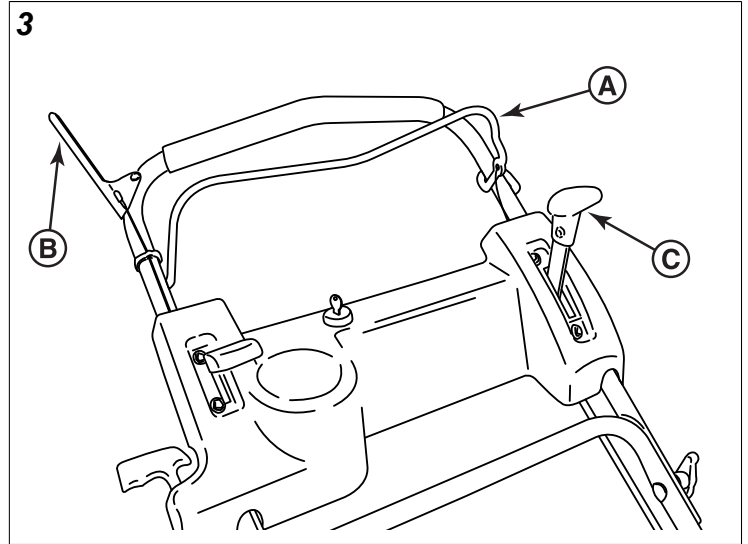
Compare Figure 2 with the table following.



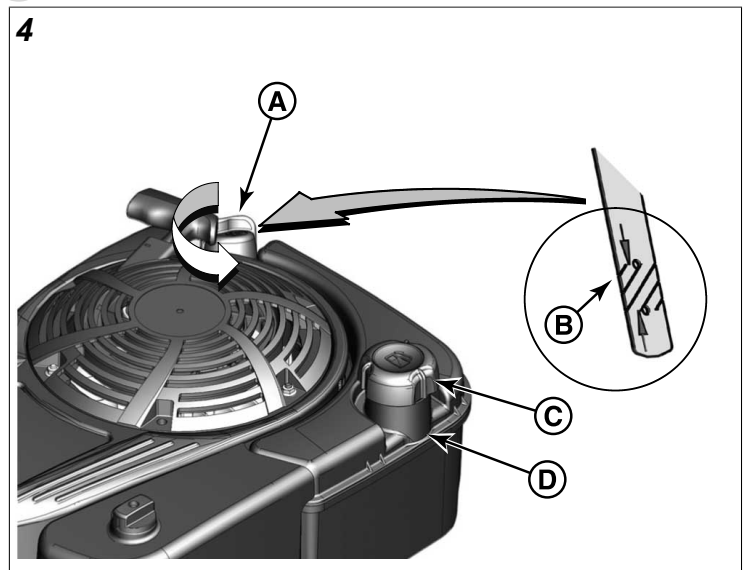
A	Mulching Cover
B	Rear Height Adjustment Latch (2)
C	Oil Fill Cap and Dipstick
D	Rope Start Handle
E	Engine Speed Control
F	Drive Control
G	Blade Control
H	Ground Speed Control
I	Fuel Filler Cap
J	Front Height Adjustment Latch (2)

Operation Before Starting

1. Check the guards, deflectors, grass bag, and covers to make sure all are in place and securely tightened.
2. Check the blade control (A, Figure 3), drive control (B), and ground speed control (C) to insure they work freely.



3. Check the cutting height. Adjust to the desired height. See **Cutting Height Adjustment**.
4. Check the engine oil:
 - Make sure the mower is on a level surface.
 - Clean the oil fill area of any debris.
 - Remove the dipstick (A, Figure 4) and wipe with a clean cloth.
 - Insert and tighten the dipstick.
 - Remove the dipstick and check the oil level. It should be at the top of the full indicator (B) on the dipstick.
 - If low, add oil slowly into the engine oil fill. See **Oil Recommendations**. Do not overfill. After adding oil, wait one minute and recheck the oil level.
 - Replace and tighten the dipstick.



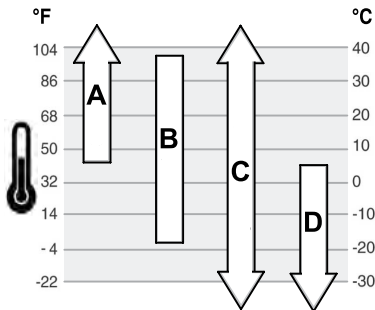
5. Add fuel to the tank:
 - Make sure the mower is outside, where fumes can safely dissipate.
 - Remove the fuel fill cap (C, Figure 4).

- Fill the tank with fuel. See **Fuel Recommendations**. To allow for expansion of the fuel, do not fill above the bottom of the filler neck (D).
 - Reinstall the fuel fill cap.
6. Clean the exterior surfaces of the cutting deck and engine of any accumulation of spilled fuel, dirt, grass, oil, etc. Keep the engine air intake screen and cooling fins clear at all times.
7. Charge the battery. See **Charging the Battery**.

Oil Recommendations

We recommend the use of Briggs & Stratton Warranty Certified oils for best performance. Other high-quality detergent oils are acceptable if classified for service SF, SG, SH, SJ or higher. Do not use special additives.

Outdoor temperatures determine the proper oil viscosity for the engine. Use the chart to select the best viscosity for the outdoor temperature range expected.



A.	SAE 30 - Below 40°F (4°C) the use of SAE 30 will result in hard starting.
B.	10W-30 - Above 80°F (27°C) the use of 10W-30 may cause increased oil consumption. Check oil level more frequently.
C.	Synthetic 5W-30
D.	5W-30

Fuel Recommendations

Fuel must meet these requirements:

- Clean, fresh, unleaded gasoline.
- A minimum of 87 octane / 87 AKI (91 RON). For high altitude use, see below.
- Gasoline with up to 10% ethanol (gasohol) is acceptable.

NOTICE Do not use unapproved gasolines, such as E15 and E85. Do not mix oil in gasoline or modify the engine to run on alternate fuels. Use of unapproved fuels will cause damage to engine components, **which will not be covered under warranty**.

To protect the fuel system from gum formation, mix a fuel stabilizer into the fuel. See the appropriate **Operator's Manual** for recommendations. All fuel is not the same. If starting or performance problems occur, change fuel providers or change brands. This engine is certified to operate on gasoline. The emissions control system for this engine is EM (Engine Modifications).

High Altitude

At altitudes over 5,000 feet (1524 meters), a minimum 85 octane/85 AKI (89 RON) gasoline is acceptable.

For carbureted engines, high altitude adjustment is required to maintain performance. Operation without this adjustment will cause decreased performance, increased fuel consumption, and increased emissions. Contact a Briggs & Stratton Authorized Service Dealer for high altitude adjustment information. Operation of the engine at altitudes below 2,500 feet (762 meters) with the high altitude adjustment is not recommended.

For Electronic Fuel Injection (EFI) engines, no high altitude adjustment is necessary.

Starting the Mower



WARNING

Poisonous Gas Hazard

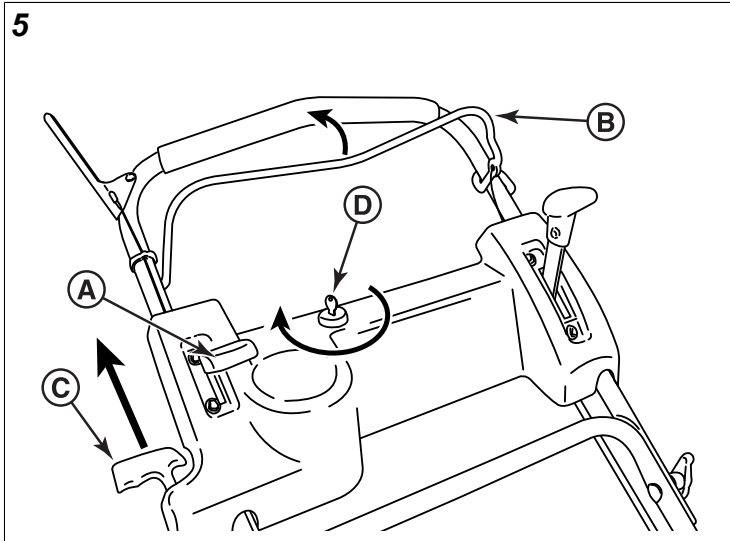
Engine exhaust contains carbon monoxide, a poisonous gas that could kill you in minutes. You **CANNOT** see it, smell it, or taste it. Even if you do not smell exhaust fumes, you could still be exposed to carbon monoxide gas. If you start to feel sick, dizzy, or weak while using this product, shut it off and get to fresh air **RIGHT AWAY**. See a doctor. You may have carbon monoxide poisoning.

- Operate this product **ONLY** outside far away from windows, doors and vents to reduce the risk of carbon monoxide gas from accumulating and potentially being drawn towards occupied spaces.
- Install battery-operated carbon monoxide alarms or plug-in carbon monoxide alarms with battery back-up according to the manufacturer's instructions. Smoke alarms cannot detect carbon monoxide gas.
- **DO NOT** run this product inside homes, garages, basements, crawlspaces, sheds, or other partially-enclosed spaces even if using fans or opening doors and windows for ventilation. Carbon monoxide can quickly build up in these spaces and can linger for hours, even after this product has shut off.
- **ALWAYS** place this product downwind and point the engine exhaust away from occupied spaces.

The engine on your mower is equipped with the Briggs & Stratton Ready Start™ System. This features a temperature-controlled automatic choke. No additional steps are required to start a cold engine.

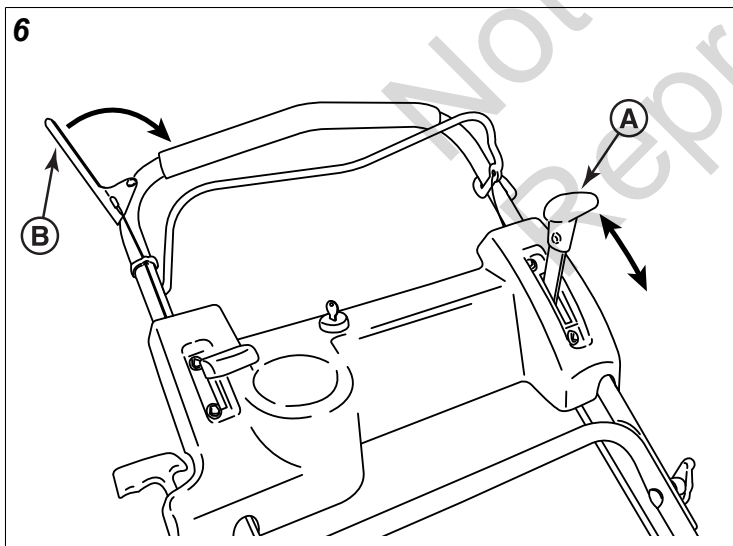
1. Move the engine speed control (A, Figure 5, if equipped) to the fast ('Rabbit') position.
2. Squeeze the blade control (B) against the handle.
3. Start the mower:
 - Manual Start Models: Pull the rope start handle (C) to crank the engine.
 - Electric Start Models: Insert the key (D) into the electric start switch. Turn the key to crank the engine. Use short starting cycles, five seconds maximum, and wait 1 minute between starting cycles.

- To stop the engine (and blade), release the blade control.
- After the engine starts, allow a brief warm-up until the engine runs smooth before beginning mower operation.



Propelling the Mower

- Start the mower.
- Move the ground speed control (A, Figure 6) to the desired speed position.
- Squeeze the wheel drive control (B) against the handle to engage the wheel drive and propel the mower forward. Forward speed can be adjusted while the mower is moving by changing the position of the ground speed control.



Stopping the Mower

- Stop forward motion of the mower by releasing the wheel drive control.
- Stop the engine and blade by releasing the blade control.
- Electric Start Models: Remove the key from the electric start switch.

Handle Height Adjustment



Amputation Hazard

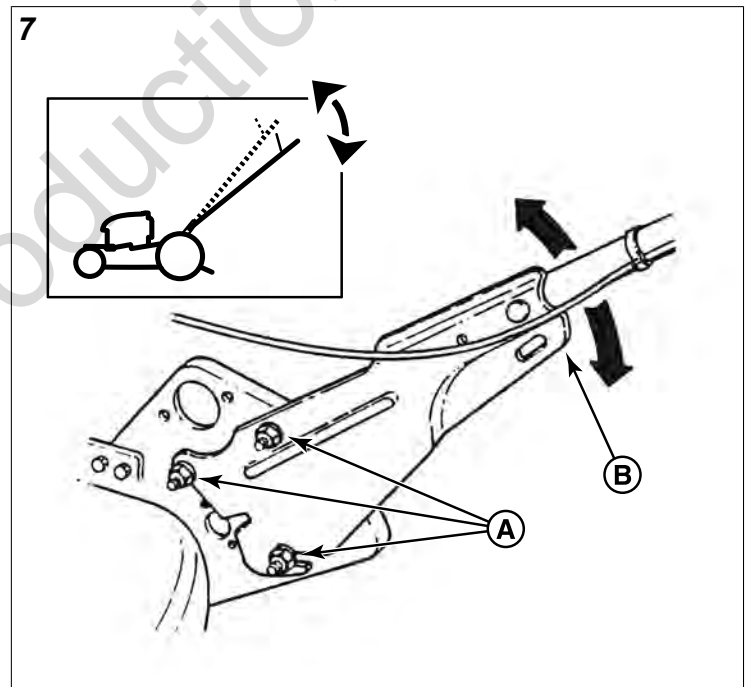
- DO NOT attempt any maintenance, adjustments or service with engine and blade running.
- STOP engine and blade.
- Disconnect spark plug wire and secure away from spark plug.

Burn Hazard

- Engine and components are HOT.
- Avoid serious burns, allow sufficient time for all components to cool.

The height of the mower handle can be adjusted as follows:

1. Loosen the lower nuts (A, Figure 7) on each lower handle.
2. Move the handle assembly (B) up or down until the desired position is achieved.
3. Tighten the lower nuts on each lower handle to maintain the desired position.



Cutting Height Adjustment



WARNING

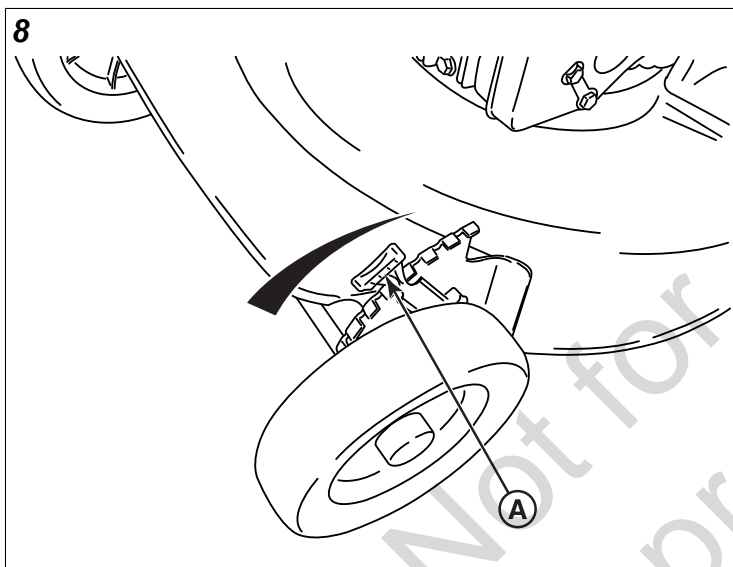
Amputation Hazard

- DO NOT attempt any maintenance, adjustments or service with engine and blade running.
- STOP engine and blade.
- Disconnect spark plug wire and secure away from spark plug.

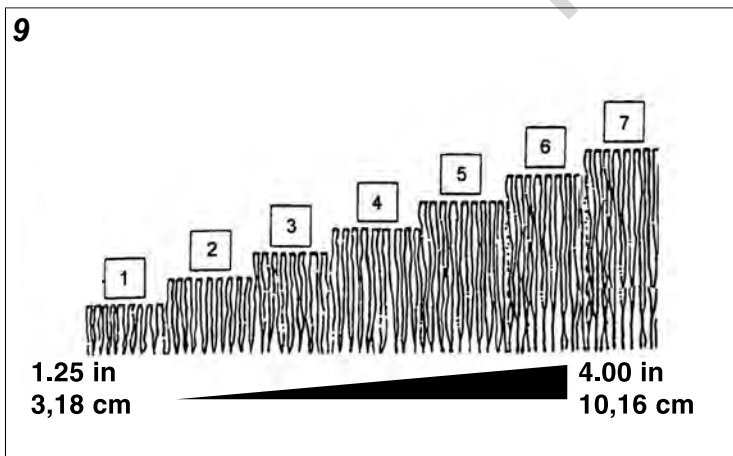
Burn Hazard

- Engine and components are HOT.
- Avoid serious burns, allow sufficient time for all components to cool.

1. Pull the height adjusting latch (A, Figure 8) outward and move to the desired cutting height.



2. Set all wheels at the same cutting height. The highest cutting position is Notch 7 (Figure 9). The lowest cutting position is Notch 1.



Mulching Operation

For best mulching results, cut up to a maximum of 1/3 of grass blade length and recycle ONLY when grass is dry.

1. Set all wheels in the highest cutting position (Notch 7). See **Cutting Height Adjustment**.
2. Move the engine speed control to the fast (Rabbit) position.
3. Move the ground speed control to the slowest speed setting.
4. Proceed mowing slowly. If the grass is very dense, lower each rear wheel latch one notch lower than the front wheel latches to improve mulching performance.

Note: The mulching cover should remain on the machine at all times, unless alternate discharge operations are desired, such as side discharging or bagging.

Removing the Mulching Cover

(Optional Accessory on Some Models)



WARNING

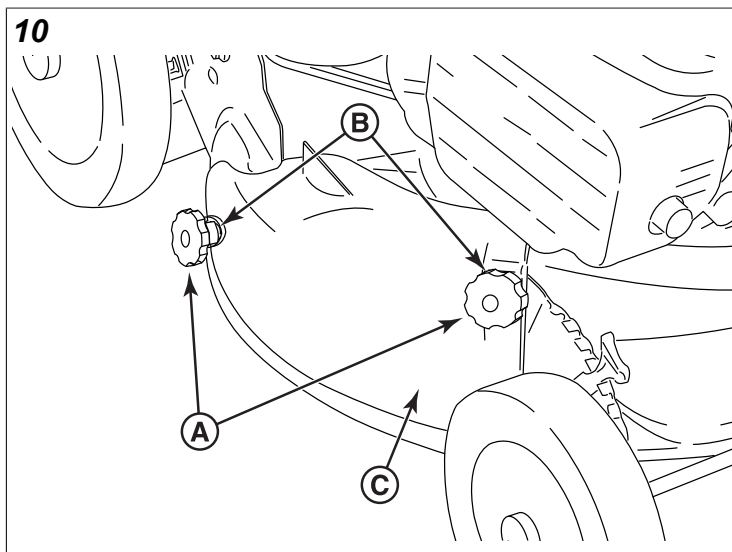
Amputation Hazard

- DO NOT attempt any maintenance, adjustments or service with engine and blade running.
- STOP engine and blade.
- Disconnect spark plug wire and secure away from spark plug.

Burn Hazard

- Engine and components are HOT.
- Avoid serious burns, allow sufficient time for all components to cool.

1. Remove the knob nuts (A, Figure 10) and internal/external tooth lock washers (B) securing the mulching cover (C) to the mower deck.
2. Remove the cover.



Installing the Discharge Deflector



WARNING



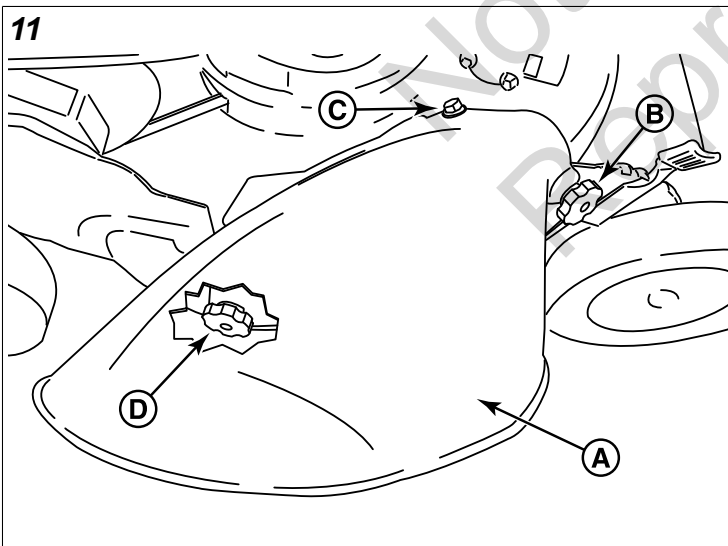
Amputation Hazard

- DO NOT attempt any maintenance, adjustments or service with engine and blade running.
- STOP engine and blade.
- Disconnect spark plug wire and secure away from spark plug.

Burn Hazard

- Engine and components are HOT.
- Avoid serious burns, allow sufficient time for all components to cool.

1. Remove the mulching cover. See **Mulching Operation**.
2. Install the deflector (A, Figure 11) to the deck in place of the mulching cover, making sure that:
 - The front hole (B) on the outside front of the deflector fits over the stud where the front of the mulching cover was originally secured;
 - The slot (C) on top of the deflector slips under the restraining nut on top of the deck (under the right front corner of the engine);
 - The slot (D) on the inside rear of the deflector slips onto the stud behind the rear of the discharge opening, where the rear of the mulching cover was originally secured.
3. Install the internal/external tooth lock washers and knob nuts onto the studs and tighten securely.



WARNING



Thrown Objects Hazard

DO NOT operate without entire Grass Catcher or guard in place. Grass Catcher components are subject to deterioration during normal use. Inspect frequently and replace worn or damaged components immediately.

Installing the Grass Bag Adapter

(Optional Accessory on Some Models)



WARNING



Amputation Hazard

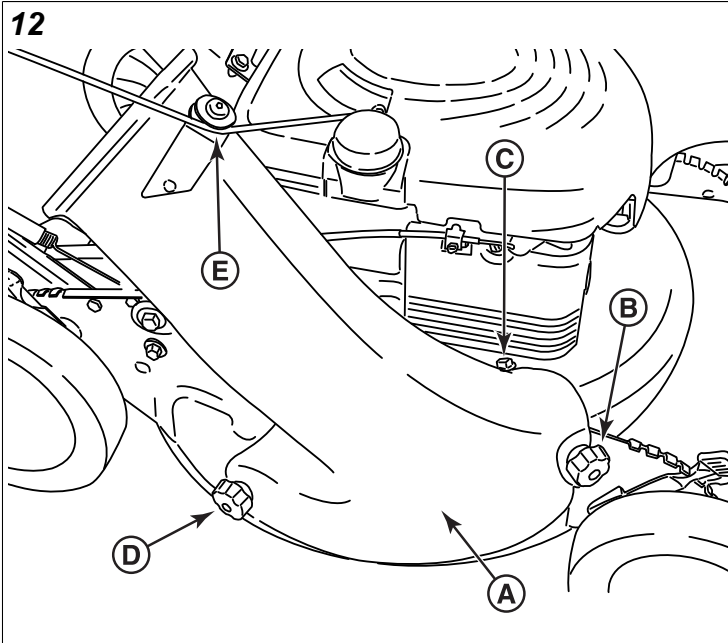
- DO NOT attempt any maintenance, adjustments or service with engine and blade running.
- STOP engine and blade.
- Disconnect spark plug wire and secure away from spark plug.

Burn Hazard

- Engine and components are HOT.
- Avoid serious burns, allow sufficient time for all components to cool.

1. Remove the mulching cover. See **Removing the Mulching Cover**.
2. Install the adapter (A, Figure 12) to the deck in place of the mulching cover, making sure that:
 - The front hole (B) on the outside front of the adapter fits over the stud where the front of the mulching cover was originally secured;
 - The slot (C) on top of the adapter slips under the restraining nut on top of the deck (under the right front corner of the engine);
 - The slot (D) on the rear of the adapter slips onto the stud behind the rear of the discharge opening, where the rear of the mulching cover was originally secured.
3. Install the internal/external tooth lock washers and knob nuts onto the studs and tighten securely.
4. Route the recoil rope around the outside of the rope guide pulley (E).

Note: The recoil rope may need to be slackened. See **Starting the Mower**.



Installing the Mulching Plug

(Optional Accessory on Some Models)



Amputation Hazard

- DO NOT attempt any maintenance, adjustments or service with engine and blade running.
- STOP engine and blade.
- Disconnect spark plug wire and secure away from spark plug.

Burn Hazard

- Engine and components are HOT.
- Avoid serious burns, allow sufficient time for all components to cool.

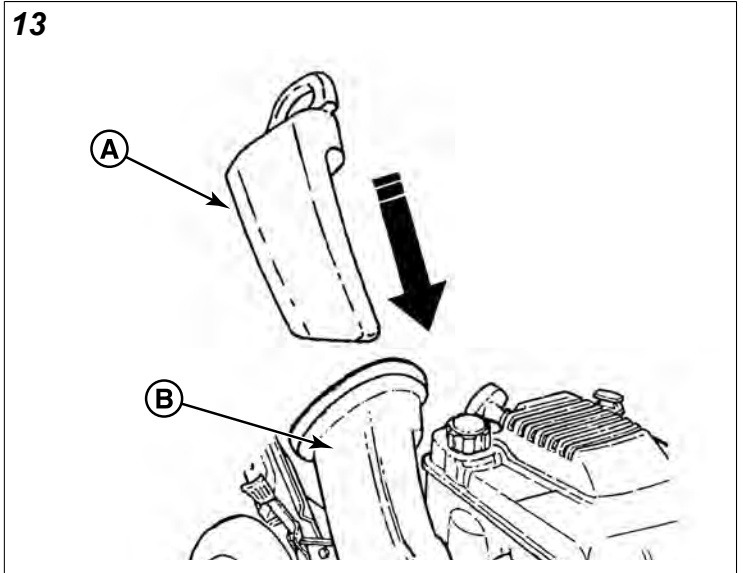
1. Install the mulching plug (A, Figure 13) if mulching is desired after the bag adapter is installed. Install the mulching plug completely and securely into the bag adapter (B).
2. Install the grass bag as a safeguard and to further secure the mulching plug.



Thrown Objects Hazard

Install the grass bag when using the mulching plug. Failure to do so may result in personal injury or death.

3. See **Mulching Operation** .



Installing the Grass Bag

(Optional Accessory on Some Models)



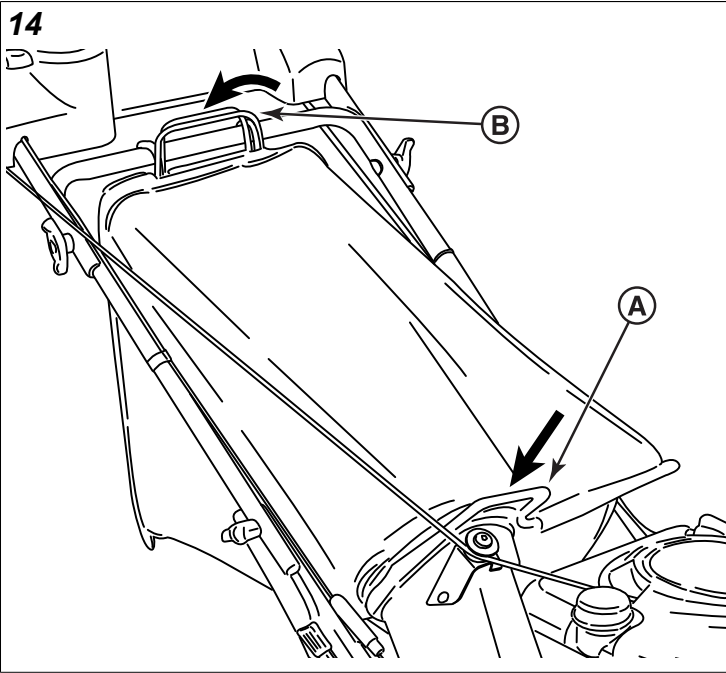
Amputation Hazard

- DO NOT attempt any maintenance, adjustments or service with engine and blade running.
- STOP engine and blade.
- Disconnect spark plug wire and secure away from spark plug.

Burn Hazard

- Engine and components are HOT.
- Avoid serious burns, allow sufficient time for all components to cool.

1. Install the grass bag adapter. See **Installing the Grass Bag Adapter** .
2. Install the grass bag by sliding the connector (A, Figure 14) over the adapter flange.
3. Attach the grass bag hooks (B) over the middle handle cross bar.



! WARNING

Unsafe Operation Hazard

Grass Catcher bags are made of woven fabric, and are subject to deterioration and wear during normal usage. Check condition of bag before each use. Immediately replace worn or damaged catcher bags with only genuine replacement bags. The grass catcher is optional equipment on some models.

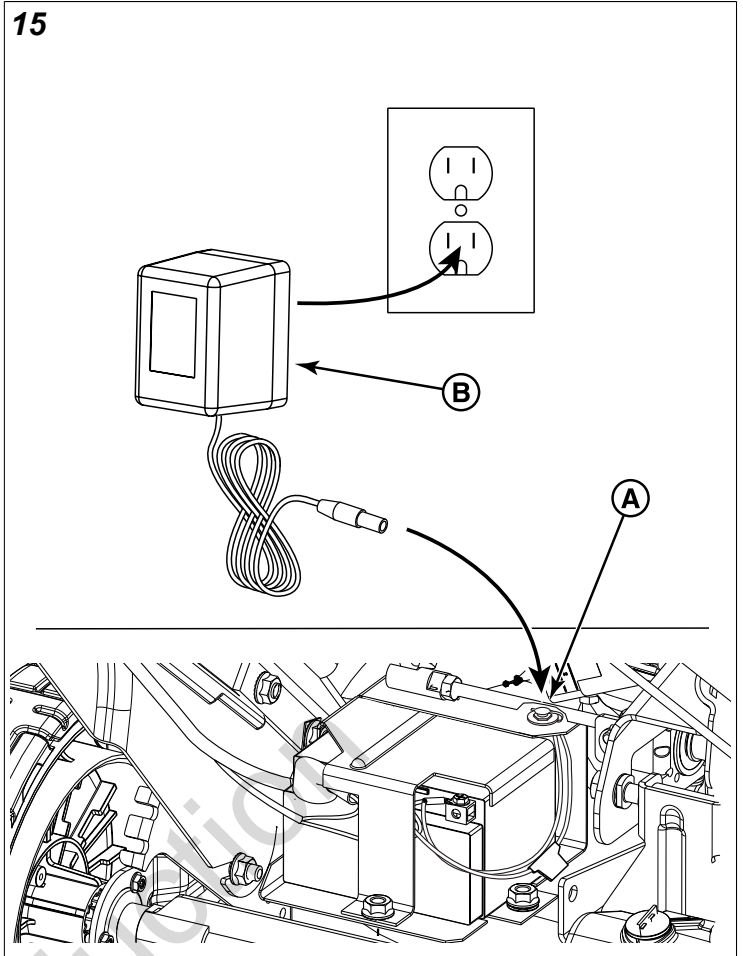
Charging the Battery

(Optional Accessory on Some Models)

The battery provided with your mower is sealed and maintenance-free. It requires no special care other than keeping it properly charged. Use only the charger provided with your mower when charging the battery.

Charge the battery after each use, and if the battery has been stored for longer than 30 days. The time required to charge the battery varies, but typically 16 to 24 hours will be sufficient to bring the battery to a fully charged condition.

1. Remove the dust cap from the charger jack (A, Figure 15).
2. Plug the battery charger (B) into the charger jack.
3. Plug the charger into a 120-volt wall outlet.
4. Charge the battery for a period of 16 to 24 hours. (Longer periods will not damage the battery.)
5. Unplug the charger from the wall outlet.
6. Unplug the charger from the charger jack.
7. Replace the dust cap onto the charger jack.



! WARNING 

Explosion Hazard

Avoid Serious Injury and Property Damage.

- DO NOT attempt to charge this battery with automotive or 'Boost' chargers.
- DO NOT attempt to jump start a mower that has a dead battery.
- Always use the charger supplied with this mower to charge this battery.

Maintenance

Emissions Control Service

Maintenance, replacement, or repair of the emissions control devices and systems may be performed by any off-road engine repair establishment or individual. However, to obtain "no charge" emissions control service, the work must be performed by a factory authorized dealer. See the Emissions Control Statements.

Maintenance Chart



WARNING

Amputation Hazard

- DO NOT attempt any maintenance, adjustments or service with engine and blade running.
- STOP engine and blade.
- Disconnect spark plug wire and secure away from spark plug.

Burn Hazard

- Engine and components are HOT.
- Avoid serious burns, allow sufficient time for all components to cool.

Laceration Hazard

- Wear heavy leather gloves when handling or working around cutting blades.
- Blades are extremely sharp and can cause severe injury.

MOWER
Every 8 Hours or Daily
Check safety interlock system
Clean debris off mower
Every 25 Hours or Annually *
Check mower for loose hardware
See Dealer Annually to
Lubricate mower
Check mower blade **
Check mower blade stopping time
Check drive belt
Clean battery and cables

* Whichever comes first

** Check blade more often in regions with sandy soils or high dust conditions

ENGINE
First 5 Hours
Change engine oil
Every 8 Hours or Daily
Check engine oil level
Every 25 Hours or Annually *
Clean engine air filter and pre-cleaner (if equipped) **
Every 50 Hours or Annually *
Change engine oil
Replace oil filter (if equipped)
Annually
Replace air filter
Replace pre-cleaner (if equipped)
See Dealer Annually to
Inspect muffler and spark arrester (if equipped)
Replace spark plug
Replace fuel filter (if equipped)

ENGINE

Clean engine air cooling system

* Whichever comes first

** Clean more often in dusty conditions or when airborne debris is present

Change Engine Oil



WARNING

Amputation Hazard

- DO NOT attempt any maintenance, adjustments or service with engine and blade running.
- STOP engine and blade.
- Disconnect spark plug wire and secure away from spark plug.

Burn Hazard

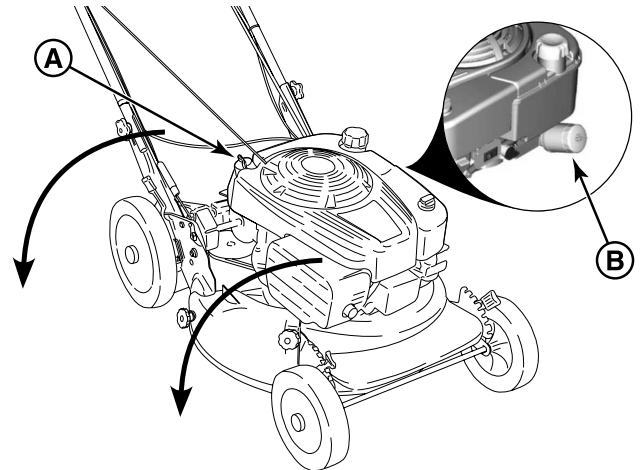
- Engine and components are HOT.
- Avoid serious burns, allow sufficient time for all components to cool.

Laceration Hazard

- Wear heavy leather gloves when handling or working around cutting blades.
- Blades are extremely sharp and can cause severe injury.

1. Drain the fuel tank completely.
2. Remove the dipstick (A, Figure 16), then turn the mower on its side. Allow the oil to drain from the oil fill tube into an appropriate container. Dispose of used oil properly.
3. Place the mower upright, then fill the engine with engine oil to the 'full' mark on the dipstick. Refer to the section entitled 'Oil Recommendations'. Do not overfill.

16



NOTICE

Drain the fuel tank before tipping the machine. DO NOT tip the machine with the carburetor or spark plug down. Oil from the crankcase will saturate the air filter and cause the engine to be hard to start or not start at all. If contamination does occur, the air filter will have to be replaced.

Change Oil Filter

(If Equipped)

1. Drain the oil from the engine. See **Change Engine Oil**.
2. Remove the oil filter (B, Figure 16) and dispose of properly.
3. Before you install the new oil filter, lightly lubricate the oil filter gasket with fresh, clean oil.
4. Install the oil filter by hand until the gasket contacts the oil filter adapter, then tighten the oil filter 1/2 to 3/4 turns.
5. Add oil. See **Change Engine Oil**.
6. Start and run the engine. As the engine warms up, check for oil leaks.
7. Stop the engine and check the oil level. It should be at the top of the full indicator on the dipstick.

Service Air Filter



Fire Hazard

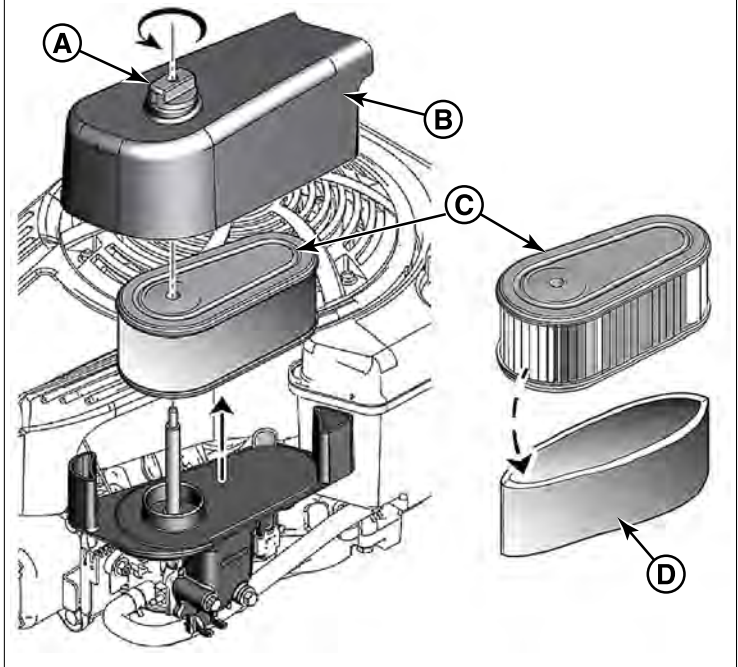
Never start or run the engine with the air cleaner assembly (if equipped) or the air filter (if equipped) removed.

NOTICE

Do not use pressurized air or solvents to clean the filter. Pressurized air can damage the filter and solvents will dissolve the filter.

1. Remove the fastener (A, Figure 17) and the air filter cover (B).
2. Remove the pre-cleaner (C) and the filter (D).
3. To loosen debris, gently tap the filter on a hard surface. If the filter is excessively dirty, replace with a new filter.
4. Wash the pre-cleaner in liquid detergent and water. Then allow it to thoroughly air dry. Do not oil the pre-cleaner.
5. Assemble the dry pre-cleaner to the filter.
6. Install the filter and pre-cleaner into the base (E). Make sure filter fits securely in the base.
7. Install air filter cover and secure with fastener. Make sure the fastener is tight.

17



Service Air Filter

See Figure: 18, 19



Fuel and its vapors are extremely flammable and explosive.

Fire or explosion can cause severe burns or death.

- Never start and run the engine with the air cleaner assembly (if equipped) or the air filter (if equipped) removed.

NOTICE Do not use pressurized air or solvents to clean the filter. Pressurized air can damage the filter and solvents will dissolve the filter.

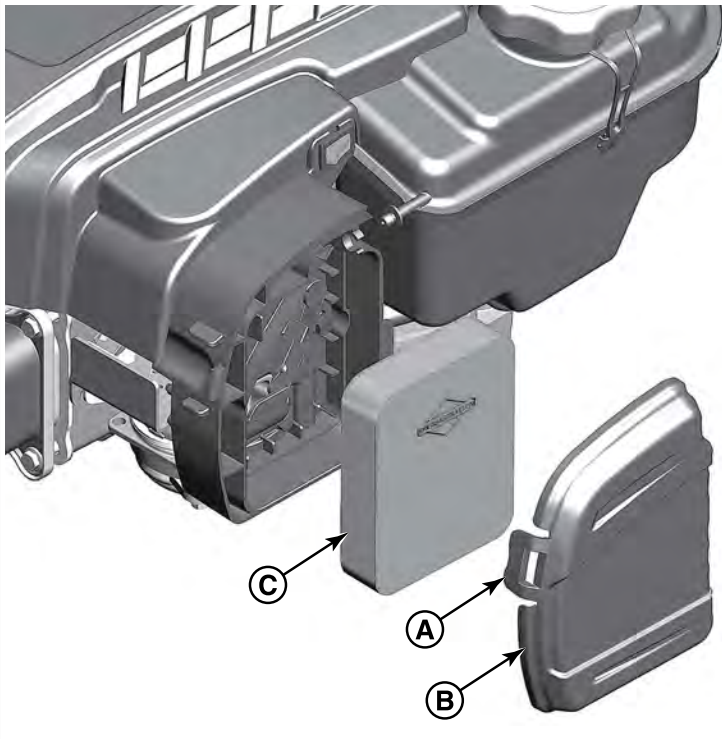
See the **Maintenance Schedule** for service requirements.

Various models use either a foam or a paper filter. Some models may also have an optional pre-cleaner that can be washed and reused. Compare the illustrations in this manual with the type installed on your engine and service as follows.

Foam Air Filter

1. Open the fastener(s) (A, Figure 18).

18

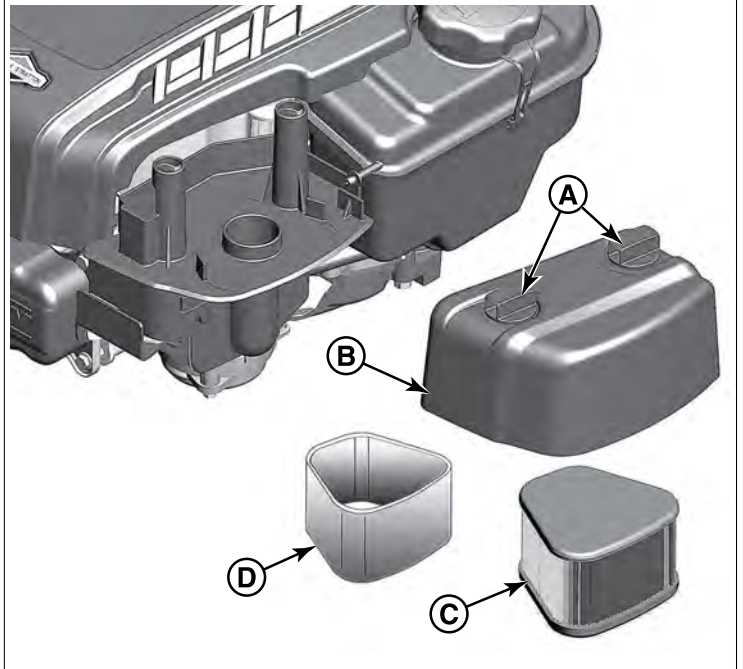


2. Remove the cover (B, Figure 18).
3. To prevent debris from falling into the carburetor, carefully remove the foam element (C, Figure 18) from the air filter base.
4. Wash the foam element (C, Figure 18) in liquid detergent and water. Squeeze dry the foam element in a clean cloth.
5. Saturate the foam element (C, Figure 18) with clean engine oil. To remove the excess engine oil, squeeze the foam element in a clean cloth.
6. Install the foam element (C, Figure 18) onto the air filter base.
7. Install the cover (B, Figure 18) and secure with fastener(s) (A).

Paper Air Filter

1. Loosen the fastener(s) (A, Figure 19).

19



2. Remove the cover (B, Figure 19).
3. To prevent debris from falling into the carburetor, carefully remove the pre-cleaner (D, Figure 19) and the filter (C) from the air filter base.
4. Remove the pre-cleaner (D, Figure 19), if equipped, from the filter (C).
5. To loosen debris, gently tap the filter (C, Figure 19) on a hard surface. If the filter is excessively dirty, replace with a new filter.
6. Wash the pre-cleaner (D, Figure 19), if equipped, in liquid detergent and water. Allow the pre-cleaner to thoroughly air dry. **Do not** oil the pre-cleaner.
7. Assemble the dry pre-cleaner (D, Figure 19), if equipped, to the filter (C).
8. Install the filter (C, Figure 19) and the pre-cleaner (D), if equipped, onto the air filter base. Make sure the filter fits securely on the air filter base.
9. Install the cover (B, Figure 19) and secure with the fastener(s) (A). Make sure the fastener(s) is tight.

Check Safety Interlock System

1. Start the mower.
2. Release the blade control. The engine must stop within 3 seconds.



WARNING

Unsafe Operation Hazard

If the engine does not stop within 3 seconds, do not use the mower. Bring the mower to an authorized dealer for service.

Clean Debris Off Mower



Amputation Hazard

- DO NOT attempt any maintenance, adjustments or service with engine and blade running.
- STOP engine and blade.
- Disconnect spark plug wire and secure away from spark plug.

Burn Hazard

- Engine and components are HOT.
- Avoid serious burns, allow sufficient time for all components to cool.

Laceration Hazard

- Wear heavy leather gloves when handling or working around cutting blades.
- Blades are extremely sharp and can cause severe injury.

1. Clean dirt and debris from the top of the mower deck.
2. Clean any debris buildup on or around the engine, etc.

While cleaning, check components for wear or damage. Replace worn or damaged components immediately.

Storage Procedure



Amputation Hazard

- DO NOT attempt any maintenance, adjustments or service with engine and blade running.
- STOP engine and blade.
- Remove battery (if equipped).

Burn Hazard

- Engine and components are HOT.
- Avoid serious burns, allow sufficient time for all components to cool.

Laceration Hazard

- Wear heavy leather gloves when handling or working around cutting blades.
- Blades are extremely sharp and can cause severe injury.

Prepare the mower for end-of-season storage as follows:

1. Disconnect the spark plug wire and secure away from the spark plug.
2. Drain the fuel tank and let the engine run until all fuel is out of the carburetor.

Note: If using a fuel stabilizer, there is no need to drain the fuel tank. See **Storage - Fuel System**.

3. Use a brush or compressed air to remove loose debris, then use a damp cloth to wipe down the unit.
4. Tilt the mower up on its rear wheels and inspect the underside of the deck. (Do not tilt the mower with the

spark plug or carburetor down.) Scrape away stubborn accumulation of grass with a putty knife and/or wire brush.

5. Lubricate all exposed metal with a light coating of oil to prevent corrosion.
6. Carefully fold the handles, flexing the control cables to prevent cable damage.
7. Store the mower in a shed or other dry area, protected from weather.

NOTICE Do not stand unit on end.

Storage - Fuel System

Fuel can become stale when kept in a storage container for more than 30 days. Each time you fill the container with fuel, add STA-BIL 360[®] PROTECTION™ to the fuel as specified by the manufacturer's instructions. This keeps fuel fresh and decreases fuel-related problems or contamination in the fuel system.

It is not necessary to drain fuel from the engine when STA-BIL 360[®] PROTECTION™ is added as instructed. Before storage, turn the engine ON for 2 minutes to move the fuel and stabilizer through the fuel system.

Service



Amputation Hazard

- DO NOT attempt any maintenance, adjustments or service with engine and blade running.
- STOP engine and blade.
- Disconnect spark plug wire and secure away from spark plug.

Burn Hazard

- Engine and components are HOT.
- Avoid serious burns, allow sufficient time for all components to cool.

Laceration Hazard

- Wear heavy leather gloves when handling or working around cutting blades.
- Blades are extremely sharp and can cause severe injury.

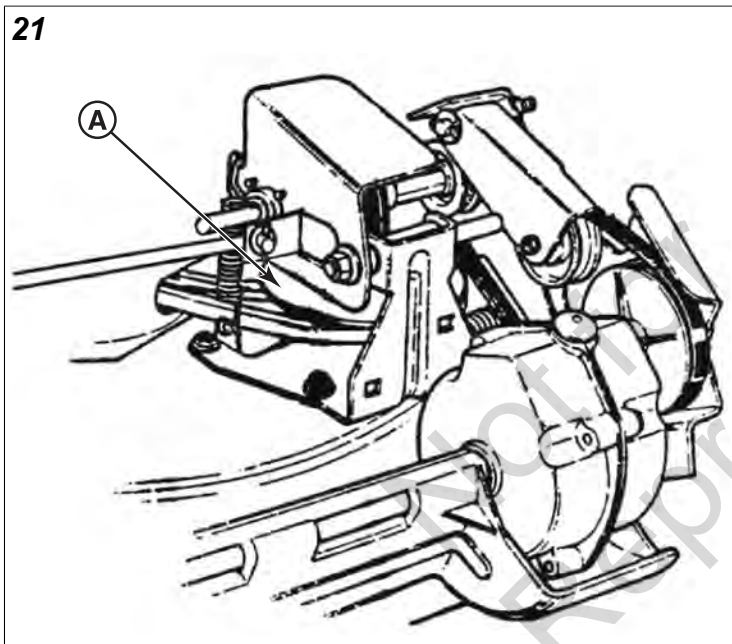
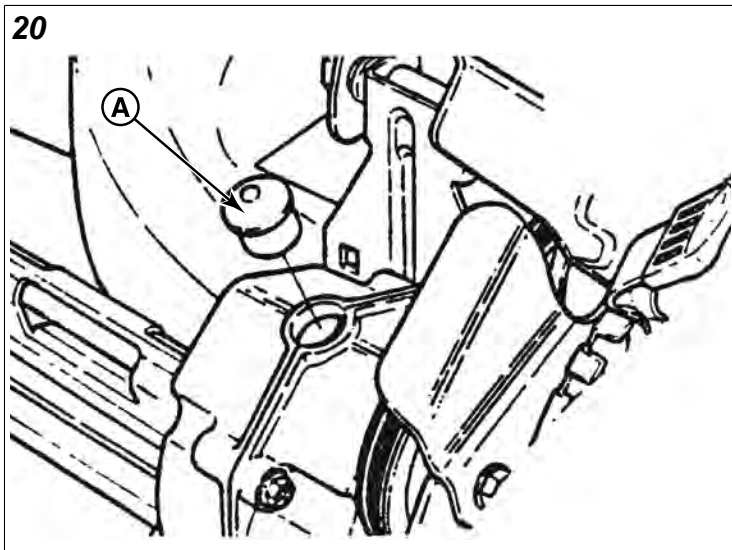
Check Grease Level in Transmission

1. Remove the transmission fill plug (A, Figure 20). Roll the machine forward or backward while looking down into the plug hole.
2. If liquid grease is not visible on the input gear (the small gear below the plug hole), add an amount, to cover the gear, of Snapper "00" grease.

Note: Snapper "00" grease (Part No. 7029443) is available at your dealer.

Note: Do not spill grease or oil onto the surface of the drive disc (A, Figure 21).

3. Reinstall the transmission plug.
4. Check the grease level after each 25 hours of operation.



Check Mower Blade

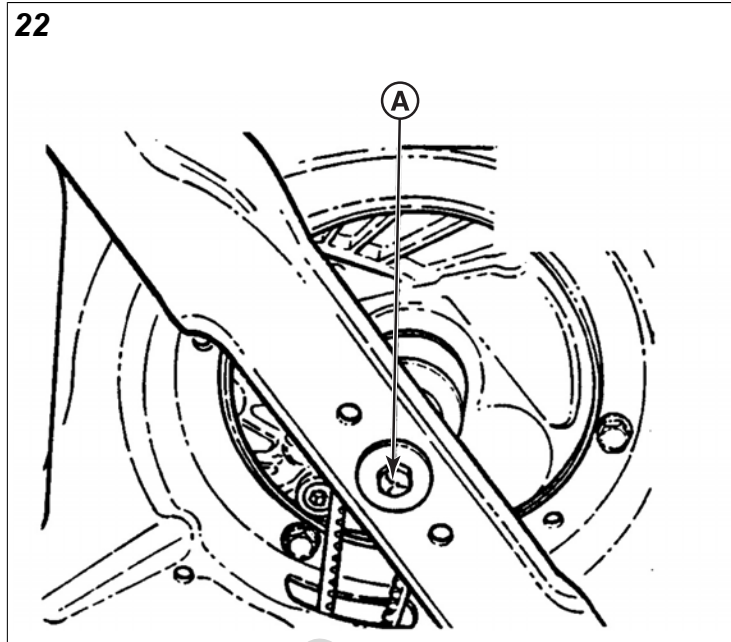
1. Disconnect the spark plug wire and secure the end away from the plug.
2. Tilt the mower up on its rear wheels for access to the blade cap screw (A, Figure 22). Do not tilt the mower with the spark plug or carburetor down.

NOTICE

Drain the fuel tank before tipping the mower. DO NOT tip the machine with the carburetor or spark plug down. Oil from the crankcase will saturate the air filter and cause the engine to be hard to start or not start at all. If contamination does occur, the air filter will have to be replaced.

3. Check the torque of the blade cap screw. Recommended torque: 40 lb-ft (54 Nm).

4. Check the blade for sharpness, wear and damage. See **Blade Wear Limits**.



Check Engine Drive Belt

- Visually check the engine drive belt for cracking, fraying, severed or exposed belt strands. If worn or damaged, replace the belt before operating the mower.

Check Transmission Drive Belt

- Visually check the poly-v belt for cracking, fraying, severed or exposed belt strands. If worn or damaged, replace the belt before operating the mower.

Mower Blade Replacement



WARNING

Amputation Hazard

- DO NOT attempt any maintenance, adjustments or service with engine and blade running.
- STOP engine and blade.
- Disconnect spark plug wire and secure away from spark plug.

Burn Hazard

- Engine and components are HOT.
- Avoid serious burns, allow sufficient time for all components to cool.

Laceration Hazard

- Wear heavy leather gloves when handling or working around cutting blades.
- Blades are extremely sharp and can cause severe injury.



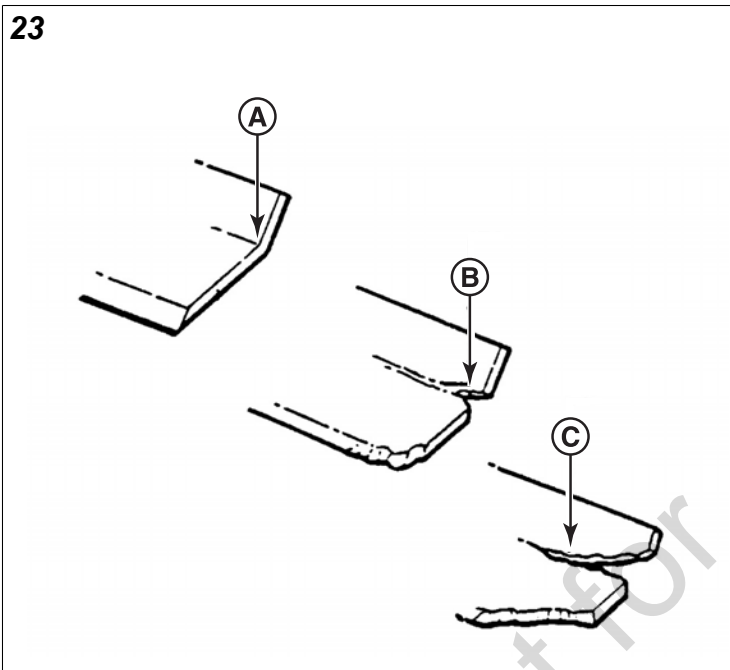
WARNING

Unsafe Operation Hazard

DO NOT use a cutting blade that shows signs of excessive wear or damage.

Standard Blade Wear Limit

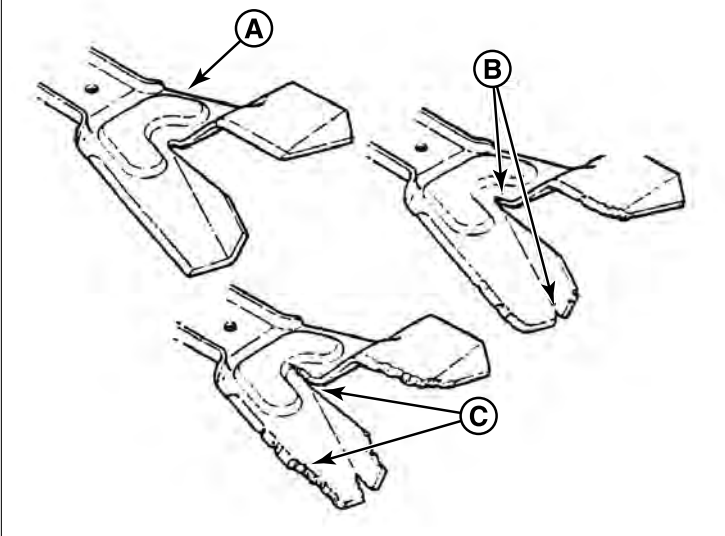
1. Inspect the blade (Figure 23) frequently for signs of excessive wear or damage:
 - (A) New blade
 - (B) Wear limit (notch starts)
 - (C) Dangerous condition! Do not use on the mower! Replace with a new blade.



Ninja Blade Wear Limit

1. Inspect the blade (Figure 24) frequently for signs of excessive wear or damage:
 - (A) New blade
 - (B) Wear limit (cracks or notches begin to appear on tip)
 - (C) Dangerous condition! Do not use on the mower! Replace with a new blade.

24



Blade Sharpening

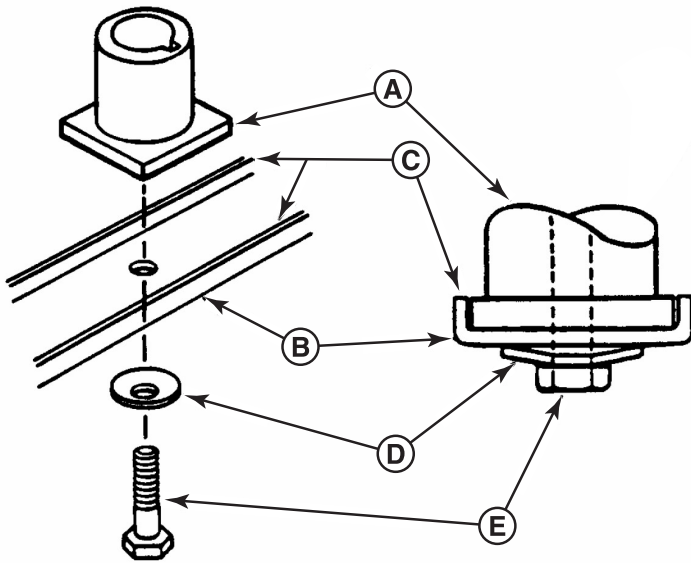
1. Disconnect the spark plug wire and secure the end away from the plug.
2. Tilt the mower up on its rear wheels. Do not tilt the mower with the spark plug or carburetor down.

NOTICE

Drain the fuel tank before tipping the mower. DO NOT tip the machine with the carburetor or spark plug down. Oil from the crankcase will saturate the air filter and cause the engine to be hard to start or not start at all. If contamination does occur, the air filter will have to be replaced.

3. Remove the blade (B, Figure 25).
4. Sharpen the blade on a grinding wheel at an angle of 22 to 28 degrees (B, Figure 26). DO NOT sharpen the blade beyond the original cutting edge (A).
5. Check blade for balance. If necessary, correct balance by grinding heavy end of blade.
6. Reinstall blade (B, Figure 25). Note the correct assembly order:
 - (A) Blade hub
 - (B) Blade
 - (C) Blade flange (facing up)
 - (D) Cone washer (concave side up)
 - (E) Capscrew
7. Check torque of blade retaining cap screw. Recommended torque: 40 lb-ft (54 Nm).

25



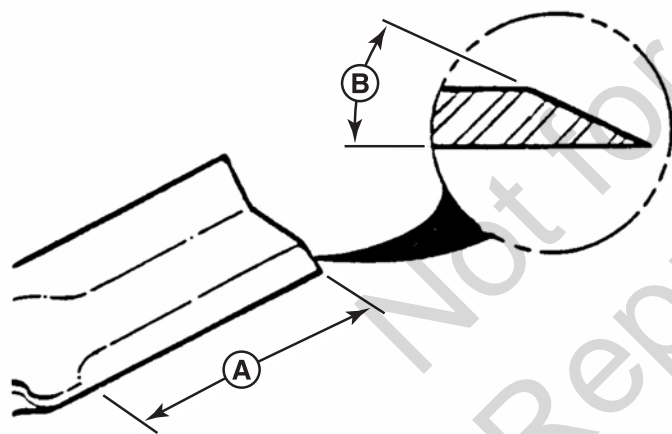
of the clutch cable eye (C) with the wheel drive control released.

2. To adjust, unhook the upper spring (D) from the cable eye and rotate the spring in the direction required to extend or shorten the spring length.
3. Rehook the upper spring to the cable eye and check clearance. Repeat the procedure if required.

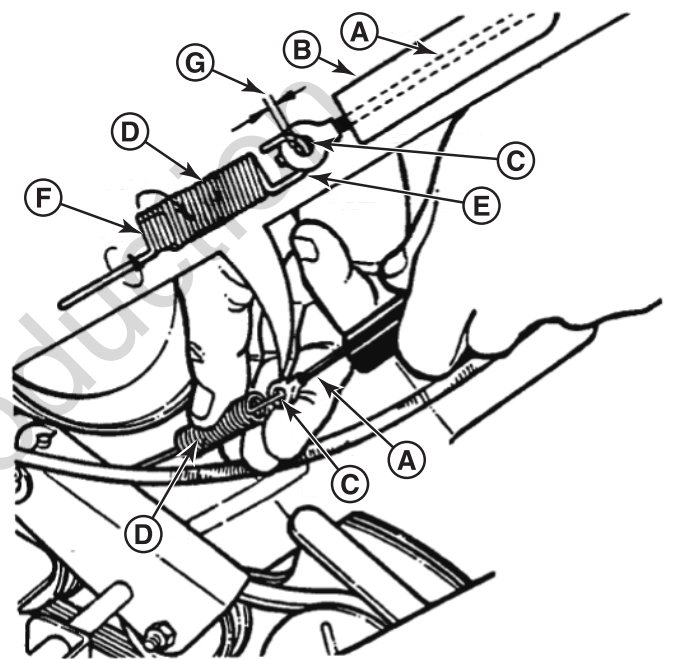
Note: The vinyl spring cover (B) should be kept over the spring at all times except for adjustments.

4. If the wheel drive control fails to return quickly to the OFF position when released, check for binding at the cable holdings located on the side of the right handle. The upper clip should be located 2" (5 cm) below the upper knob; the lower clip should be 4" (10 cm) above the lower knob. The cable should slide freely with the clips installed at these locations.

26



27



Wheel Drive Control Adjustment



WARNING

Amputation Hazard

- DO NOT attempt any maintenance, adjustments or service with engine and blade running.
- STOP engine and blade.
- Disconnect spark plug wire and secure away from spark plug.

Burn Hazard

- Engine and components are HOT.
- Avoid serious burns, allow sufficient time for all components to cool.

1. The wheel drive control is properly adjusted when there is 1/16" to 1/8" (1.6 - 3.2 mm) clearance (G, Figure 27) between the inside of the spring hook (E) and the inside

Driven and Drive Disc Service



WARNING

Amputation Hazard

- DO NOT attempt any maintenance, adjustments or service with engine and blade running.
- STOP engine and blade.
- Disconnect spark plug wire and secure away from spark plug.

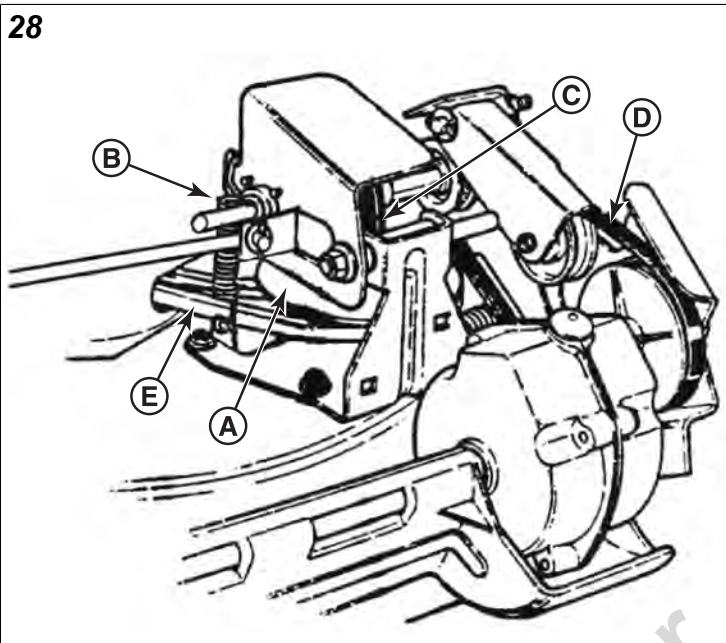
Burn Hazard

- Engine and components are HOT.
- Avoid serious burns, allow sufficient time for all components to cool.

If the mower does not propel itself properly, check for the following problems:

1. Grease on the drive disc (A, Figure 28) causing slippage.
2. Broken or disconnected drive spring (B).
3. Driven disc (C) is out of adjustment.
4. Driven disc rubber is worn - does not contact drive disc properly.
5. Worn Poly-V belt (D) or engine drive belt (E).

28



If any of the above (1 thru 5) are causing problems, service as follows:

Cleaning Drive Disc and Driven Disc

If oil or grease on the drive disc or driven disc is causing slippage, clean the discs as follows:

1. Wipe away any oil or grease with a clean cloth.
2. Use either an approved grease solvent or hot, soapy water to clean drive disc or driven disc.
3. Rinse components with clean water.
4. Dry components with a clean cloth.

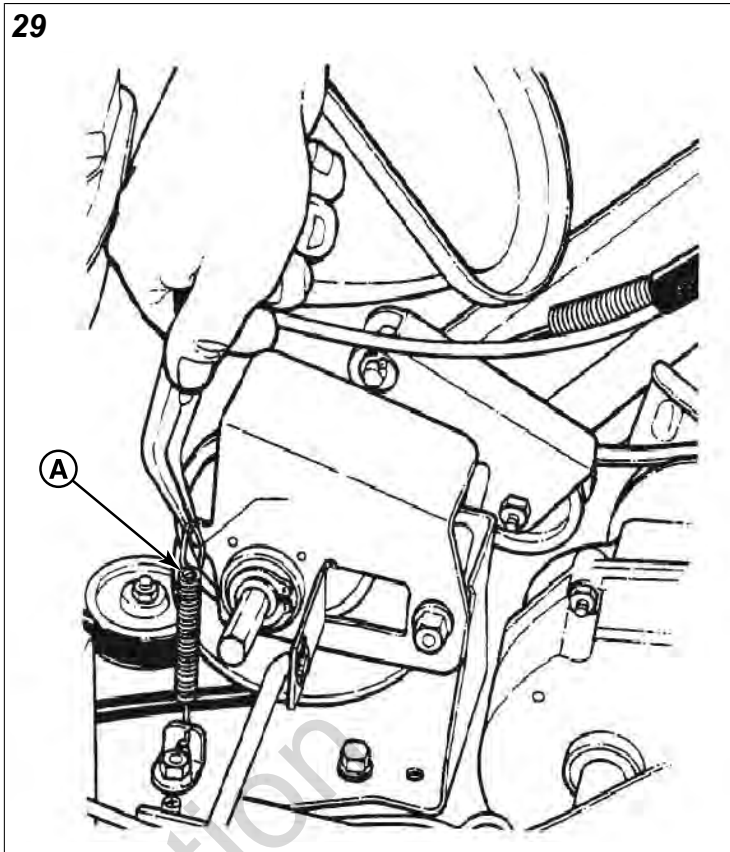
Drive Spring Repair / Replacement

If the drive spring (A, Figure 29) is loose, reconnect. If the spring is broken, replace with a new spring.

Note: Use a pair of needle nose pliers to install the drive spring.

If the drive system continues slipping, see **Troubleshooting**

29

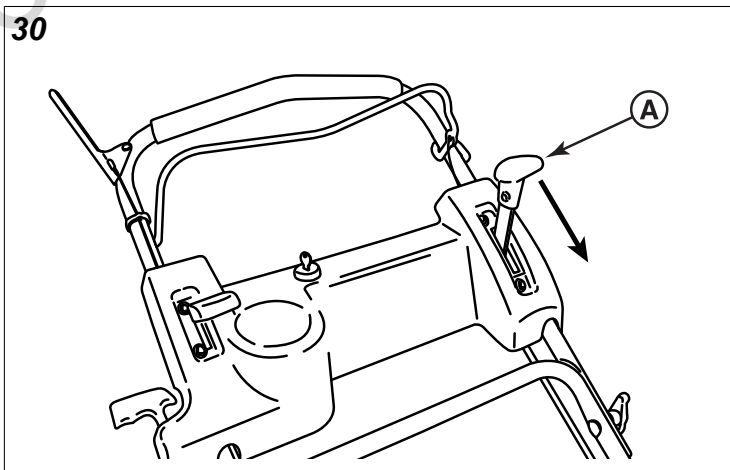


Driven Disc Adjustment

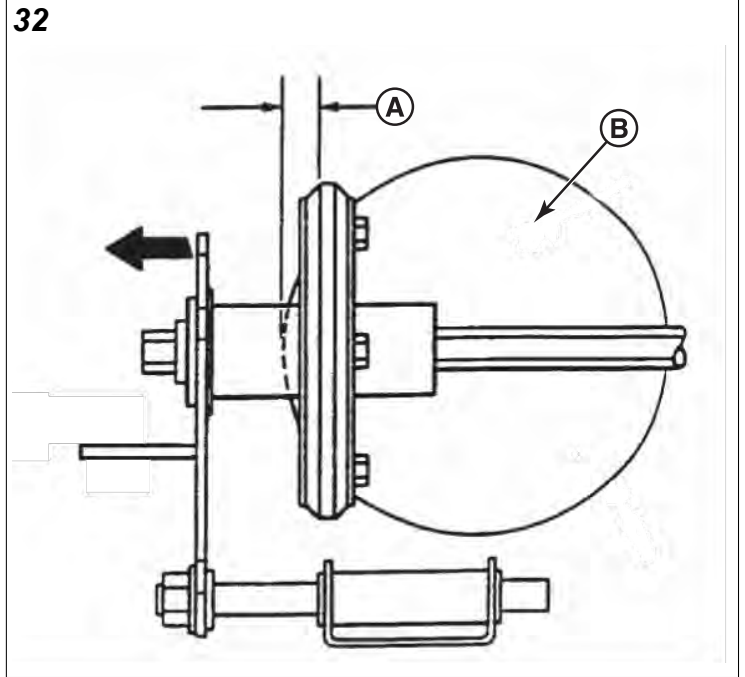
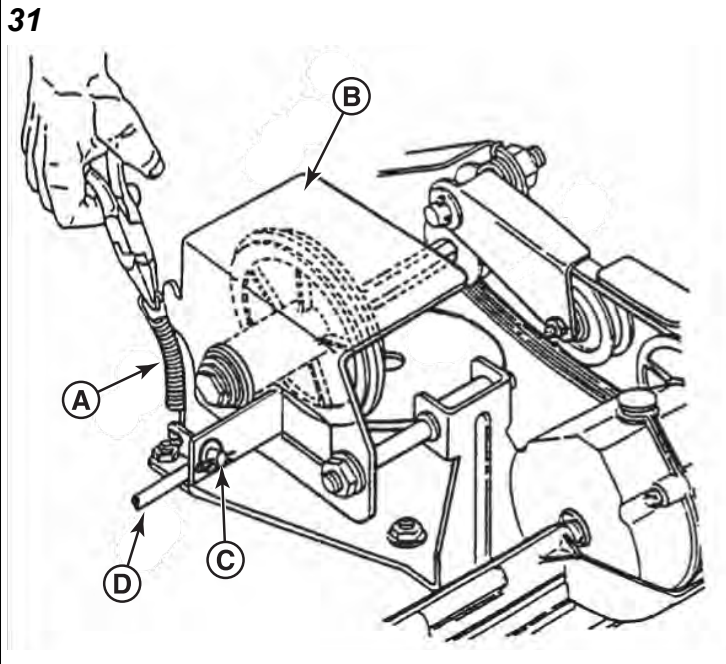
If the drive disc and driven disc are clean and the mower drive is still slipping, adjust the driven disc as follows:

1. Move the ground speed control (A, Figure 30) into the FAST position.

30



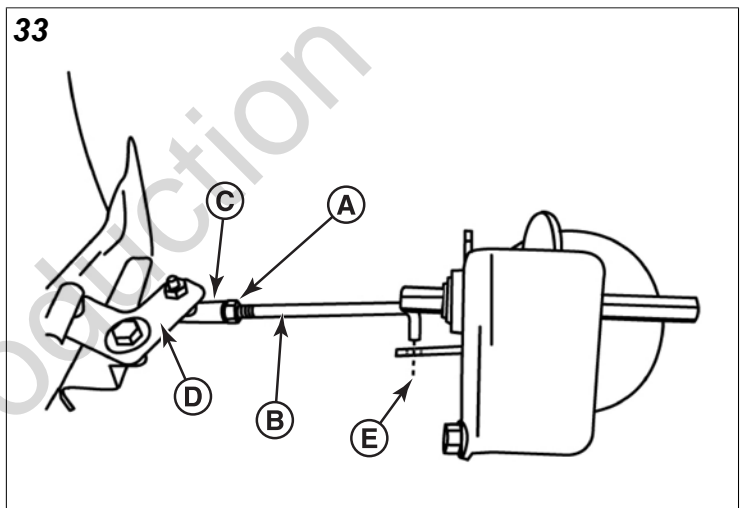
2. Remove the driven disc spring (A, Figure 31) from the driven disc assembly (B). Also remove the pin and washer (C) from the transfer rod (D), and remove the end of the transfer rod from the hole in the driven disc assembly.



3. Slide the driven disc assembly over to 1/8" (3.2 mm) (A, Figure 32) from the outside edge of the drive disc (B).
4. Loosen the jam nut (A, Figure 33) securing the transfer rod (B) to the ball joint (C) on the pivot bracket (D).
5. Turn the rod in or out of the ball joint until the end of the rod aligns with the hole (E) in the driven disc assembly from which the rod was removed.

Note: Do not move the pivot bracket.

6. Reinstall the rod as removed in Step 2. Move the ground speed control to the SLOW position, then back to the FAST position. Recheck the 1/8" (3.2 mm) measurement described previously. Readjust as needed. Tighten the nut when finished.
7. Reinstall the driven disc spring to the driven disc assembly.



Driven Disc Replacement



WARNING

Amputation Hazard

- DO NOT attempt any maintenance, adjustments or service with engine and blade running.
- STOP engine and blade.
- Disconnect spark plug wire and secure away from spark plug.

Burn Hazard

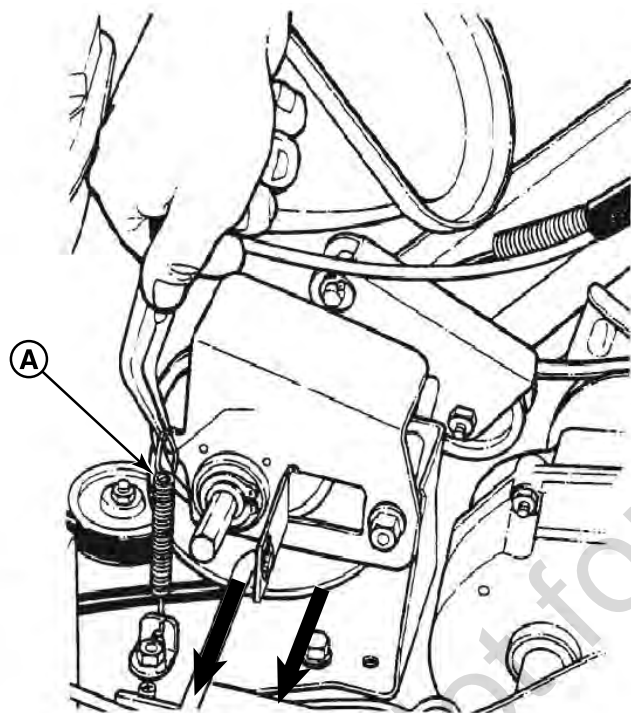
- Engine and components are HOT.
- Avoid serious burns, allow sufficient time for all components to cool.

If the rubber on the driven disc is badly chunked or worn, it must be replaced. Install a new driven disc as follows:

1. Remove the pin and washer (C, Figure 31) from the transfer rod (D), and remove the end of the transfer rod from the hole in the driven disc assembly.

- Using needle nose pliers, unhook the drive spring (A, Figure 34) and slide the driven disc assembly off the hex shaft.
- Remove the two snap rings (A, Figure 35) which secure the rubber driven disc (B) to the driven disc assembly.
- Install a new rubber driven disc onto the driven disc assembly, and secure with the retaining rings.
- Reverse the above procedures for reassembly and installation of the driven disc assembly.

34



Driven Disc Bearing Replacement



Amputation Hazard

- DO NOT attempt any maintenance, adjustments or service with engine and blade running.
- STOP engine and blade.
- Disconnect spark plug wire and secure away from spark plug.

Burn Hazard

- Engine and components are HOT.
- Avoid serious burns, allow sufficient time for all components to cool.

The bearing on these machines is staked into the thrust plate. The bearing will have to be driven out with a mallet and a large punch. A new bearing with four retaining screws will have to be purchased to replace existing bearing.

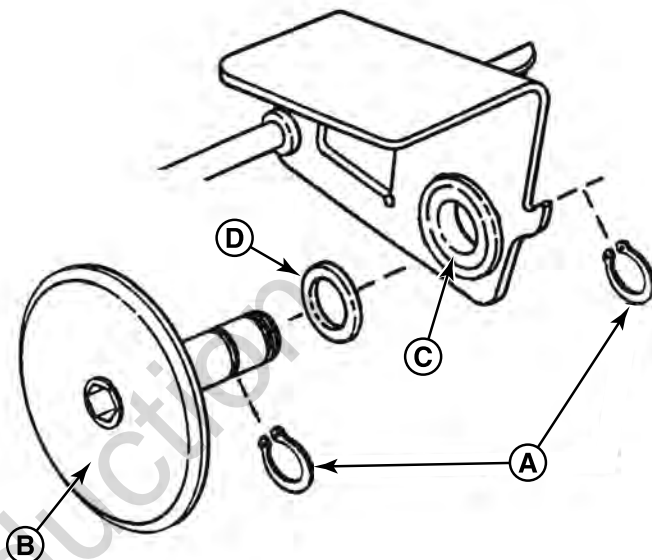
If the driven disc bearing requires replacement, replace the bearing as follows:

- Remove the driven disc assembly. See **Driven Disc Replacement**.

- Remove both snap rings (A, Figure 35) that secure the rubber driven disc (B) to the thrust plate.
- Slide the rubber driven disc hub out of the bearing.
- Drive out the existing bearing (C).
- Install a new bearing and secure to the thrust plate with four retaining screws. Tighten the screws securely.
- Reassemble the components in reverse order.

Note: Be sure to replace the shim washer (D) when reassembling the driven disc assembly.

35



Replacing the Bearing on the Pulley End of the Hex Shaft



Amputation Hazard

- DO NOT attempt any maintenance, adjustments or service with engine and blade running.
- STOP engine and blade.
- Disconnect spark plug wire and secure away from spark plug.

Burn Hazard

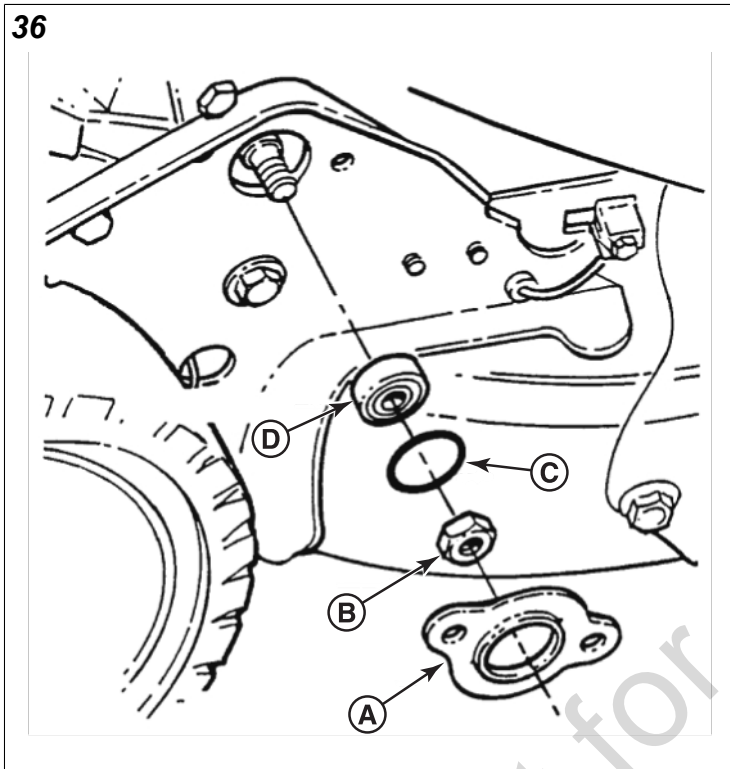
- Engine and components are HOT.
- Avoid serious burns, allow sufficient time for all components to cool.

The bearing on these machines is staked into the thrust plate. The bearing will have to be driven out with a mallet and a large punch. A new bearing with four retaining screws will have to be purchased to replace existing bearing.

To replace the bearing on the pulley end of the hex shaft:

- Hold the hex shaft with an adjustable wrench held next to the pulley.
- Remove the 3/8" hex lock nut (B, Figure 36), located on the outside of the right wheel bracket.

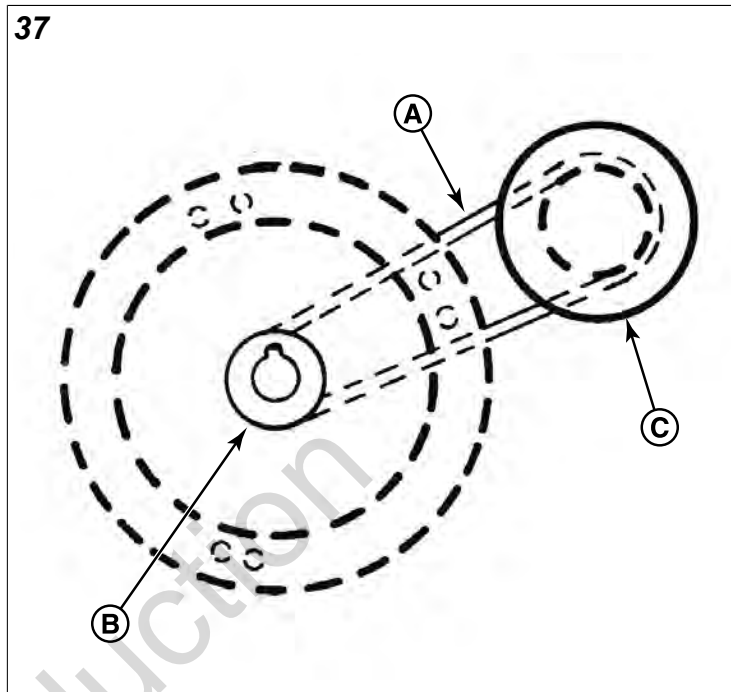
3. Remove the holder (A), O-ring (C) and bearing (D).
4. Install the new bearing.
5. Carefully install the new O-ring over the outside of the new bearing.
6. Install the bearing holder, and secure with screws.
7. Install the 3/8" hex lock nut.



2. Note the belt routing (Figure 37). There is no idler pulley on these models to disconnect.

NOTICE

Drain the fuel tank before tipping the mower. DO NOT tip the machine with the carburetor or spark plug down. Oil from the crankcase will saturate the air filter and cause the engine to be hard to start or not start at all. If contamination does occur, the air filter will have to be replaced.



Belt Service



WARNING

Amputation Hazard

- DO NOT attempt any maintenance, adjustments or service with engine and blade running.
- STOP engine and blade.
- Disconnect spark plug wire and secure away from spark plug.

Burn Hazard

- Engine and components are HOT.
- Avoid serious burns, allow sufficient time for all components to cool.

On self-propelled mowers, the engine belt (A, Figure 37) transmits power from the engine pulley (B) to the drive disc (C). The drive disc powers the poly-v belt, which engages the transmission that powers the rear wheels. Should these belts become worn, they could cause slippage, which would impair mower performance. The condition of the engine belt and poly-v belt should be checked after every 25 hours of mower operation.

Engine Drive Belt Replacement (Stretch Type Belts)

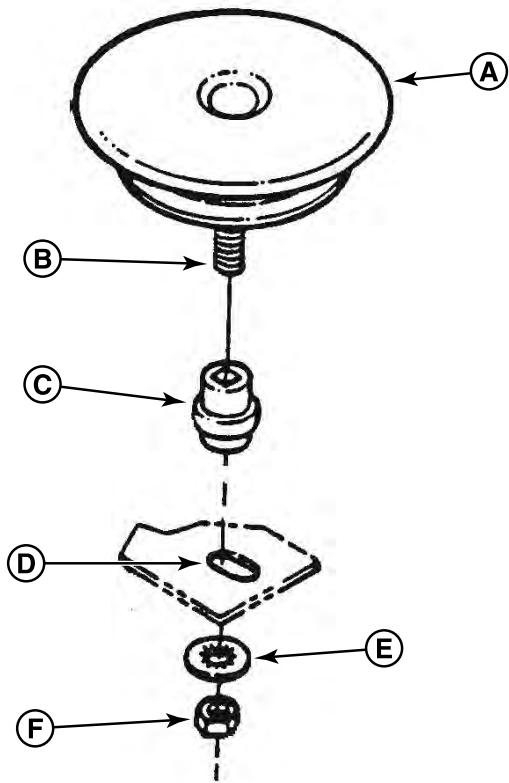
1. Empty the fuel tank.

3. Remove the driven disc. See **Driven Disc Replacement** for driven disc removal procedure.
4. Drain the fuel tank before tipping the mower. Do not tilt the mower with the spark plug or carburetor down. Tilt the mower up on its rear wheels and remove the blade and blade hub. Assistance from another person may be necessary to hold the mower in the tilted position.
5. Hold the slotted end of the drive disc bolt (B, Figure 38) with a screwdriver and remove the nut (F) and internal tooth lock washer (E).
6. Remove the belt cover, located under the deck.
7. Lift the drive disc (A) up and remove the worn belt.
8. Loop one end of the new belt over the engine pulley and insert the other end through the slot in the deck.
9. Loop the belt around the pulley on the bottom of the drive disc.
10. Reinstall the drive disc and retaining hardware.

Note: 1) The square shoulder of the drive disc bolt must fit into the square hole of the bushing (C). 2) The square end of the bushing must fit into the bracket slot (D).

11. Reinstall the belt cover and tighten the bolts securely.
12. Reinstall the blade hub and cutter blade. Recommended torque for the blade cap screw is 40 lb-ft (54 Nm).

38

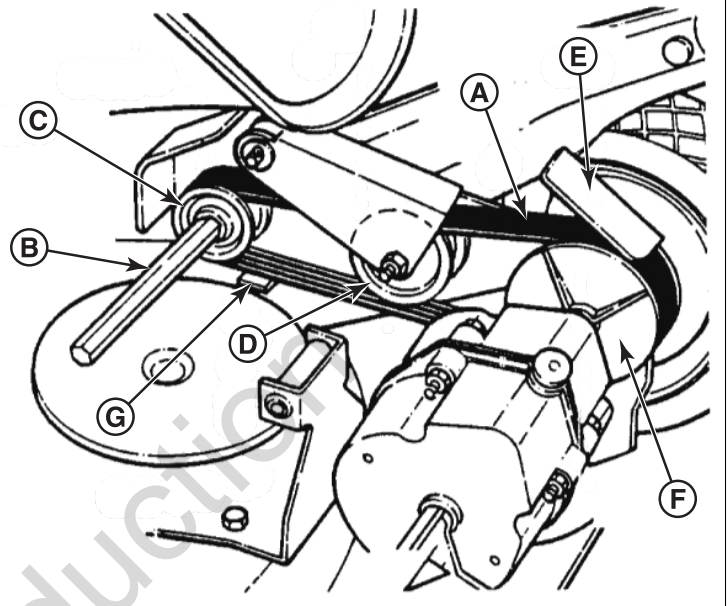


Transmission Poly-V Belt Replacement

1. Remove the driven disc. See *Driven Disc Replacement*

2. Note the routing of the old belt around the three pulleys before removing it.
3. Place the new Poly-V Belt (A, Figure 39) over the end of the hex shaft (B) and onto the drive pulley (C).
4. Work the belt onto the top of the idler pulley (D).
5. Twist the belt sideways and pull it upward between the differential bracket (E) and driven pulley (F) and then down into the pulley groove. Make sure the Poly-V Belt is above the belt guide (G).

39



Troubleshooting

Problem	Probable Cause	Corrective Action
Engine Will Not Start Using Recoil Starter	1. Fuel tank empty.	1. Fill fuel tank with fresh fuel.
	2. Spark plug wire disconnected.	2. Place spark plug wire onto spark plug.
Engine Will Not Start (Electric Start Models)	1. Fuel tank empty.	1. Fill fuel tank with fresh fuel.
	2. Spark plug wire disconnected.	2. Place spark plug wire onto spark plug.
	3. Wiring harness disconnected.	3. Connect wiring harness.
	4. Battery dead.	4. Charge or replace battery.
Engine Stalls or Stops After Running	1. Blade control is released or is not being held securely against handle.	1. Blade control should be held securely against handle at all times during operation of mower.
	2. Fuel tank empty.	2. Fill with fuel to proper level.
	3. Engine air pre-cleaner and or air cleaner dirty.	3. Clean free of all debris.
	4. Spark plug defective or gap set improperly.	4. Service spark plug.
	5. Water, debris or stale fuel in fuel system.	5. Drain and clean fuel system.
Engine Loses Power	1. Engine air pre-cleaner or air cleaner dirty.	1. Clean or replace filters.
	2. Spark plug faulty.	2. Service spark plug.
	3. Water, debris or stale fuel in fuel system.	3. Drain and clean fuel system.
Excessive Vibration	1. Damaged, out of balance or bent mower blade.	1. Service mower blade.
	2. Loose blade components.	2. Service and tighten loose parts.
	3. Loose or missing air lift (if equipped).	3. Replace air lifts. Tighten to proper torque.
	4. Lumpy or frayed belt.	4. Replace belt.
Mower Will Not Move Loss Of Traction	1. Build-up of debris on or around wheel drive components.	1. Clean debris.
	2. Driven disc slipping.	2. Clean or replace driven disc.
	3. Drive belt requires replacement.	3. Replace drive belt.
	4. Damaged transmission.	4. Contact authorized dealer.
Cutting Grass Improperly	1. Cutting height too low or high.	1. Adjust cutting height.
	2. Engine speed too slow.	2. Move engine speed control to 'Fast' position.
	3. Forward ground speed too fast.	3. Move ground speed control to a slower speed.
	4. Terraced cut, side to side.	4. Adjust height of cut with height adjust levers.
	5. Excessive deck pitch, front to rear.	5. Adjust height of cut with height adjust levers.
	6. Cutting blade dull or damaged.	6. Sharpen cutting edges or replace blade.
Poor Grass Discharge	1. Engine speed too fast.	1. Move engine speed control to 'Fast' position.
	2. Forward speed too fast.	2. Move ground speed control to a slower speed.
	3. Grass is wet.	3. Mow when grass is dry.
	4. Excessively worn or damaged blade.	4. Service mower blade.
	5. Build up of grass clippings and debris under deck.	5. Clean deck.
	6. Improper blade installed on deck.	6. Install proper blade.
	7. Blade installed improperly on deck.	7. Install blade properly.
Oil Leaking	1. Leaking engine case.	1. Contact authorized dealer.
	2. Loose drain plug.	2. Check and tighten drain plug.
	3. Dip stick or oil filler cap loose.	3. Make sure dip stick or oil filler cap is securely in place.

Warranties

Product Warranty

Warranty Statement

LIMITED WARRANTY

Briggs & Stratton warrants that, during the warranty period specified below, it will repair or replace, free of charge, any part that is defective in material or workmanship or both. Transportation charges on product submitted for repair or replacement under this warranty must be borne by purchaser. This warranty is effective for and is subject to the time periods and conditions stated below. For warranty service, find the nearest Authorized Service Dealer in our dealer locator map at www.snapper.com.

The purchaser must contact the Authorized Service Dealer, and then make the product available to the Authorized Service Dealer for inspection and testing.

There is no other express warranty. Implied warranties, including those of merchantability and fitness for a particular purpose, are limited to the warranty period listed below, or to the extent permitted by law. Liability for incidental or consequential damages are excluded to the extent exclusion is permitted by law. Some states or countries do not allow limitations on how long an implied warranty lasts, and some states or countries do not allow the exclusion or limitation of incidental or consequential damages, so the above limitation and exclusion may not apply to you. This warranty gives you specific legal rights and you may also have other rights which vary from state to state or country to country.**

Warranty Period

Item	Consumer Use	Commercial Use
Equipment	36 Months	3 Months
Engine*	36 Months	3 Months
Battery (if equipped)	12 Months	12 Months

* Applies to Briggs & Stratton® engines only. Warranty coverage of non-Briggs & Stratton engines is provided by that engine manufacturer. Emissions-related components are covered by the Emissions Warranty Statement.

** In Australia - Our goods come with guarantees that cannot be excluded under the Australian Consumer Law. You are entitled to a replacement or refund for a major failure and for compensation for any other reasonably foreseeable loss or damage. You are also entitled to have the goods repaired or replaced if the goods fail to be of acceptable quality and the failure does not amount to a major failure. For warranty service, find the nearest Authorized Service Dealer in our dealer locator map at BRIGGSandSTRATTON.COM, or by calling 1300 274 447, or by emailing or writing to salesenquires@briggsandstratton.com.au, Briggs & Stratton Australia Pty Ltd, 1 Moorebank Avenue, NSW, Australia, 2170.

The warranty period begins on the date of purchase by the first retail or commercial consumer. "Consumer use" means personal residential household use by a retail consumer.

"Commercial use" means all other uses, including use for commercial, income producing or rental purposes. Once a product has experienced commercial use, it shall thereafter be considered as a commercial use product for purposes of this warranty.

In order to ensure prompt and complete warranty coverage, register your product at www.onlineproductregistration.com.

Save your proof of purchase receipt. If you do not provide proof of the initial purchase date at the time warranty service is requested, the manufacturing date of the product will be used to determine the warranty period. Product registration is not required to obtain warranty service on Briggs & Stratton products.

About Your Warranty

Warranty service is available only through Snapper Authorized Service Dealers. This warranty covers only defects in materials or workmanship. It does not cover damage caused by improper use or abuse, improper maintenance or repair, normal wear and tear, or stale or unapproved fuel.

Improper Use and Abuse - The proper, intended use of this product is described in the Operator's Manual. Using the product in a way not described in the Operator's Manual or using the product after it has been damaged will not be covered under this warranty. Warranty coverage will also not be provided if the serial number on the product has been removed or the product has been altered or modified in any way, or if the product has evidence of abuse such as impact damage or water/chemical corrosion damage.

Improper Maintenance or Repair - This product must be maintained according to the procedures and schedules provided in the Operator's Manual, and serviced or repaired using genuine Briggs & Stratton parts or equivalent. Damage caused by lack of maintenance or use of non-original parts is not covered by warranty.

Normal Wear and Tear - Like most mechanical devices, your unit is subject to wear even when properly maintained. This warranty does not cover repairs when normal use has exhausted the life of a part or the equipment. Maintenance and wear items such as filters, belts, cutting blades, and brake pads (except engine brake pads) are not covered by warranty due to wear characteristics alone, unless the cause is due to defects in material or workmanship.

Stale or Unapproved Fuel - In order to function correctly, this product requires fresh fuel that conforms to the criteria specified in the Operator's Manual. Engine or equipment damage caused by stale fuel or the use of unapproved fuels (such as E15 or E85 ethanol blends) is not covered by warranty.

Other Exclusions - This warranty excludes damage due to accident, abuse, modifications, alterations, improper servicing, freezing or chemical deterioration. Attachments or accessories that were not originally packaged with the product are also excluded. There is no warranty coverage on equipment used for primary power in place of utility power or on equipment used in life support applications. This warranty

does not include used, reconditioned, second-hand, or demonstration equipment or engines. This warranty also excludes failures due to acts of God and other force majeure events beyond the manufacturer's control.

80004552 (Rev B)

Briggs & Stratton Emissions Warranty

California, U.S. EPA, and Briggs & Stratton, LLC Emissions Control Warranty - Your Warranty Rights and Obligations For Briggs & Stratton Engine Models with "F" Trim Designation (Model-Type-Trim Representation xxxxx xxx Fx)

The California Air Resources Board, U.S. EPA, and Briggs & Stratton (B&S) are pleased to explain the exhaust and evaporative emissions ("emissions") control system warranty on your 2020-2022 engine/equipment. In California, new equipment that use small off-road engines must be designed, built, and equipped to meet the State's stringent anti-smog standards. B&S must warrant the emissions control system on your engine/equipment for the periods of time listed below provided there has been no abuse, neglect or improper maintenance of your small off-road engine or equipment leading to the failure of the emissions control system.

Your emissions control system may include parts such as the carburetor or fuel-injection system, the ignition system, catalytic converter, fuel tanks, fuel lines (for liquid fuel and fuel vapors), fuel caps, valves, canisters, filters, clamps and other associated components. Also included may be hoses, belts, connectors, and other emission-related assemblies.

Where a warrantable condition exists, B&S will repair your engine/equipment at no cost to you including diagnosis, parts, and labor.

Manufacturer's Warranty Coverage:

The exhaust and evaporative emissions control system on your engine/equipment is warranted for two years. If any emissions-related part on your engine/equipment is defective, the part will be repaired or replaced by B&S.

Owner's Warranty Responsibilities:

- As the engine/equipment owner, you are responsible for the performance of the required maintenance listed in your owner's manual. B&S recommends that you retain all receipts covering maintenance on your engine/equipment, but B&S cannot deny warranty coverage solely for the lack of receipts or for your failure to ensure the performance of all scheduled maintenance.
- As the engine/equipment owner, you should however be aware that B&S may deny you warranty coverage if your engine/equipment or a part has failed due to abuse, neglect, or improper maintenance or unapproved modifications.
- You are responsible for presenting your engine/equipment to a B&S distribution center or service center as soon as the problem exists. The warranty repairs shall be completed in a reasonable amount of time, not to exceed 30 days. If you have a question

regarding your warranty rights and responsibilities you should contact B&S at 1-800-444-7774 (in USA) or BRIGGSandSTRATTON.COM.

Briggs & Stratton Emissions Control Warranty Provisions

The following are specific provisions relative to your Emissions Control Warranty Coverage. It is in addition to the B&S engine warranty for non-regulated engines found in the Operator's Manual.

1. Warranted Emissions Parts
Coverage under this warranty extends only to the parts listed below (the emissions control systems parts) to the extent these parts were present on the B&S engine and/or B&S supplied fuel system.
 - a. Fuel Metering System
 - Cold start enrichment system (soft choke)
 - Carburetor or fuel injection system
 - Oxygen sensor
 - Electronic control unit
 - Fuel pump module
 - Fuel line (for liquid fuel and fuel vapors), fuel line fittings, clamps
 - Fuel tank, cap and tether
 - Carbon canister and mounting bracket
 - Pressure relief valves
 - Liquid/Vapor separator
 - b. Air Induction System
 - Air cleaner
 - Intake manifold
 - Purge and vent line
 - c. Ignition System
 - Spark plug(s)
 - Magneto ignition system
 - d. Catalyst System
 - Catalytic converter
 - Exhaust manifold
 - Air injection system or pulse valve
 - e. Miscellaneous Items Used in Above Systems
 - Vacuum, temperature, position, time sensitive valves and switches
 - Connectors and assemblies
 - Electronic controls
2. Length of Coverage
Coverage is for a period of two years from the date of delivery to an ultimate purchaser, or for the time period listed in the respective engine or product warranty statement, whichever is greater. B&S warrants to the original purchaser and each subsequent purchaser that the engine is designed, built, and equipped so as to conform with all applicable regulations adopted by the Air Resources Board; that it is free from defects in material and workmanship that could cause the failure

of a warranted part; and that it is identical in all material respects to the engine described in the manufacturer's application for certification. The warranty period begins on the date the engine or equipment is delivered to an ultimate purchaser.

The warranty on emissions-related parts is as follows:

- Any warranted part that is not scheduled for replacement as required maintenance in the Operator's Manual supplied, is warranted for the warranty period stated above. If any such part fails during the period of warranty coverage, the part will be repaired or replaced by B&S at no charge to the owner. Any such part repaired or replaced under the warranty will be warranted for the remaining warranty period.
 - Any warranted part that is scheduled only for regular inspection in the Operator's Manual supplied, is warranted for the warranty period stated above. Any such part repaired or replaced under warranty will be warranted for the remaining warranty period.
 - Any warranted part that is scheduled for replacement as required maintenance in the Operator's Manual supplied, is warranted for the period of time prior to the first scheduled replacement point for that part. If the part fails prior to the first scheduled replacement, the part will be repaired or replaced by B&S at no charge to the owner. Any such part repaired or replaced under warranty will be warranted for the remainder of the period prior to the first scheduled replacement point for the part.
 - Add-on or modified parts that are not exempted by the Air Resources Board may not be used. The use of any non-exempted add-on or modified parts by the owner will be grounds for disallowing a warranty claim. The manufacturer will not be liable to warrant failures of warranted parts caused by the use of a non-exempted add-on or modified part.
3. Consequential Coverage
Coverage shall extend to the failure of any engine components caused by the failure of any warranted emissions parts.
4. Claims and Coverage Exclusions
Warranty claims shall be filed according to the provisions of the B&S engine warranty policy. Warranty coverage does not apply to failures of emissions parts that are not original equipment B&S parts or to parts that fail due to abuse, neglect, or improper maintenance as set forth in the B&S engine warranty policy. B&S is not liable for warranty coverage of failures of emissions parts caused by the use of add-on or modified parts.

Look For Relevant Emissions Durability Period and Air Index Information On Your Small Off-Road Engine Emissions Label

Engines that are certified to meet the California Air Resources Board (CARB) small off-road Emissions Standard must display information regarding the Emissions Durability Period and the Air Index. Briggs & Stratton makes this

information available to the consumer on our emissions labels. The engine emissions label will indicate certification information.

The **Emissions Durability Period** describes the number of hours of actual running time for which the engine is certified to be emissions compliant, assuming proper maintenance in accordance with the Operator's Manual. The following categories are used:

Moderate:

Engines at or less than 80 cc displacement are certified to be emissions compliant for 50 hours of actual engine running time. Engines greater than 80 cc displacement are certified to be emissions compliant for 125 hours of actual engine running time.

Intermediate:

Engines at or less than 80 cc displacement are certified to be emissions compliant for 125 hours of actual engine running time. Engines greater than 80 cc displacement are certified to be emissions compliant for 250 hours of actual engine running time.

Extended:

Engines at or less than 80 cc displacement are certified to be emissions compliant for 300 hours of actual engine running time. Engines greater than 80 cc displacement are certified to be emissions compliant for 500 hours of actual engine running time.

For example, a typical walk-behind lawn mower is used 20 to 25 hours per year. Therefore, the **Emissions Durability Period** of an engine with an **intermediate** rating would equate to 10 to 12 years.

Briggs & Stratton engines are certified to meet the United States Environmental Protection Agency (USEPA) Phase 2 or Phase 3 emissions standards. The Emissions Compliance Period referred to on the Emissions Compliance label indicates the number of operating hours for which the engine has been shown to meet Federal emissions requirements.

For engines at or less than 80 cc displacement:

Category C = 50 hours, Category B = 125 hours, Category A = 300 hours

For engines greater than 80 cc displacement and less than 225 cc displacement:

Category C = 125 hours, Category B = 250 hours, Category A = 500 hours

For engines of 225 cc or more displacement:

Category C = 250 hours, Category B = 500 hours, Category A = 1000 hours

80099151 (Revision A)

Slope Guide



WARNING



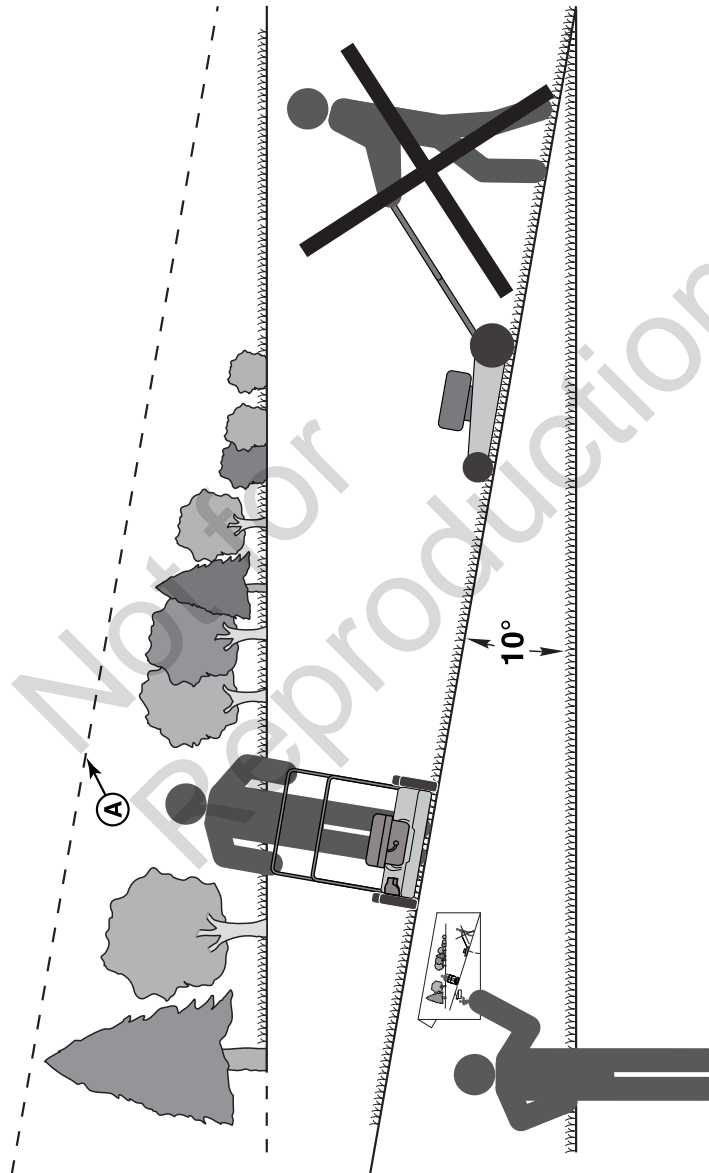
Amputation Hazard and Rollover Hazard

To prevent death or serious injury:

- Mow across slopes, not up and down slopes.
- Do not mow slopes that are more than 10 degrees.
- Be careful when you turn on slopes. Turn the unit gradually to maintain control.

Slope Guide

1. Fold this page along the dotted line (A). The angle of the fold shows a slope of 10 degrees.
2. Hold the page in front of you so that its left edge is parallel to a tree trunk or other vertical structure.
3. Compare the slope you want to mow with the angle of the fold. If the slope is more than the angle of the fold, do not mow.



Specifications

Specifications	7800979-00 7800979A-00 7800979B-00	7800980-00 7800980A-00 7800980B-00 7800981-00 7800981A-00 7800981B-00 7800982-00 7800982A-00 7800982A-00
Mower		
Deck Size (in / cm)	21 / 53	21 / 53
Height of Cut (in / cm)	1.25 - 4 / 3,18 - 10,16	1.25 - 4 / 3,18 - 10,16
Transmission Type	---	Gear
Ground Speed (mph / kph)	---	1.2 - 4 / 1,9 - 6,4
Blade Torque (lb-ft / Nm)	40 / 54	40 / 54
Engine		
Gross Engine Power *	8.5	8.5
Engine Displacement (cc)	190	190
Fuel Tank Capacity (qt / l)	1.2 / 1,1	1.2 / 1,1
Oil Capacity (oz / l)	18 - 20 / 0,54 - 0,59	18 - 20 / 0,54 - 0,59
Spark Plug Gap (in / mm)	0.020 / 0,51	0.020 / 0,51
Spark Plug Torque (lb-in / Nm)	180 / 20	180 / 20

* See **Power Ratings** .

Power Ratings: The gross power rating for individual gasoline engine models is labeled in accordance with SAE (Society of Automotive Engineers) code J1940 Small Engine Power & Torque Rating Procedure, and is rated in accordance with SAE J1995. Torque values are derived at 2600 RPM for those engines with “rpm” called out on the label and 3060 RPM for all others; horsepower values are derived at 3600 RPM. The gross power curves can be viewed at www.BRIGGSandSTRATTON.COM. Net power values are taken with exhaust and air cleaner installed whereas gross power values are collected without these attachments. Actual gross engine power will be higher than net engine power and is affected by, among other things, ambient operating conditions and engine-to-engine variability. Given the wide array of products on which engines are placed, the gasoline engine may not develop the rated gross power when used in a given piece of power equipment. This difference is due to a variety of factors including, but not limited to, the variety of engine components (air cleaner, exhaust, charging, cooling, carburetor, fuel pump, etc.), application limitations, ambient operating conditions (temperature, humidity, altitude), and engine-to-engine variability. Due to manufacturing and capacity limitations, Briggs & Stratton may substitute an engine of higher rated power for this engine.

Manual Contents:

Seguridad del operador.....	33
Características y controles.....	39
Operación.....	39
Mantenimiento.....	46
Solución de problemas.....	59
Garantías.....	61
Guía de pendientes.....	65
Especificaciones	66

Las imágenes en este documento son de referencia y tienen como propósito complementar a la copia de instrucciones. Su unidad puede verse diferente a las imágenes mostradas. *IZQUIERDA* y *DERECHA* se ven desde la posición del operador.

Gracias por comprar este Snapper Walkbehind Mower de alta calidad. Nos complace que haya depositado su confianza en la marca Snapper. Si se usa y se le da mantenimiento según las instrucciones en los manuales, su producto Snapper proporcionará muchos años de servicio confiable.

Los manuales contienen información de seguridad para informarle de los peligros y riesgos asociados con la unidad y de cómo evitarlos. Esta Walkbehind Mower fue diseñada para ser utilizada como se describe en el manual del operador y no está destinada a ningún otro propósito. Es importante que lea y entienda perfectamente las instrucciones antes de intentar encender o usar este equipo. Guarde estas instrucciones originales para referencia futura.

Se debe realizar el montaje final de este producto antes de utilizarlo. Consulte la guía de instalación para obtener instrucciones sobre los procedimientos de montaje final. Siga las instrucciones detalladamente.

Seguridad del operador

Definiciones de seguridad

Para su seguridad, la seguridad de otros y para proteger el rendimiento del equipo, siga las precauciones que se indican en todo el manual antes de la operación, durante la operación y durante los procedimientos de mantenimiento periódico.



Indica un posible riesgo para su integridad física.



PELIGRO

indica una situación de riesgo que, de no evitarse, provocará la muerte o lesiones de gravedad.



ADVERTENCIA

indica una situación de riesgo que, de no evitarse, podría provocar la muerte o lesiones de gravedad.



PRECAUCIÓN

indica un riesgo que, de no evitarse, podría provocar lesiones leves o moderadas.

AVISO

indica una situación que puede provocar daños a los equipos, a la propiedad personal o al ambiente, o que puede provocar que el equipo funcione indebidamente.

Definiciones de los símbolos de seguridad

Los siguientes símbolos de seguridad se pueden encontrar en la unidad.

	Lea el manual del operador antes de intentar operar el cortacésped.
	Corte el césped a lo ancho de las pendientes, no hacia arriba o hacia abajo.
	Para evitar lesiones a otras personas, no utilice el equipo cuando haya otras personas, especialmente niños, alrededor.
	Para reducir la posibilidad de incendios, espere al menos dos minutos antes de recargar combustible.
	Para evitar lesiones graves o la muerte, mantenga las manos y los pies alejados de la cubierta del cortacésped en todo momento durante la operación.
	Para evitar lesiones causadas por objetos arrojados, no opere el cortacésped a menos que todos los componentes de trituración, descarga o embolsado estén colocados en su lugar adecuado.

Advertencia sobre el extintor de chispas de California



ADVERTENCIA

Es una violación del Código de Recursos Públicos de California, Sección 4442, utilizar u operar el motor en cualquier espacio con árboles, maleza o grama, a menos que el sistema de escape esté equipado con un extintor de chispas, como lo define la Sección 4442, mantenido en correcto funcionamiento. Otros estados o jurisdicciones federales pueden tener leyes similares. Póngase en contacto con el vendedor, el distribuidor o el fabricante del equipo original para obtener un extintor de chispas diseñado para el sistema de escape instalado en este motor.



ADVERTENCIA

Los bornes, los terminales y los accesorios relacionados de las baterías contienen plomo y componentes de plomo, sustancias químicas que el estado de California sabe que causan cáncer, defectos de nacimiento u otros daños reproductivos. Lávese las manos después de manipular estos elementos.

Propuesta 65 de California



ADVERTENCIA

Este producto puede exponerlo a sustancias químicas entre las que se incluyen emisiones de escape de motor de gasolina, reconocidas por el Estado de California como causantes de cáncer; y monóxido de carbono, reconocido por el Estado de California como causante de defectos de nacimiento u otros problemas reproductivos. Para obtener más información, visite www.P65Warnings.ca.gov.

Operación segura



Los equipos de energía son tan seguros como lo sea la forma en que el operador los use. Si se usan de manera incorrecta o si no se realiza el mantenimiento adecuado, pueden ser peligrosos. Recuerde, usted es responsable de su seguridad y la de quienes lo rodean.

Use el sentido común y piense en lo que hace. Si no está seguro de que la actividad que está a punto de realizar pueda

ser llevada a cabo de forma segura con el equipo que ha elegido, pregunte a un profesional: comuníquese con su distribuidor autorizado local.

Lea el manual



El manual del operador contiene información de seguridad importante que debe saber ANTES de operar la unidad, así como también, DURANTE la operación.

El manual incluye técnicas de operación segura, una explicación de las características y controles del producto, además de información de mantenimiento para ayudarlo a aprovechar al máximo el equipo en que ha invertido su dinero.

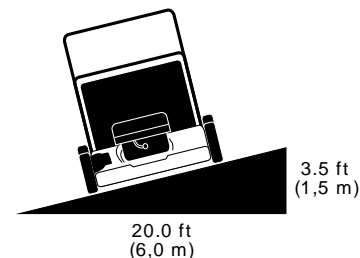
Asegúrese de leer completamente las reglas de seguridad y la información que se encuentra en las siguientes páginas. Además, lea la sección de Operación por completo.

Niños



Pueden ocurrir accidentes trágicos con niños. No permita que estén cerca del área de operación. Los niños suelen sentirse atraídos por la unidad y por la actividad de cortar el césped. Nunca dé por hecho que los niños vayan a permanecer en el último lugar en el que los vio. Si existe riesgo de que entren niños al área donde usted corta el césped, pida a otro adulto responsable que los cuide.

Operación en pendientes



Puede sufrir lesiones graves o incluso morir si usa esta unidad en inclinaciones demasiado empinadas. Usar la unidad en una pendiente demasiado empinada o donde no

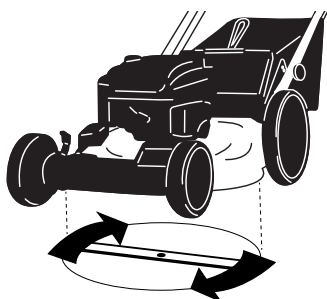
tenga la estabilidad adecuada puede hacer que pierda el control o que se resbale y caiga.

No debe operar la unidad en inclinaciones con una pendiente superior a 10 grados, lo que es una elevación de 3,5 pies (1,5 m) en 20 pies (6,0 m). Siempre corte el césped a lo ancho de las pendientes, nunca hacia arriba y hacia abajo.

Además, tenga en cuenta que la superficie donde cortará el césped puede afectar enormemente el control. Las hojas o el césped mojados pueden afectar gravemente la estabilidad y la tracción en una pendiente.

Si no se siente seguro operando la unidad en una inclinación, no lo haga. No vale la pena arriesgarse.

Piezas móviles

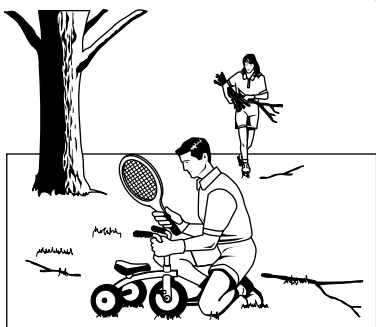


Este equipo tiene piezas móviles que pueden dañarlo a usted o a los demás. Sin embargo, si se mantiene correctamente detrás del manillar y sigue todas las reglas en este libro, es seguro operar la unidad.

El cortacésped tiene una cuchilla que gira, la cual puede amputar manos y pies. ¡No permita que nadie se acerque al equipo cuando esté funcionando!

Para ayudarlo a usted, el operador, a usarlo de manera segura, este equipo cuenta con un sistema de seguridad que funciona con el operador presente. NO intente alterar ni forzar el sistema. Consulte inmediatamente a su proveedor si el sistema no pasa todas las pruebas del sistema de bloqueo de seguridad de este manual.

Objetos arrojados



Esta unidad tiene una cuchilla giratoria. Esta cuchilla puede recoger y lanzar residuos, lo cual puede provocar lesiones graves a otras personas. Asegúrese de limpiar el área donde cortará el césped ANTES de comenzar a hacerlo.

No opere esta unidad sin que el recogedor de césped o el protector de descarga (deflector) esté en su lugar.

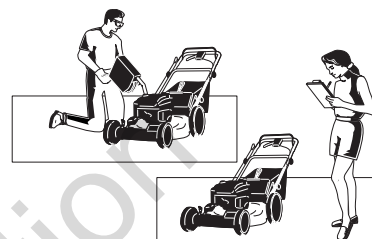
Además, no permita que haya personas en el área mientras la unidad está funcionando. Si alguien ingresa al área, apague la unidad inmediatamente hasta que la persona se retire.

Acumulación de residuos



La acumulación de césped y residuos puede provocar un incendio. Asegúrese de limpiar la acumulación de césped y residuos con un cepillo o con aire comprimido, antes y después de la operación.

Combustible y mantenimiento



La gasolina es sumamente inflamable. Sus vapores también son sumamente inflamables y pueden desplazarse hasta fuentes de ignición lejanas. Solo se debe emplear gasolina como combustible y no como disolvente o limpiador. Nunca se debe almacenar en un lugar donde los vapores se puedan acumular o desplazar a una fuente de ignición como una luz piloto. El combustible debe almacenarse en un contenedor de gasolina sellado, de plástico y aprobado o en el tanque de combustible del tractor con su tapa debidamente cerrada. Se debe limpiar inmediatamente los derrames de combustible.

El mantenimiento adecuado es esencial para la seguridad y rendimiento de la unidad. Asegúrese de realizar los procedimientos de mantenimiento que se indican en este manual, especialmente el de probar periódicamente el sistema de seguridad.

Mensajes de seguridad general



ADVERTENCIA

cota potente máquina cortadora co capaz de amputar las manos y los pico, y de lanzar objetos que pueden provocar lcoionco o daños. El incumplimiento de las siguientes instrucciones de SEGURIDAD podría provocar lesiones graves o la muerte al operador u otras personas. El propietario de la máquina debe comprender estas instrucciones y solo debe permitir que personas que comprenden estas instrucciones operen la máquina. Cada persona que opere la máquina debe tener pleno uso de sus capacidades físicas y mentales y no debe estar bajo la influencia de ninguna sustancia que pueda perjudicar su visión, destreza o juicio.



ADVERTENCIA

Los motores emiten monóxido de carbono, un gas venenoso, incoloro e inodoro. Respirar monóxido de carbono puede causar náuseas, desmayos, o incluso la muerte.

- Arranque el motor y hágalo funcionar al aire libre.
- No haga funcionar el motor en un área cerrada, incluso si las puertas o ventanas están abiertas.

Protección para los niños

Pueden ocurrir accidentes graves si el operador no está atento ante la presencia de niños. Los niños suelen sentirse atraídos por la máquina y por la actividad del cortacésped. Nunca dé por hecho que los niños vayan a permanecer en el último lugar en el que los vio.

1. MANTENGA a los niños fuera del área de corte y bajo la vigilancia atenta de un adulto responsable que no sea el operador.
2. NO permita que haya niños en el jardín mientras se opera la máquina, y APÁGUELA si alguien ingresa al área.
3. NO permita que preadolescentes operen la máquina.
4. Solo PERMITA que adultos responsables y adolescentes con criterio maduro bajo supervisión adulta operen la máquina.
5. NO tire del cortacésped hacia atrás a menos que sea absolutamente necesario. MIRE Y OBSERVE detrás y abajo para ver si hay niños, mascotas y peligros antes y mientras da marcha atrás.
6. TENGA ESPECIAL CUIDADO al acercarse a esquinas ciegas, arbustos, árboles u otros objetos que puedan dificultar la visión.

Operación en pendientes

1. Las pendientes son un factor de gran importancia en los accidentes de resbalamiento y caída, lo que puede provocar lesiones graves. Todas las pendientes exigen precauciones especiales. Si no se siente seguro sobre una pendiente, NO corte el césped allí.
2. Corte el césped a lo ancho en las pendientes, nunca hacia arriba y hacia abajo. Tenga mucho CUIDADO cuando cambie de dirección en pendientes. NO corte el césped en pendientes o en otras áreas donde haya dudas sobre la estabilidad o la tracción. Consulte la Guía de pendientes en el reverso de este manual.
3. Tenga especial cuidado con recogedores de césped u otros accesorios; estos afectan la manipulación y la estabilidad de la máquina.

Preparación

1. Lea, comprenda y obedezca las instrucciones y advertencias en este manual y en el cortacésped, el motor y los accesorios. Conozca los controles y el uso adecuado del cortacésped antes de comenzar.

2. Solo personas maduras y responsables deberán operar la máquina y solo después de recibir una instrucción adecuada.
3. Hay datos que indican que operadores mayores de 60 años están involucrados en un gran porcentaje de lesiones asociadas a equipos cortacésped. Estos operadores deben evaluar su capacidad de operar el cortacésped de manera lo suficientemente segura para protegerse a sí mismos y a los demás contra lesiones.
4. Manipule el combustible con sumo cuidado. Los combustibles son inflamables y sus vapores son explosivos. Use solo un recipiente para combustible aprobado. NO retire la tapa del combustible ni agregue combustible con el motor en marcha. Agregue combustible en exteriores solo con el motor detenido y frío. Limpie el combustible y el aceite derramados de la máquina. NO fume.
5. Revise el área donde se cortará el césped y retire todos los objetos, como juguetes, cables, rocas, ramas y otros que puedan provocar lesiones si la cuchilla los expulsa o si interfieren con el corte del césped. Además, observe la ubicación de agujeros, tocones y otros posibles peligros.
6. Mantenga a las personas y las mascotas alejadas del área de corte de césped. Inmediatamente DETENGA la cuchilla, detenga el motor y detenga el cortacésped si alguien ingresa al área.
7. Verifique con frecuencia la ubicación y el funcionamiento correctos de las pantallas, los deflectores, los interruptores, los controles de cuchilla y otros dispositivos de seguridad.
8. Asegúrese de que todas las calcomanías de seguridad se puedan leer claramente. Cámbielas si están dañadas.
9. Protéjase cuando corte el césped y use lentes de seguridad, pantalones largos y calzado resistente. NO corte el césped descalzo o con sandalias.
10. Sepa cómo DETENER la cuchilla y el motor rápidamente para prepararse en caso de emergencias.
11. Tenga especial cuidado cuando cargue o descargue la máquina de remolques o camiones.
12. Revise con frecuencia los componentes del recogedor de césped en busca de señales de desgaste o deterioro y reemplácelos según sea necesario para evitar lesiones por objetos expulsados a través de puntos débiles o rotos.

Manipulación segura de la gasolina

Con el fin de evitar lesiones corporales o daños a la propiedad, tenga extremo cuidado al manipular la gasolina. El combustible es extremadamente inflamable y sus vapores son explosivos.

1. Apague cigarrillos, puros, pipas y cualquier otra fuente de ignición.
2. Use solo un recipiente para combustible aprobado.
3. NO retire la tapa del combustible ni agregue combustible con el motor en marcha. Deje que el motor se enfríe antes de recargar combustible.

4. NO cargue combustible en interiores.
5. NO almacene la máquina ni el recipiente de combustible en interiores donde haya llamas, chispas o luces piloto como las de los calentadores de agua u otros aparatos.
6. NO llene recipientes de combustible dentro de un vehículo o en el lecho de un camión o remolque con revestimiento de plástico. Siempre coloque los recipientes sobre el suelo, lejos del vehículo, antes de llenarlos.
7. Retire el equipamiento alimentado con gasolina del vehículo o el remolque y cargue el combustible en el suelo. Si esto no es posible, entonces cargue combustible con un recipiente portátil, en lugar de una boquilla de surtidor de gasolina.
8. NO arranque equipos alimentados con gasolina en vehículos o remolques cerrados.
9. Mantenga la boquilla en contacto con el borde de la boca del tanque o recipiente de combustible en todo momento y hasta haber completado el llenado. NO use un dispositivo para trabar boquillas en posición abierta.
10. Si derrama combustible sobre su ropa, cámbiese de inmediato.
11. NO llene demasiado el tanque de combustible. Vuelva a colocar la tapa del combustible y ajústela firmemente.

Operación

1. NO coloque las manos o pies cerca o debajo de piezas giratorias. Manténgase alejado del área de descarga mientras el motor está en funcionamiento.
2. DETENGA el motor cuando cruce entradas, caminos o calles de grava y en todas las condiciones donde los objetos arrojados puedan ser un peligro.
3. Corte el césped solo durante el día o con luz artificial potente.
4. NO opere el cortacésped mientras esté bajo los efectos del alcohol o las drogas.
5. Después de golpear un objeto extraño o si el cortacésped vibra anormalmente, DETENGA el motor, desconecte y fije el cable de la bujía. Inspeccione el cortacésped en busca de daños y repárelos antes de comenzar.
6. NO corte el césped cerca de puntos de descenso, cunetas o terraplenes. El operador puede perder la estabilidad o el equilibrio.
7. ESTÉ ALERTA a los agujeros y otros peligros ocultos. El césped alto puede ocultar obstáculos. Manténgase alejado de zanjas, tramos inundados, alcantarillas, rejas y objetos sobresalientes.
8. NO corte el césped cuando esté húmedo. Siempre tenga en cuenta su estabilidad. Afirme bien el manillar y camine, nunca corra. Resbalarse podría provocar lesiones.
9. SIEMPRE manténgase detrás del manillar cuando el motor esté en funcionamiento.
10. NO deje la máquina con el motor en funcionamiento. DETENGA LA CUCHILLA y DETENGA EL MOTOR

antes de dejar la posición del operador por cualquier motivo.

11. Antes de limpiar, reparar o inspeccionar, asegúrese de DETENER el motor, la cuchilla y todas las piezas móviles. Desconecte y fije el cable de la bujía lejos de esta para evitar un arranque accidental.
12. DETENGA el motor y espere hasta que la cuchilla se DETENGA completamente antes de retirar la bolsa para césped o de limpiar el césped.
13. NO opere el cortacésped sin el recogedor de césped completo, la protección posterior u otros dispositivos de seguridad en su lugar y en funcionamiento. NO apunte la descarga hacia las personas, automóviles que pasan, ventanas o puertas.
14. NO descargue el material contra una pared u obstrucción. Los materiales pueden rebotar hacia el operador.
15. Reduzca la velocidad antes de realizar giros.
16. Tenga precaución con el tráfico cuando se encuentre cerca de calzadas o cruce por ellas.
17. NO opere el motor en áreas cerradas. Los gases de escape del motor contienen monóxido de carbono, un veneno letal.
18. Solo use accesorios aprobados por el fabricante. Consulte las instrucciones del fabricante para conocer la operación e instalación adecuada de los accesorios.

Mantenimiento y almacenamiento

1. NO almacene el cortacésped ni el recipiente de combustible en interiores donde los gases puedan alcanzar llamas, chispas o luces piloto como las de calentadores de agua, hornos, secadoras de ropa u otros aparatos a gas. Permita que el motor se enfríe antes de almacenar la máquina en un lugar cerrado. Almacene los recipientes de combustible fuera del alcance de los niños, en un lugar deshabitado y bien ventilado.
2. Mantenga el cortacésped y el motor limpio de césped, hojas o exceso de grasa, con el fin de reducir el peligro de incendio y el sobrecalentamiento del motor.
3. Cuando vacíe el tanque de combustible, viértalo en un recipiente aprobado en exteriores y lejos de cualquier llama.
4. Mantenga los pernos, especialmente los pernos de la cuchilla, las tuercas y los tornillos ajustados adecuadamente. Revise que todos los pasadores de aletas estén en la posición correcta.
5. Siempre proporcione ventilación adecuada cuando haga funcionar el motor. Los gases de escape del motor contienen monóxido de carbono, un veneno letal.
6. Realice mantenimiento y ajustes al motor solo cuando esté detenido. Retire el cable de la bujía y fíjelo lejos de esta para evitar un arranque accidental.
7. NO cambie los ajustes de velocidad del regulador del motor ni exceda la velocidad nominal del motor.
8. Revise el conjunto de la bolsa de césped con frecuencia, en busca de desgaste o deterioro, con el fin de evitar

objetos arrojados y la exposición a las piezas móviles. Reemplace la bolsa con una nueva si hay costuras sueltas o rasgones evidentes. Reemplace el deslizador o el adaptador de la bolsa si está roto o agrietado.

9. Las cuchillas del cortacésped son afiladas y pueden cortar. Envuelva las cuchillas o use guantes de cuero gruesos y tenga PRECAUCIÓN cuando las manipule.
10. NO pruebe si hay chispas mediante la conexión a tierra de la bujía cerca del orificio de esta; ya que podría encender el gas que sale del motor.
11. Solicite que un distribuidor autorizado realice mantenimiento a la máquina al menos una vez al año y que instale todos los dispositivos de seguridad nuevos.
12. Solo use piezas de repuesto autorizadas de fábrica o piezas equivalentes cuando haga reparaciones.
13. Retire la batería (de estar equipada) antes de realizar ajustes o reparaciones.

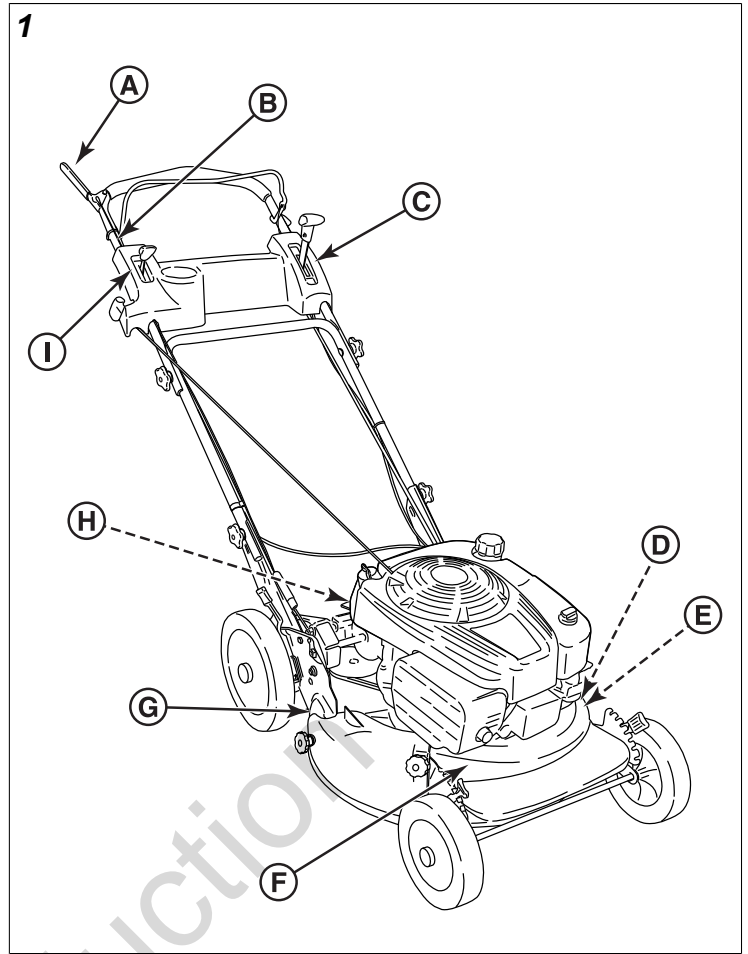
Calcomanías de seguridad y de operación




Leer este manual y las instrucciones de seguridad que contiene le proporcionará el conocimiento básico necesario para operar este cortacésped con seguridad y eficacia. Sin embargo, también se han colocado varias calcomanías de seguridad y operación en el cortacésped, a modo de recordatorio de esta información importante durante la operación.



Las calcomanías indicadas a continuación están ubicadas en el cortacésped. Se deben leer, comprender y acatar cuidadosamente las advertencias de seguridad y las instrucciones de operación que contienen. No obedecer estas importantes advertencias e instrucciones puede provocar lesiones corporales graves o la muerte.

Si cualquiera de estas calcomanías se pierde o se daña, sustitúyala de inmediato. Comuníquese con su distribuidor para obtener calcomanías de repuesto.

Compare la figura 1 con la tabla a continuación.



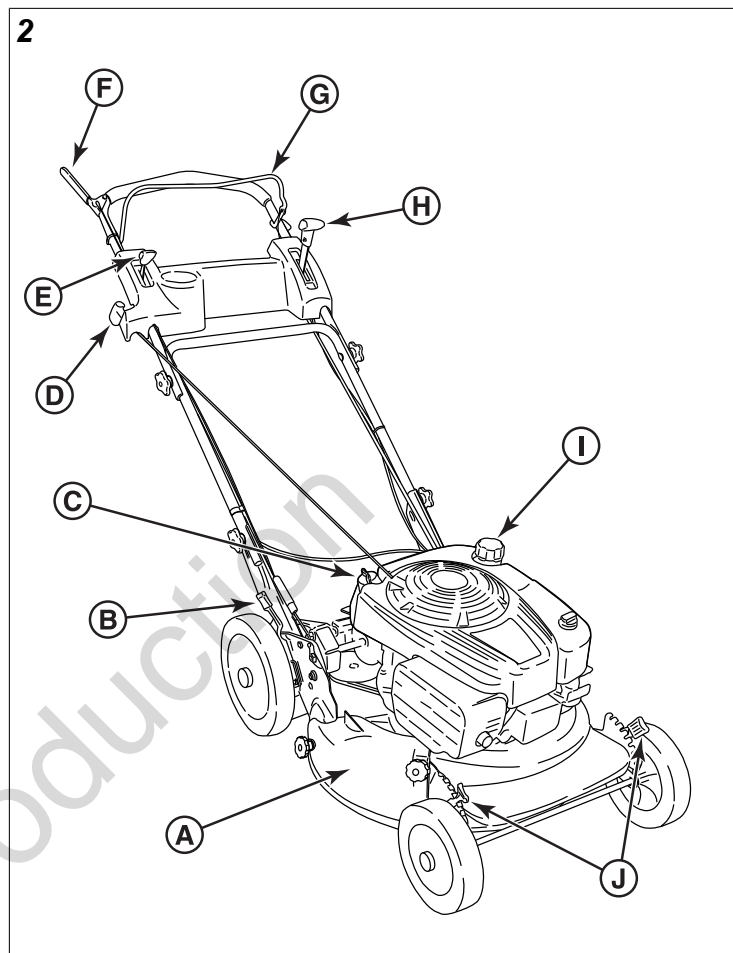
A		<p>Control de transmisión</p> <ul style="list-style-type: none"> • Apriete el control de transmisión contra el manillar para activar la tracción de las ruedas.
B		<p>OPC (control de la cuchilla)</p> <ul style="list-style-type: none"> • Apriete el control de la cuchilla para arrancar y hacer funcionar el motor y la cuchilla. • Suelte el control de la cuchilla para detener el motor y la cuchilla.
C		<p>Control de velocidad de desplazamiento</p> <ul style="list-style-type: none"> • Mueva el control de velocidad de desplazamiento hacia Rápido (Conejo) para aumentar la velocidad de desplazamiento. • Mueva el control de velocidad de desplazamiento hacia Lento (Tortuga) para disminuir la velocidad de desplazamiento.

D	<p>⚠ WARNING Fire Hazard. Operation of this equipment may create sparks that can start fires around dry vegetation. A spark arrestor may be required. The operator should contact local fire agencies for laws or regulations relating to fire prevention requirements.</p> <p>⚠ AVERTISSEMENT Risque d'incendie. Ce matériel peut produire des étincelles et déclencher des feux de broussailles. Un pare-étincelles peut s'avérer nécessaire. Contactez les organismes locaux de lutte contre les incendies pour obtenir les réglementations concernant les exigences de prévention incendie.</p>	ADVERTENCIA: Es posible que necesite un supresor de chispas.
E	<p>⚠ WARNING AVOID SERIOUS INJURY OR DEATH • Read operator's manual. • Keep safety devices (guards, shields, switches, etc.) in place and working. • Go across slopes, not up or down. • Remove objects that could be thrown by blade. • Do not mow when children or others are around. • Look down and behind before and while moving backwards. • Wait at least 2 minutes before refueling.</p> <p>⚠ AVERTISSEMENT POUR EVITER DES BLESSURES GRAVES VOIRIE MORTELLES • Lire le manuel d'utilisation. • Maintenir en place et en état de marche les dispositifs de sécurité (protecteurs, écrans, commutateurs, etc.). • Passer latéralement sur les pentes, pas en montant ou descendant. • Éviter les objets qui peuvent être projetés par la lame. • Ne pas marcher s'il y a des enfants ou des badauds aux alentours. • Regarder en bas et derrière avant et pendant une marche arrière. • Patienter au moins 2 minutes avant de refaire le plein.</p> <p>⚠ DANGER AMPUTATION AND THROWN OBJECT HAZARD • Keep hands and feet away from deck. • Do not operate mower unless discharge chute or entire grass catcher is in its proper place.</p> <p>⚠ DANGER RISQUE D'AMPUTATION ET OBJETS PROJÉTÉS • Garder mains et pieds à l'écart de la plate-forme de coupe. • Ne pas utiliser la tondeuse si le déversoir ou toute le bac à herbe pas bien en place.</p>	ADVERTENCIA: Evite lesiones graves o la muerte.
F		PELIGRO: Mantenga las manos y los pies alejados.
G	<p>⚠ DANGER AMPUTATION AND THROWN OBJECT HAZARD • Keep hands and feet away from deck. • Do not operate mower unless discharge chute or entire grass catcher is in its place.</p>	PELIGRO: Peligro de amputación y objetos arrojados.
G	<p>⚠ DANGER RISQUE D'AMPUTATION ET OBJETS PROJÉTÉS • Garder mains et pieds à l'écart de la plate-forme de coupe. • Ne pas utiliser la tondeuse si le déversoir ou tout le bac à herbe pas bien en place.</p>	PELIGRO: Peligro de amputación y objetos arrojados.
H	<p>⚠ WARNING Cancer and Reproductive Harm www.P65Warnings.ca.gov</p> <p>⚠ AVERTISSEMENT Cancer ET Troubles de l'appareil reproducteur www.P65Warnings.ca.gov</p>	ADVERTENCIA: Cáncer y problemas reproductivos.
I		<p>Control de velocidad del motor</p> <ul style="list-style-type: none"> Mueva el control de velocidad del motor en la dirección indicada para aumentar o disminuir la velocidad del motor..

Características y controles

Nota: Las figuras e ilustraciones de este manual solo se proporcionan como referencia y pueden diferir de su modelo específico. Comuníquese con su distribuidor si tiene preguntas.

Compare la figura 2 con la tabla a continuación.

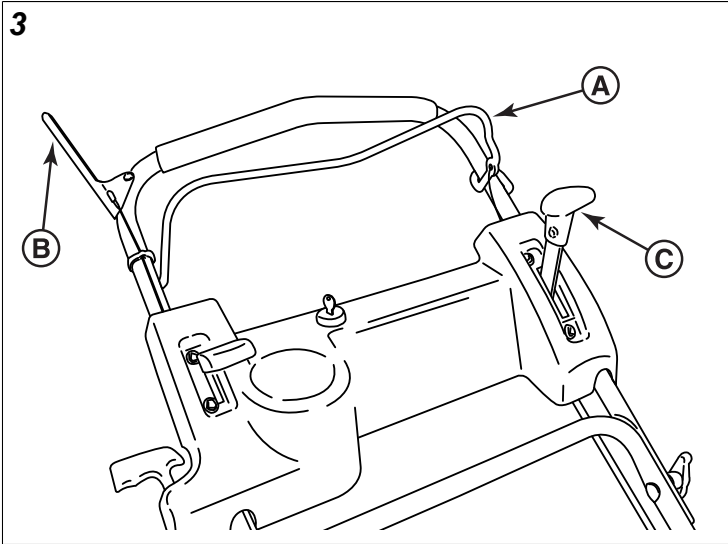


A	Cubierta de mantillo
B	Seguro de ajuste de altura posterior (2)
C	Tapa de llenado de aceite y varilla de aceite
D	Manilla de arranque con cuerda
E	Control de velocidad del motor
F	Control de transmisión
G	Control de la cuchilla
H	Control de velocidad de desplazamiento
I	Tapa de llenado de combustible
J	Seguro de ajuste de altura delantero (2)

Operación

Antes de comenzar

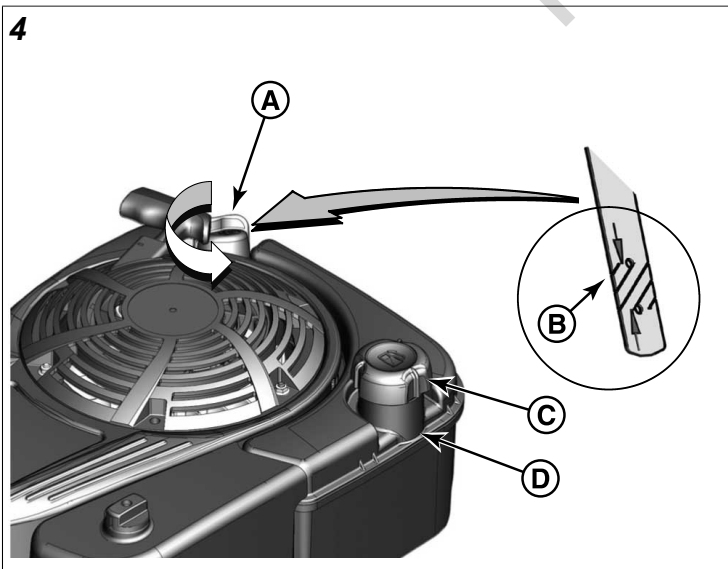
- Revise las protecciones, los deflectores, la bolsa para césped y las cubiertas para asegurarse de que estén en su lugar y firmemente apretados.
- Revisar el control de la cuchilla (A, Figura 3), control de transmisión (B), y control de velocidad de desplazamiento (C) para asegurar que funcionan libremente.



3. Revise la altura de corte. Ajuste a la altura deseada. Ver **Ajuste de altura de corte**.

4. Revise el aceite del motor:

- Asegúrese de que el cortacésped esté en una superficie nivelada.
- Limpie el área de llenado de aceite y retire la suciedad.
- Retire la varilla indicadora de nivel de aceite (A, Figura 4) y límpiela con un paño limpio.
- Inserte y apriete la varilla de nivel de aceite.
- Retire la varilla y revise el nivel de aceite. Debería estar en la parte superior del indicador de lleno (B) en la varilla de aceite.
- Si está bajo, agregue aceite lentamente en el orificio de llenado de aceite del motor. Ver **Recomendaciones de aceite** No llene en exceso. Después de agregar aceite, espere un minuto y vuelva a revisar el nivel del aceite.
- Vuelva a colocar la varilla de nivel de aceite y apriétela.



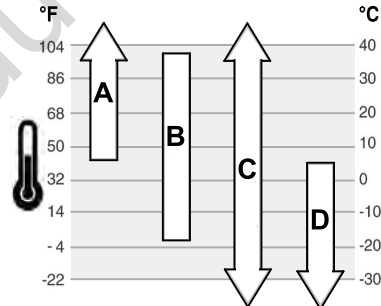
5. Agregue combustible en el tanque:

- Asegúrese de que el cortacésped esté en el exterior, donde los vapores se puedan disipar de manera segura.
 - Retire la tapa de llenado de combustible (C, Figura 4).
 - Llène el tanque con combustible. Ver **Recomendaciones de combustible** Para permitir la expansión del combustible, no llene el tanque por arriba de la parte inferior del cuello de llenado (D).
 - Vuelva a colocar la tapa de llenado de combustible.
6. Limpie las superficies exteriores de la cubierta de corte y del motor para quitar cualquier acumulación de combustible derramado, suciedad, césped, aceite, etc. Mantenga limpias la rejilla de admisión de aire del motor y las aletas de enfriamiento en todo momento.
7. Cargue la batería. Ver **Carga de la batería**.

Recomendaciones de aceite

Se recomienda el uso de aceites certificados y garantizados Briggs & Stratton para obtener el mejor rendimiento. Otros aceites detergentes de alta calidad son aceptables si cuentan con la clasificación de servicio SF, SG, SH, SJ o superior. No use aditivos especiales.

Las temperaturas exteriores determinarán la viscosidad adecuada del aceite para el motor. Use la tabla para seleccionar la mejor viscosidad para el rango de temperatura exterior esperado.



A.	SAE 30 - El uso de aceite SAE 30 en temperaturas inferiores a 4 °C (40 °F) producirá dificultad de arranque.
B.	10W-30: Sobre los 27 °C, el uso de 10W-30 puede provocar un aumento en el consumo de aceite. Revise el nivel de aceite con más frecuencia.
C.	5W-30 sintético
D.	5W-30

Recomendaciones acerca del combustible

El combustible debe cumplir con estos requisitos:

- Gasolina limpia, fresca y sin plomo.
- Un mínimo de 87 octanos u 87 AKI (91 RON). Para uso en grandes alturas, consulte a continuación.
- Se acepta gasolina con hasta un 10 % de etanol (gasohol).

AVISO No utilice gasolinas no aprobadas, como la E15 y la E85. No mezcle la gasolina con aceite ni modifique el motor para usarlo con combustibles alternativos. El uso de combustibles no aprobados provocará daños en los componentes del motor, **lo que no está cubierto por la garantía.**

Para proteger el sistema de combustible de la formación de goma, mezcle el combustible con un estabilizador. Véase el **Manual del operador** para consultar las recomendaciones. No todos los combustibles son iguales. Si ocurren problemas de desempeño o en el arranque, cambie de proveedor de combustible o de marca. Este motor está certificado para funcionar con gasolina. El sistema de control de emisiones para este motor es EM (modificaciones del motor).

Gran altitud

En alturas de más de 5.000 pies (1524 metros), una gasolina con un mínimo de 85 octano/85 AKI(89 RON) es aceptable.

Para motores carburados es necesario el ajuste para gran altitud a fin de conservar el rendimiento. El funcionamiento sin este ajuste genera una disminución del rendimiento, un aumento del consumo de combustible y un incremento en las emisiones. Para obtener información sobre el ajuste de alta altitud, póngase en contacto con un distribuidor de servicio autorizado de Briggs & Stratton. No se recomienda operar el motor a alturas inferiores a los 762 metros (2500 pies) con el ajuste para gran altura.

Para los motores de con inyección electrónica de combustible (EFI), no es necesario ningún ajuste para gran altitud.

Arranque del cortacésped



ADVERTENCIA



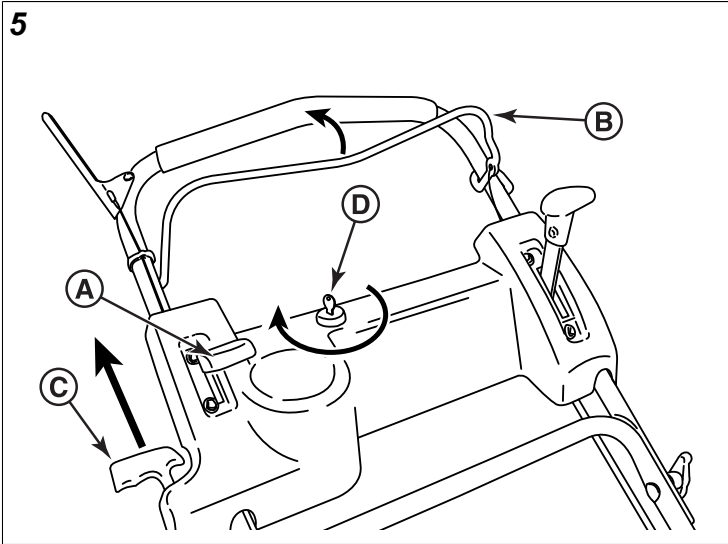
Peligro de gas tóxico

La descarga de escape del motor contiene monóxido de carbono, un gas tóxico que puede matar en minutos. NO puede verlo, es inodoro e insípido. Incluso si no huele los gases del escape, puede estar expuesto al monóxido de carbono. Si comienza a sentirse con náuseas, mareado o débil cuando utiliza este producto, apáguelo y tome aire fresco INMEDIATAMENTE. Consulte a un médico. Puede haberse intoxicado con monóxido de carbono.

- Opere este producto SOLAMENTE al aire libre, lejos de ventanas, puertas y ventilaciones, para reducir el riesgo de que el monóxido de carbono se acumule y pueda circular a espacios habitados.
- Instale alarmas de monóxido de carbono con baterías o enchufe (batería de respaldo) siguiendo las instrucciones del fabricante. Las alarmas de humo no pueden detectar el monóxido de carbono.
- NO opere este producto dentro de hogares, garajes, sótanos, espacios reducidos, cobertizos u otros espacios parcialmente cerrados, incluso si usa ventiladores o deja las puertas y ventanas abiertas. El monóxido de carbono se puede acumular rápidamente en estos espacios y puede permanecer durante horas, incluso después de que se apaga este producto.
- SIEMPRE coloque este producto en la dirección del viento y apunte el escape del motor lejos de espacios habitados.

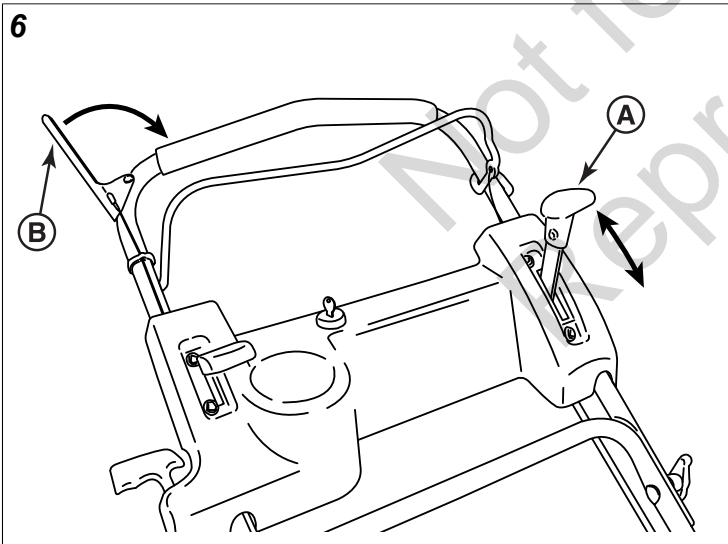
El motor del cortacésped está equipado con el sistema Ready Start™ de Briggs & Stratton. Este cuenta con un estrangulador automático controlado por temperatura. No se necesitan pasos adicionales para arrancar un motor frío.

1. Mueva el control de velocidad del motor (A, Figura 5si está equipado) hacia la posición Rápido ('Conejo').
2. Apriete el control de la cuchilla (B) contra el manillar.
3. Arranque el cortacésped:
 - Modelos de arranque manual: Tire de la manilla de arranque con cuerda (C) para arrancar el motor.
 - Modelos de arranque eléctrico: Inserte la llave (D) en el interruptor de arranque eléctrico. Gire la llave para arrancar el motor. Use ciclos de arranque cortos, con un máximo de cinco segundos, y espere 1 minuto entre los ciclos de arranque.
4. Para detener el motor (y la cuchilla), suelte el control de la cuchilla.
5. Después de que arranque el motor, permita que el motor se caliente brevemente hasta que funcione sin problemas, antes de comenzar con la operación del cortacésped.



Propulsión del cortacésped

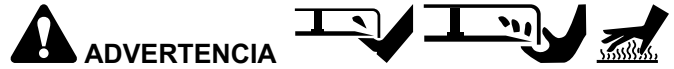
1. Arranque el cortacésped.
2. Mueva el control de velocidad de desplazamiento (A, Figura 6) a la posición de velocidad deseada.
3. Apriete el control de transmisión de las ruedas (B) contra el manillar para activar la tracción de las ruedas y propulsar el cortacésped hacia adelante. La velocidad hacia adelante se puede ajustar mientras el cortacésped está en movimiento; para esto, cambie la posición del control de velocidad de desplazamiento.



Detención del cortacésped

1. Para detener el movimiento hacia adelante del cortacésped, suelte el control de transmisión de las ruedas.
2. Para detener el motor y la cuchilla, suelte el control de la cuchilla.
3. Modelos de arranque eléctrico: Retire la llave del interruptor de arranque eléctrico.

Ajuste de la altura del manillar



Peligro de amputación

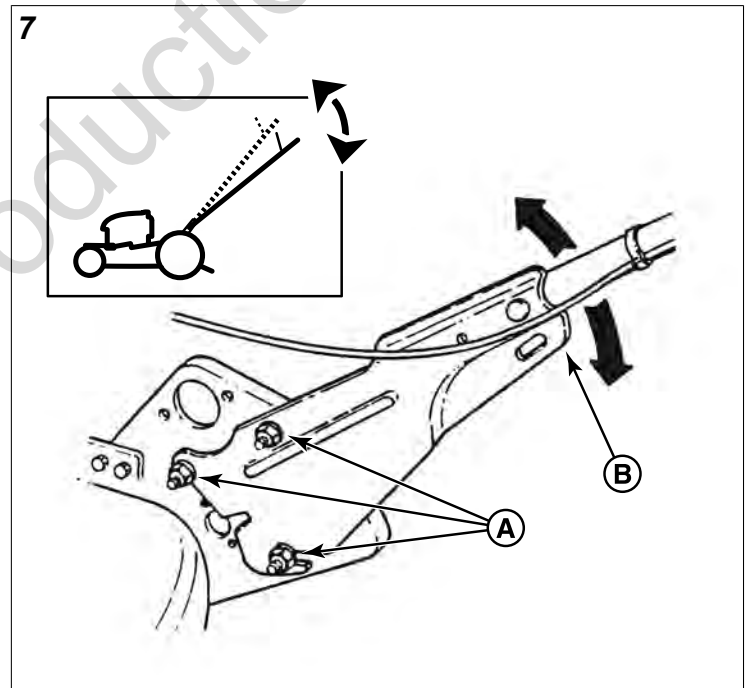
- NO intente realizar mantenimiento, ajustes o reparaciones con el motor y la cuchilla en funcionamiento.
- DETENGA el motor y la cuchilla.
- Desconecte el cable de la bujía y fíjelo lejos de la bujía.

Peligro de quemaduras

- El motor y los componentes están CALIENTES.
- Para evitar quemaduras graves, espere suficiente tiempo a que todos los componentes se enfríen.

La altura del manillar del cortacésped se puede ajustar de la siguiente manera:

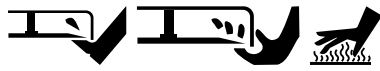
1. Afloje las tuercas inferiores (A, Figura 7) en cada manillar inferior.
2. Mueva el conjunto de manillar (B) hacia arriba o hacia abajo hasta lograr la posición deseada.
3. Apriete las tuercas inferiores en la parte inferior de cada lado del manillar para mantener la posición deseada.



Ajuste de altura de corte



ADVERTENCIA



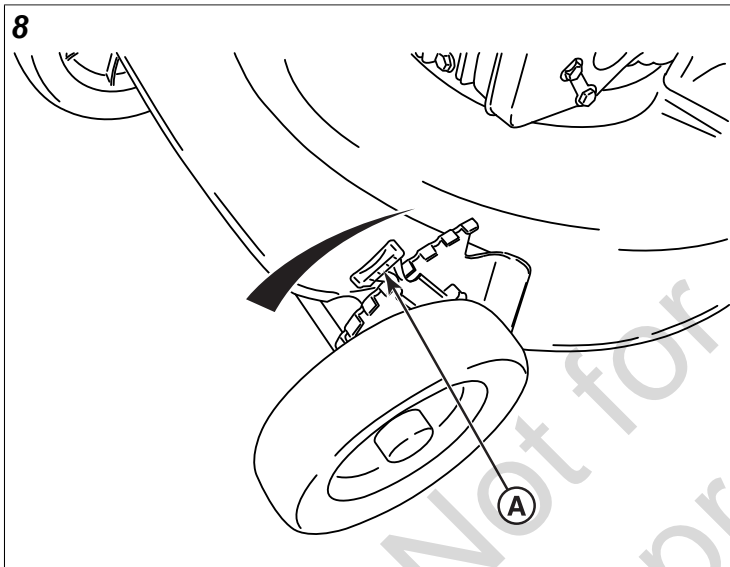
Peligro de amputación

- NO intente realizar mantenimiento, ajustes o reparaciones con el motor y la cuchilla en funcionamiento.
- DETENGA el motor y la cuchilla.
- Desconecte el cable de la bujía y fíjelo lejos de la bujía.

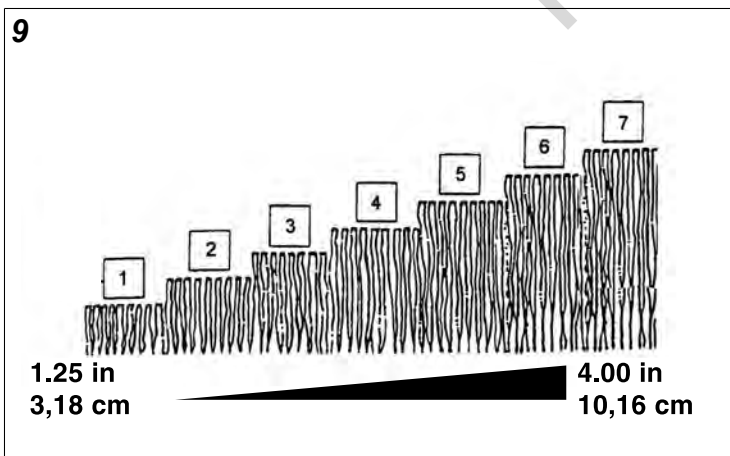
Peligro de quemaduras

- El motor y los componentes están CALIENTES.
- Para evitar quemaduras graves, espere suficiente tiempo a que todos los componentes se enfríen.

1. Tire del seguro de ajuste de altura (A, Figura 8) hacia afuera y mueva a la altura de corte deseada.



2. Ajuste todas las ruedas en la misma altura de corte. La posición de corte más alta es la ranura 7 (Figura 9). La posición de corte más baja es la ranura 1.



Operación de mantillo

Para obtener mejores resultados de mantillo, corte el césped hasta un máximo de 1/3 de la longitud de la cuchilla y reciclelo SOLO cuando esté seco.

1. Ajuste todas las ruedas en la posición de corte más alta (ranura 7). Ver **Ajuste de altura de corte**.
2. Mueva el control de velocidad del motor a la posición Rápido (Conejo).
3. Mueva el control de velocidad de desplazamiento al ajuste de velocidad más bajo.
4. Continúe con el corte de césped lentamente. Si el césped está muy denso, baje cada seguro de las ruedas posteriores una ranura más baja que los seguros de las ruedas delanteras para mejorar el rendimiento del mantillo.

Nota: La cubierta de mantillo debe permanecer en la máquina en todo momento, a menos que se desee una operación de descarga alternativa, como la descarga lateral o el ensacado.

Retiro de la cubierta de mantillo

(Accesorio opcional en algunos modelos)



ADVERTENCIA



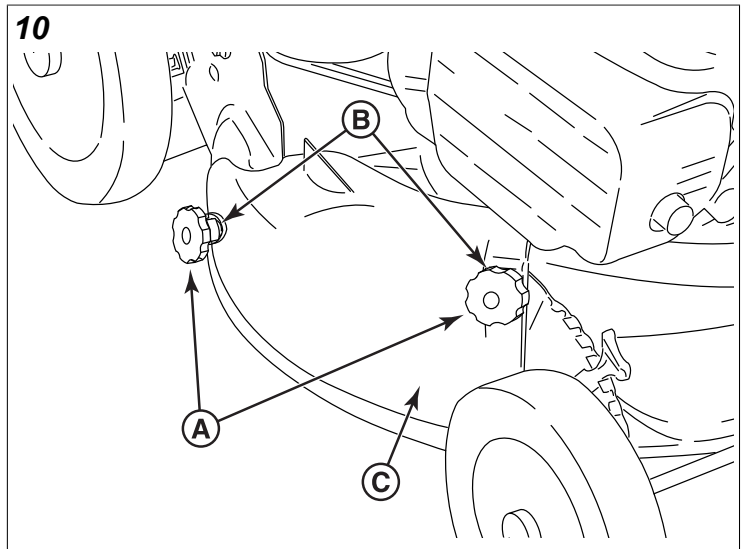
Peligro de amputación

- NO intente realizar mantenimiento, ajustes o reparaciones con el motor y la cuchilla en funcionamiento.
- DETENGA el motor y la cuchilla.
- Desconecte el cable de la bujía y fíjelo lejos de la bujía.

Peligro de quemaduras

- El motor y los componentes están CALIENTES.
- Para evitar quemaduras graves, espere suficiente tiempo a que todos los componentes se enfríen.

1. Retire las tuercas de perilla (A, Figura 10) y las arandelas de seguridad con dientes internos/externos (B) fijando la cubierta de mantillo (C) en la cubierta del cortacésped.
2. Retire la cubierta.



Instalación del deflector de descarga



ADVERTENCIA



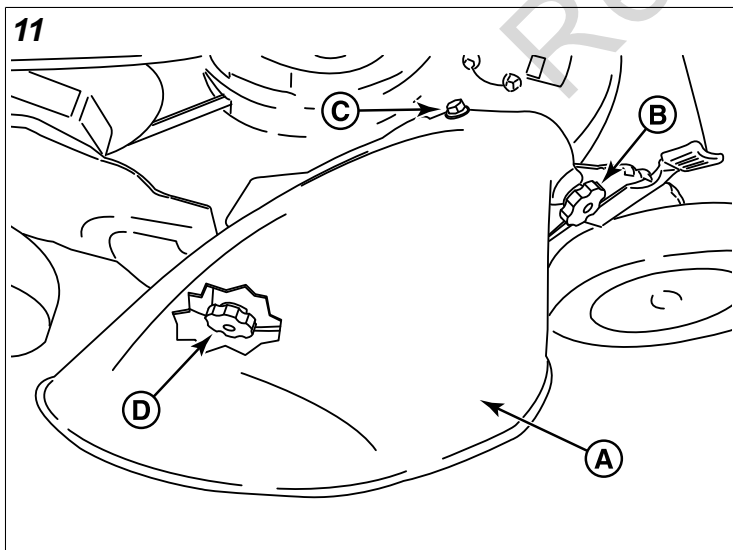
Peligro de amputación

- NO intente realizar mantenimiento, ajustes o reparaciones con el motor y la cuchilla en funcionamiento.
- DETENGA el motor y la cuchilla.
- Desconecte el cable de la bujía y fíjelo lejos de la bujía.

Peligro de quemaduras

- El motor y los componentes están CALIENTES.
- Para evitar quemaduras graves, espere suficiente tiempo a que todos los componentes se enfríen.

1. Retire la cubierta de mantillo. Ver **Operación de mantillo**.
2. Instalar el deflector (A, Figura 11) de la cubierta en lugar de la cubierta de mantillo, asegúrese que:
 - El orificio delantero (B) situado en el lado delantero externo del deflector debe encajar sobre el perno sin cabeza en el que estaba sujeta originalmente la cubierta de mantillo;
 - La ranura (C) situada en la parte superior del deflector se debe deslizar por debajo de la tuerca de sujeción situada en la parte superior de la plataforma (debajo de la esquina delantera derecha del motor);
 - La ranura (D) situada en la parte posterior interior del deflector se debe deslizar e insertar en el perno sin cabeza situado detrás de la parte posterior de la apertura de descarga, en la que originalmente estaba sujeta la cubierta de mantillo.
3. Instale las arandelas de seguridad con dientes internos y externos y las tuercas de la perilla en los pernos sin cabeza y apriete firmemente.



ADVERTENCIA



Peligro de objetos expulsados

NO opere la máquina sin el recogedor de césped completo o las protecciones en su lugar. Los componentes del recogedor de césped están sujetos a deterioro durante el uso normal. Inspeccione con frecuencia y reemplace inmediatamente los componentes dañados o desgastados.

Instalación del adaptador de la bolsa para césped

(Accesorio opcional en algunos modelos)



ADVERTENCIA



Peligro de amputación

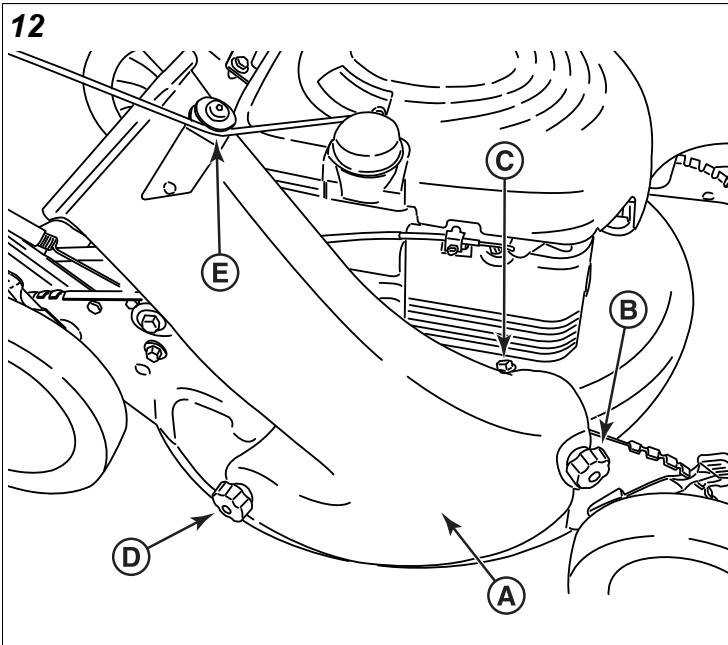
- NO intente realizar mantenimiento, ajustes o reparaciones con el motor y la cuchilla en funcionamiento.
- DETENGA el motor y la cuchilla.
- Desconecte el cable de la bujía y fíjelo lejos de la bujía.

Peligro de quemaduras

- El motor y los componentes están CALIENTES.
- Para evitar quemaduras graves, espere suficiente tiempo a que todos los componentes se enfríen.

1. Retire la cubierta de mantillo. Ver **Retiro de la cubierta de mantillo**.
2. Instale el adaptador (A, Figura 12) de la cubierta en lugar de la cubierta de mantillo, asegúrese que:
 - El orificio delantero (B) situado en el lado delantero externo del adaptador debe encajar sobre el perno sin cabeza en el que estaba sujeta originalmente la cubierta de mantillo.
 - La ranura (C) situada en la parte superior del adaptador se debe deslizar por debajo de la tuerca de sujeción situada en la parte superior de la plataforma (debajo de la esquina delantera derecha del motor).
 - La ranura (D) situada en el la parte posterior del adaptador se debe deslizar e insertar en el perno sin cabeza situado detrás de la parte posterior de la apertura de descarga, en la que originalmente estaba sujeta la cubierta de mantillo.
3. Instale las arandelas de seguridad con dientes internos y externos y las tuercas de la perilla en los pernos sin cabeza y apriete firmemente.
4. Dirija la cuerda de retroceso alrededor del exterior de la polea de guía de la cuerda (E).

Nota: Es posible que deba aflojar la cuerda de retroceso. Ver **Arranque del cortacésped**.



Instalación del tapón de mantillo

(Accesorio opcional en algunos modelos)



ADVERTENCIA Peligro de amputación

- NO intente realizar mantenimiento, ajustes o reparaciones con el motor y la cuchilla en funcionamiento.
- DETENGA el motor y la cuchilla.
- Desconecte el cable de la bujía y fíjelo lejos de la bujía.

Peligro de quemaduras

- El motor y los componentes están CALIENTES.
- Para evitar quemaduras graves, espere suficiente tiempo a que todos los componentes se enfríen.

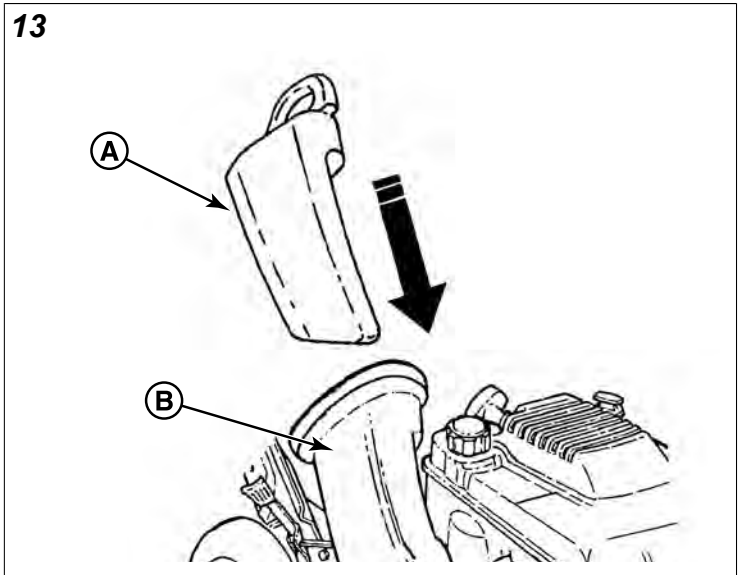
1. Instale el tapón de mantillo (A, Figura 13) si se desea el mantillo luego de que se instale el adaptador de la bolsa. Instale el tapón de mantillo completa y firmemente en el adaptador de la bolsa (B).
2. Instale la bolsa para césped como un resguardo y para fijar aún más el tapón de mantillo.



ADVERTENCIA Peligro de objetos arrojados

Instale la bolsa para césped cuando use el tapón para mantillo. No hacerlo puede provocar lesiones corporales o la muerte.

3. Ver **Operación de mantillo**.



Instalación de la bolsa para césped

(Accesorio opcional en algunos modelos)



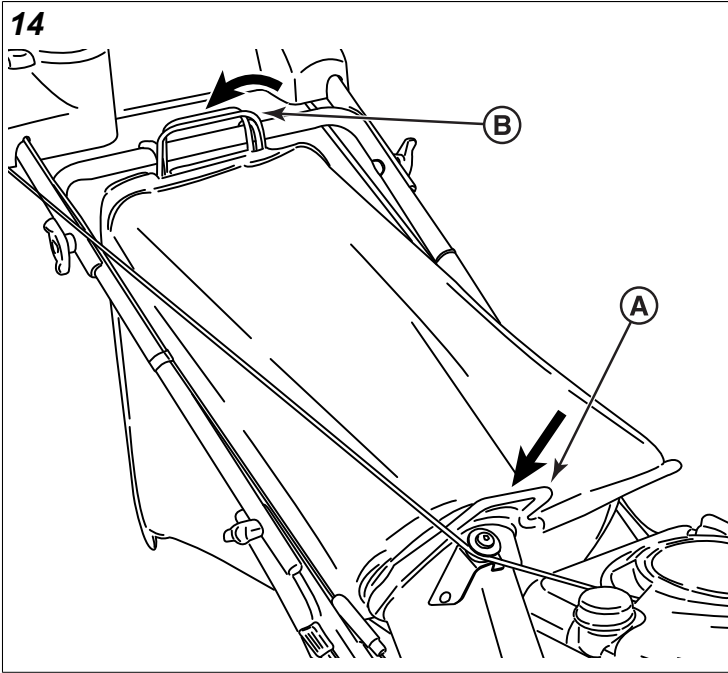
ADVERTENCIA Peligro de amputación

- NO intente realizar mantenimiento, ajustes o reparaciones con el motor y la cuchilla en funcionamiento.
- DETENGA el motor y la cuchilla.
- Desconecte el cable de la bujía y fíjelo lejos de la bujía.

Peligro de quemaduras

- El motor y los componentes están CALIENTES.
- Para evitar quemaduras graves, espere suficiente tiempo a que todos los componentes se enfríen.

1. Instale el adaptador de la bolsa para césped. Ver **Instalación del adaptador de la bolsa para césped**.
2. Instalar la bolsa para césped deslizando el conector (A, Figura 14) sobre el reborde del adaptador.
3. Coloque los ganchos de la bolsa para césped (B) en la barra transversal en la parte media del manillar.



⚠️ ADVERTENCIA

Peligro de operación no segura

Las bolsas del recogedor de césped están hechas de tela tejida y están sujetas a deterioro y desgaste durante el uso normal. Revise la condición de la bolsa antes de cada uso. Reemplace inmediatamente las bolsas del recogedor que estén desgastadas o dañadas solo con bolsas de repuesto originales. El recogedor de césped es un equipo opcional en algunos modelos.

Carga de la batería

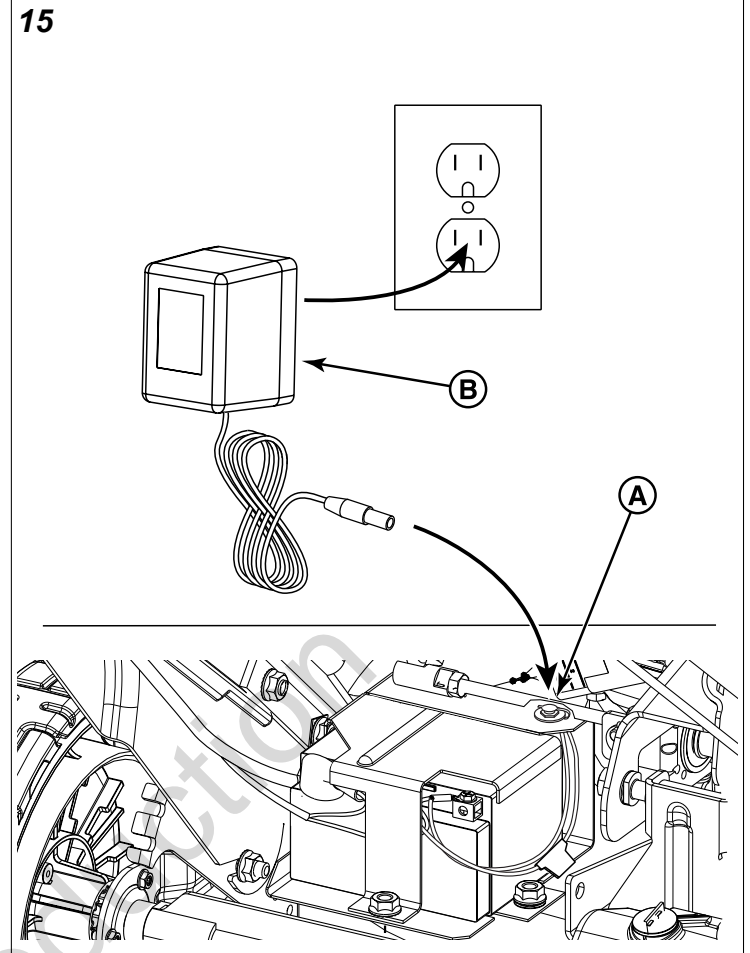
(Accesorio opcional en algunos modelos)

La batería que se proporciona con el cortacésped está sellada y no necesita mantenimiento. No requiere cuidados especiales, además de mantenerla cargada adecuadamente. Solo use el cargador que se proporciona con el cortacésped cuando cargue la batería.

Cargue la batería después de cada uso y si la batería se ha almacenado por más de 30 días. El tiempo necesario para cargar la batería varía, pero generalmente 16 a 24 horas serán suficientes para que la batería esté completamente cargada.

1. Retire la tapa para el polvo de la toma del cargador (A, Figura 15).
2. Enchufe el cargador de la batería (B) en la toma del cargador.
3. Enchufe el cargador en un tomacorriente de pared de 120 voltios.
4. Cargue la batería por un período de 16 a 24 horas. (Cargar la batería por más tiempo no la dañará).
5. Desenchufe el cargador del tomacorriente de pared.
6. Desenchufe el cargador de la toma del cargador.

7. Vuelva a colocar la tapa para el polvo en la toma del cargador.



⚠️ ADVERTENCIA 

Peligro de explosión

Evite heridas graves y daños a la propiedad.

- NO intente cargar esta batería con un cargador para automóviles o con un cargador rápido para baterías.
- NO intente arrancar con puente un cortacésped que tiene una batería sin carga.
- Siempre use el cargador que se proporciona con este cortacésped para cargar la batería.

Mantenimiento

Servicio de control de emisiones

Cualquier establecimiento o individuo especializado en la reparación de motores que no sean de automoción puede encargarse del mantenimiento, la sustitución y la reparación de los dispositivos y sistemas de control de emisiones. Sin embargo, para recibir el servicio de control de emisiones "sin cargo", debe realizarlo un distribuidor autorizado por la fábrica. Ver Declaraciones de Control de Emisiones.

Tabla de mantenimiento



ADVERTENCIA

Peligro de amputación

- NO intente realizar mantenimiento, ajustes o reparaciones con el motor y la cuchilla en funcionamiento.
- DETENGA el motor y la cuchilla.
- Desconecte el cable de la bujía y fíjelo lejos de la bujía.

Peligro de quemaduras

- El motor y los componentes están CALIENTES.
- Para evitar quemaduras graves, espere suficiente tiempo a que todos los componentes se enfríen.

Peligro de laceración

- Use guantes gruesos de cuero cuando manipule o trabaje alrededor de las cuchillas de corte.
- Las cuchillas son extremadamente afiladas y pueden provocar lesiones graves.

CORTACÉSPED
Cada 8 horas o a diario
Revise el sistema de interbloqueo de seguridad
Limpie los residuos del cortacésped
Cada 25 horas o anualmente *
Compruebe si hay piezas sueltas en el cortacésped
Consulte con el distribuidor anualmente para
Lubricar el cortacésped
Revisar la cuchilla del cortacésped **
Verifique el tiempo de detención de la cuchilla del cortacésped
Revisar la correa de transmisión
Limpie la batería y los cables

*Lo que ocurra primero

**Revise la cuchilla con mayor frecuencia en regiones con suelos arenosos o condiciones muy polvorientas

MOTOR
Primeras 5 horas
Cambie el aceite del motor
Cada 8 horas o a diario
Compruebe el nivel de aceite del motor
Cada 25 horas o anualmente *
Limpie el filtro de aire y el prefiltrador del motor (si está equipado) **
Cada 50 horas o anualmente *
Cambie el aceite del motor
Reemplace el filtro de aceite (si tiene)
Anualmente
Reemplace el filtro de aire
Reemplace el pre-filtro (si tiene)
Consulte con el distribuidor anualmente para
Inspeccionar el silenciador y el supresor de chispas (si está equipado)
Reemplace la bujía
Cambie el filtro de aceite (si tiene)

MOTOR

Limpia el sistema de enfriamiento de aire del motor

*Lo que ocurra primero

** Limpie con mayor frecuencia en condiciones polvorientas o cuando haya desechos transportados por aire

Cambie el aceite del motor



ADVERTENCIA

Peligro de amputación

- NO intente realizar mantenimiento, ajustes o reparaciones con el motor y la cuchilla en funcionamiento.
- DETENGA el motor y la cuchilla.
- Desconecte el cable de la bujía y fíjelo lejos de la bujía.

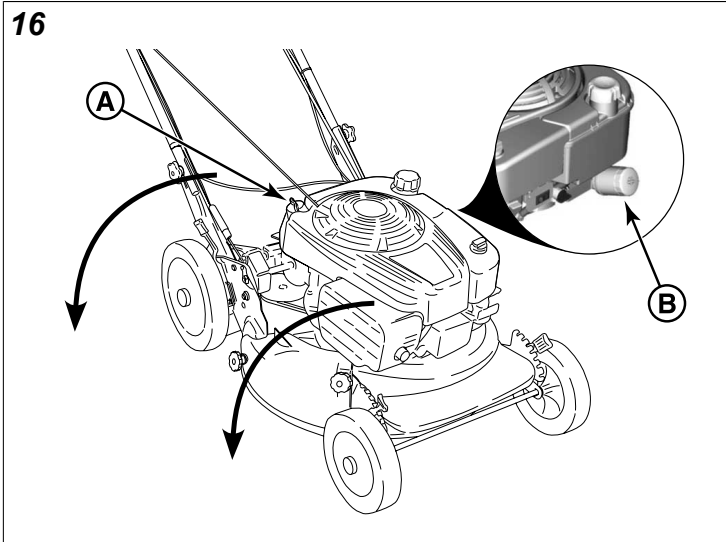
Peligro de quemaduras

- El motor y los componentes están CALIENTES.
- Para evitar quemaduras graves, espere suficiente tiempo a que todos los componentes se enfríen.

Peligro de laceración

- Use guantes gruesos de cuero cuando manipule o trabaje alrededor de las cuchillas de corte.
- Las cuchillas son extremadamente afiladas y pueden provocar lesiones graves.

1. Vacíe completamente el tanque de combustible.
2. Retire la varilla indicadora de nivel de aceite (A, Figura 16), luego, coloque el cortacésped sobre uno de sus lados. Espere a que el aceite salga del tubo de llenado de aceite y se vierta sobre un contenedor apropiado. Deseche el aceite usado adecuadamente.
3. Coloque el cortacésped en posición vertical y llene el motor con aceite para motor hasta la marca que indica "lleno" de la varilla. Consulte la sección titulada "Recomendaciones de aceite". No llene en exceso.



AVISO

Vacíe completamente el tanque de combustible antes de inclinar el cortacésped. NO incline la máquina con el carburador o la bujía hacia abajo. El aceite del cárter saturará el filtro del aire y dificultará o imposibilitará el arranque del motor. Si se produce algún tipo de contaminación, tendrá que reemplazar el filtro del aire.

Cambio del filtro de aceite

(Si está equipado)

1. Vacíe el aceite del motor. Ver **Cambie el aceite del motor**.
2. Retire el filtro de aceite (B, Figura 16) y deséchelo adecuadamente.
3. Antes de instalar el nuevo filtro de aceite, lubrique ligeramente la empaquetadura del filtro de aceite con aceite limpio y fresco.
4. Instale el filtro de aceite con la mano hasta que la junta haga contacto con el adaptador del filtro de aceite, luego apriételo 1/2 a 3/4 de vuelta.
5. Agregue aceite. Ver **Cambie el aceite del motor**.
6. Arranque y haga funcionar el motor. A medida que el motor se calienta, revise si hay fugas de aceite.
7. Detenga el motor y revise el nivel de aceite. Debería estar en la parte superior del indicador de lleno en la varilla de aceite.

Mantenimiento del filtro de aire



ADVERTENCIA

Peligro de incendio

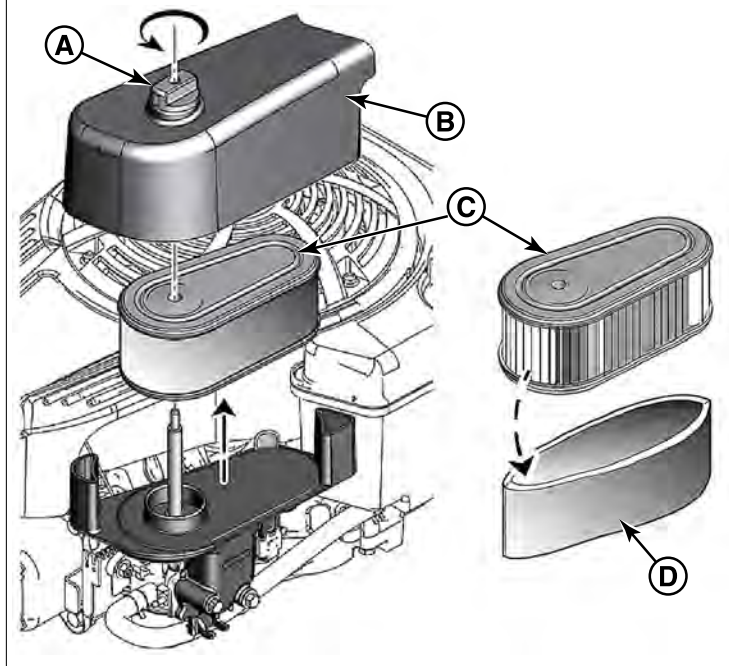
Nunca encienda o haga funcionar el motor sin el conjunto del purificador de aire (si tiene) o el filtro de aire (si tiene).

AVISO

No use aire presurizado ni solventes para limpiar el filtro. El aire presurizado puede dañar el filtro y los solventes lo disuelven.

1. Retire el(los) sujetador(es) (A, Figura 17) y quite la tapa del filtro de aire (B).
2. Retire el prelimpiador (C) y el filtro (D).
3. Para soltar la suciedad, golpee suavemente el filtro sobre una superficie dura. Si el filtro está excesivamente sucio, cámbielo por otro nuevo.
4. Lave el prefiltro con detergente líquido y agua. Luego deje que se seque completamente al aire. No aplique aceite en el prelimpiador.
5. Monte el prelimpiador seco en el filtro de aire.
6. Instale el filtro y el prelimpiador en la base (E). Asegúrese de que el filtro encaje firmemente en la base.
7. Instale la cubierta del filtro de aire y fíjela con el sujetador. Asegúrese de que el sujetador esté ajustado.

17



Mantenimiento del filtro de aire

Consulte la figura: 18, 19



ADVERTENCIA

El combustible y sus vapores son extremadamente inflamables y explosivos.

El fuego o la explosión pueden causar quemaduras graves o la muerte.

- Nunca encienda ni haga funcionar el motor sin retirar el conjunto del purificador de aire o el filtro de aire, si posee.

AVISO No use aire presurizado ni solventes para limpiar el filtro. El aire presurizado puede dañar el filtro y los solventes lo disuelven.

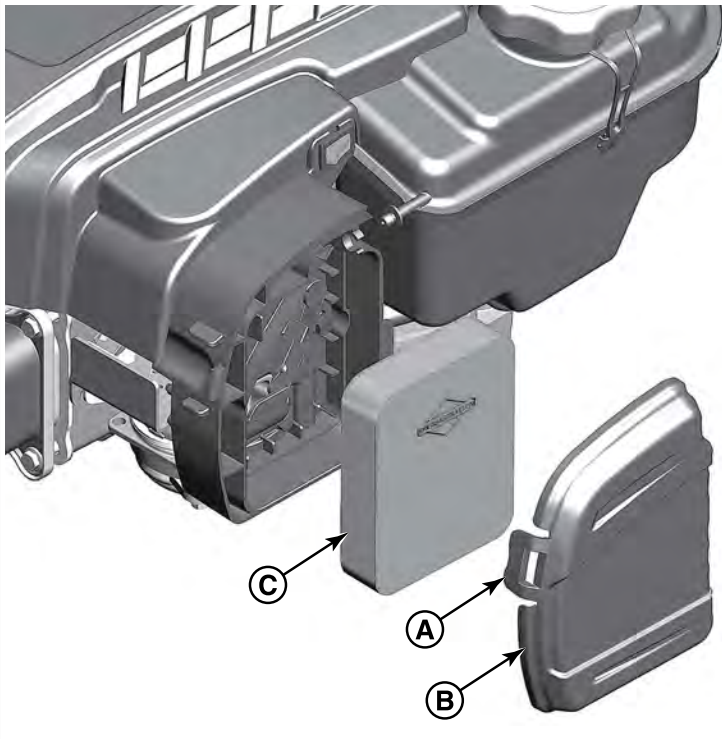
Consulte la sección **Plan de mantenimiento** para conocer los requisitos de servicio.

Varios modelos usan filtros de espuma o de papel. Algunos modelos además pueden tener un pre-purificador adicional que puede lavarse y volver a usar. Compare las ilustraciones de este manual con el tipo instalado en su motor y realice el mantenimiento como se indica a continuación.

Filtro de aire

1. Quite el(los) sujetador(es) (A, Figura 18).

18

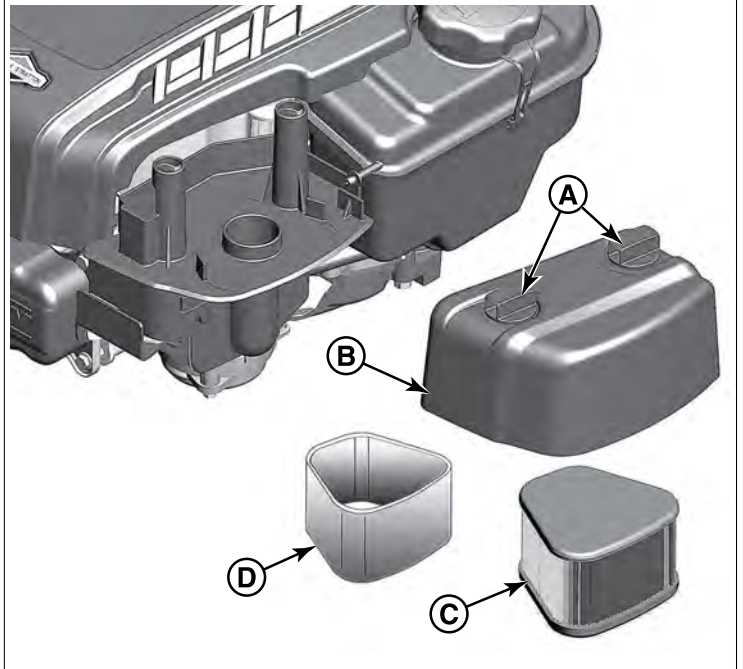


2. Retire la cubierta (B, Figura 18).
3. Para evitar que caigan residuos en el carburador, retire con cuidado el elemento de espuma (C, Figura 18) de la base del filtro de aire.
4. Retire el elemento de espuma (C, Figura 18), si posee, en detergente líquido y agua. Seque (presionado) el elemento de espuma con un paño limpio.
5. Retire el elemento de espuma (C, Figura 18) con aceite limpio de motor. Para quitar el exceso de aceite de motor, escurra el elemento de espuma en un paño limpio.
6. Instale el elemento de espuma (C, Figura 18) sobre la base del filtro de aire.
7. Instale la cubierta (B, Figura 18) y ajústela con los sujetadores (A).

Filtro de aire de papel

1. Afloje los sujetadores (A, Figura 19).

19



2. Retire la cubierta (B, Figura 19).
3. Para evitar que caigan residuos al carburador, retire con cuidado el prefiltro (D, Figura 19) y el filtro (C) de la base de filtro de aire.
4. Separe el prefiltro (D, Figura 19), si tiene, de filtro (C).
5. Golpee suavemente el filtro contra una superficie dura (C, Figura 19) para desprender los residuos. Si el filtro está excesivamente sucio, cámbielo por otro nuevo.
6. Lave el prefiltro (D, Figura 19), si tiene, en detergente líquido y agua. Permita que el prefiltro se seque al aire completamente. **No** engrase el prefiltro.
7. Monte el prefiltro seco (D, Figura 19), si tiene, en el filtro (C).
8. Instale el filtro (C, Figura 19) y el pre filtro (D), si tiene, sobre la base de filtro de aire. Asegúrese de que el filtro encaje firmemente sobre la base de filtro de aire.
9. Instale la cubierta (B, Figura 19) y asegure con sujetadores (A). Asegúrese de que todos estén bien ajustados.

Verificación del sistema de interbloqueo de seguridad

1. Arranque el cortacésped.
2. Suelte el control de la cuchilla. El motor debe detenerse en 3 segundos.



ADVERTENCIA

Peligro de operación no segura

Si el motor no se detiene completamente dentro de 3 segundos, no utilice el cortacésped. Devuelva el cortacésped a un distribuidor autorizado para realizar mantenimiento.

Limpeza de los residuos del cortacésped



ADVERTENCIA



Peligro de amputación

- NO intente realizar mantenimiento, ajustes o reparaciones con el motor y la cuchilla en funcionamiento.
- DETENGA el motor y la cuchilla.
- Desconecte el cable de la bujía y fíjelo lejos de la bujía.

Peligro de quemaduras

- El motor y los componentes están CALIENTES.
- Para evitar quemaduras graves, espere suficiente tiempo a que todos los componentes se enfríen.

Peligro de laceración

- Use guantes gruesos de cuero cuando manipule o trabaje alrededor de las cuchillas de corte.
- Las cuchillas son extremadamente afiladas y pueden provocar lesiones graves.

1. Limpie la suciedad y los residuos de la parte superior de la cubierta del cortacésped.
2. Limpie cualquier acumulación de residuos que haya en o alrededor del motor, etc.

Mientras realiza la limpieza, revise los componentes en busca de daños o desgaste. Reemplace inmediatamente los componentes desgastados o dañados.

Procedimiento de almacenamiento



ADVERTENCIA



Peligro de amputación

- NO intente realizar mantenimiento, ajustes o reparaciones con el motor y la cuchilla en funcionamiento.
- DETENGA el motor y la cuchilla.
- Retire la batería (de estar equipada).

Peligro de quemaduras

- El motor y los componentes están CALIENTES.
- Para evitar quemaduras graves, espere suficiente tiempo a que todos los componentes se enfríen.

Peligro de laceración

- Use guantes gruesos de cuero cuando manipule o trabaje alrededor de las cuchillas de corte.
- Las cuchillas son extremadamente afiladas y pueden provocar lesiones graves.

Prepare el cortacésped para su almacenamiento de fin de temporada de la siguiente manera:

1. Desconecte el cable de la bujía y fíjelo lejos de la bujía.
2. Vacíe el tanque de combustible y deje que el motor funcione hasta que el carburador quede sin combustible.

Nota: Si se utiliza un estabilizador de combustible, no es necesario vaciar el tanque de combustible. Consulte

Almacenamiento: sistema de combustible.

3. Use un cepillo o aire comprimido para quitar los residuos sueltos y luego use un paño húmedo para limpiar la unidad.
4. Incline el cortacésped hacia arriba sobre sus ruedas posteriores e inspeccione la parte inferior de la cubierta. (No incline el cortacésped con la bujía o el carburador hacia abajo). Raspe las acumulaciones difíciles de césped con una espátula o un cepillo de alambre.
5. Lubrique todo el metal expuesto con una capa delgada de aceite para impedir la corrosión.
6. Doble cuidadosamente el manillar, y flexione los cables de control para evitar que se dañen.
7. Almacene el cortacésped en un cobertizo u otra área seca que esté protegido contra las inclemencias del tiempo.

AVISO No levante la unidad sobre uno de los extremos.

Almacenamiento: sistema de combustible

El combustible puede echarse a perder cuando se conserva en un contenedor de almacenamiento durante más de 30 días. Cada vez que llene el contenedor con combustible, agregue STA-BIL 360[®] PROTECTION™ al combustible tal como se especifica en las instrucciones del fabricante. Esto lo mantiene fresco y disminuye los problemas relacionados con el combustible o la contaminación en el sistema de combustible.

No es necesario drenar el combustible del motor

cuando STA-BIL 360[®] PROTECTION™ se agrega según las instrucciones. Antes de su almacenamiento, ENCENDIDO el motor durante 2 minutos para que el combustible y el estabilizador recorran todo el sistema de combustible.

Desconexión



ADVERTENCIA



Peligro de amputación

- NO intente realizar mantenimiento, ajustes o reparaciones con el motor y la cuchilla en funcionamiento.
- DETENGA el motor y la cuchilla.
- Desconecte el cable de la bujía y fíjelo lejos de la bujía.

Peligro de quemaduras

- El motor y los componentes están CALIENTES.
- Para evitar quemaduras graves, espere suficiente tiempo a que todos los componentes se enfríen.

Peligro de laceración

- Use guantes gruesos de cuero cuando manipule o trabaje alrededor de las cuchillas de corte.
- Las cuchillas son extremadamente afiladas y pueden provocar lesiones graves.

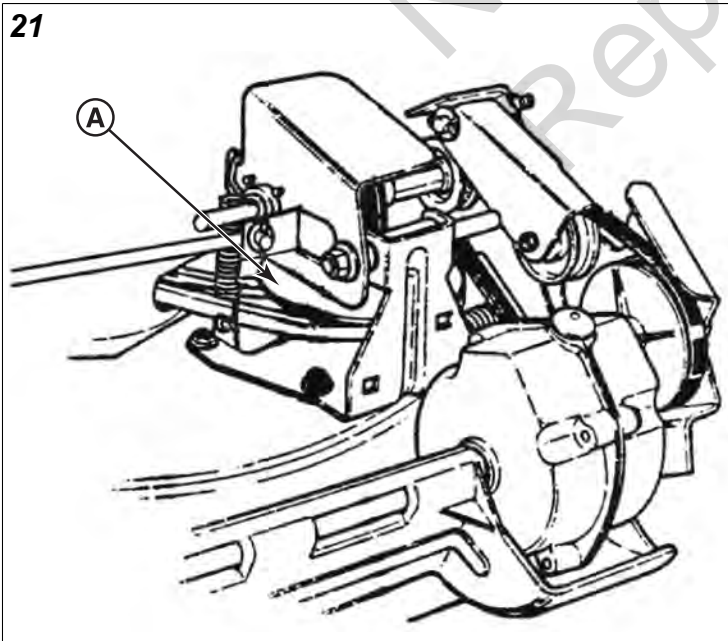
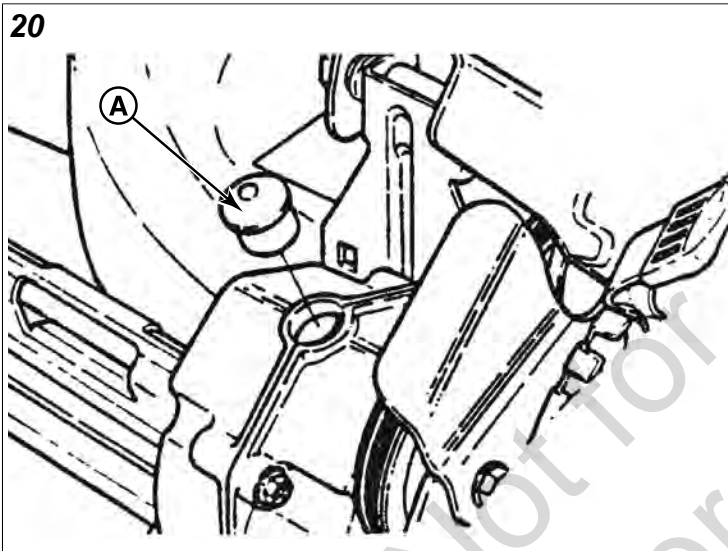
Revisión del nivel de grasa en la transmisión

1. Retire el tapón de llenado de la transmisión (A, Figura 20). Ruede la máquina hacia delante o hacia atrás mientras mira el orificio del tapón.
2. Si no se ve grasa líquida en el engranaje de entrada (el engranaje pequeño situado debajo del orificio del tapón), agregue una determinada cantidad de grasa Snapper "00" para cubrir el engranaje.

Nota: La grasa Snapper "00" (n.º de pieza 7029443) está disponible a través de su distribuidor.

Nota: No derrame grasa o aceite en la superficie del disco de transmisión (A, Figura 21).

3. Vuelva a instalar el tapón de la transmisión.
4. Revise el nivel de grasa después de cada 25 horas de funcionamiento.



Revisión de la cuchilla del cortacésped

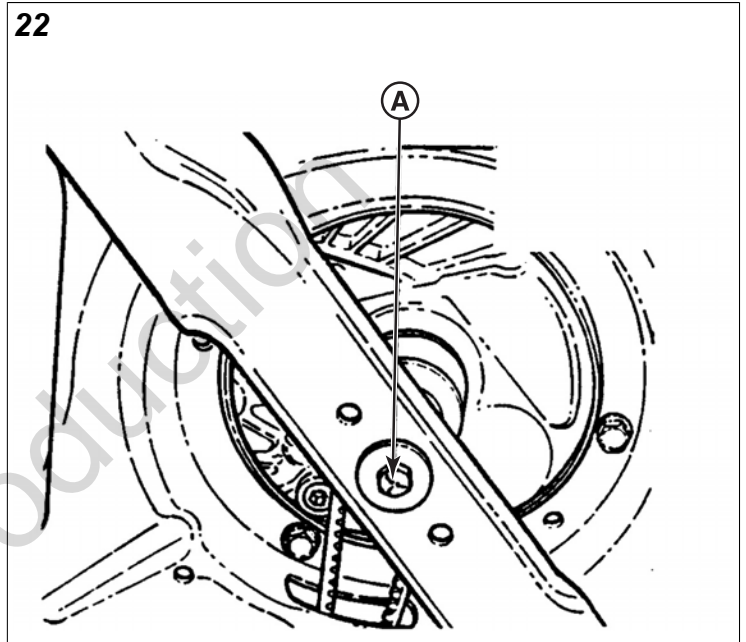
1. Desconecte el cable de la bujía y fije el extremo lejos de la bujía.

2. Incline hacia arriba el cortacésped sobre sus ruedas posteriores para acceder al tornillo de cabeza de la cuchilla (A, Figura 22). No incline el cortacésped con la bujía o el carburador hacia abajo.

AVISO

Vacíe el tanque de combustible antes de inclinar el cortacésped. NO incline la máquina con el carburador o la bujía hacia abajo. El aceite del cárter saturará el filtro del aire y dificultará o imposibilitará el arranque del motor. Si se produce algún tipo de contaminación, tendrá que reemplazar el filtro del aire.

3. Revise la torsión del tornillo de cabeza de la cuchilla. Torque recomendado: 40 54 Nm.
4. Revise si la cuchilla está afilada, desgastada o tiene daños. Ver **Límites de desgaste de la cuchilla**.



Revisión de la correa de transmisión del motor

- Inspeccione visualmente la correa de transmisión del motor por si estuviese agrietada, deshilachada o expuesta. Si está desgastada o dañada, reemplace la correa antes de poner en funcionamiento el cortacésped.

Revisión de la correa de transmisión

- Inspeccione visualmente la correa Poly-V por si estuviese agrietada, deshilachada o expuesta. Si está desgastada o dañada, reemplace la correa antes de poner en funcionamiento el cortacésped.

Reemplazo de la cuchilla del cortacésped



ADVERTENCIA

Peligro de amputación

- NO intente realizar mantenimiento, ajustes o reparaciones con el motor y la cuchilla en funcionamiento.
- DETENGA el motor y la cuchilla.
- Desconecte el cable de la bujía y fíjelo lejos de la bujía.

Peligro de quemaduras

- El motor y los componentes están CALIENTES.
- Para evitar quemaduras graves, espere suficiente tiempo a que todos los componentes se enfríen.

Peligro de laceración

- Use guantes gruesos de cuero cuando manipule o trabaje alrededor de las cuchillas de corte.
- Las cuchillas son extremadamente afiladas y pueden provocar lesiones graves.



ADVERTENCIA

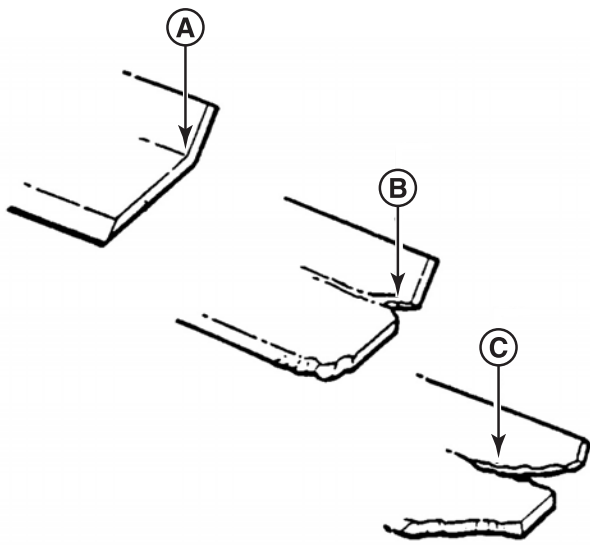
Peligro de operación no segura

NO use una cuchilla de corte que muestre señales de desgaste o daños excesivos.

Límites de desgaste de la cuchilla estándar

1. Inspeccionar la cuchilla (Figura 23) frecuentemente en busca de señales de daños o desgaste excesivos:
 - (A) Cuchilla nueva
 - (B) Límite de desgaste (inicio de la ranura)
 - (C) ¡Condición peligrosa! ¡No la use en el cortacésped! Cambie la cuchilla por una nueva.

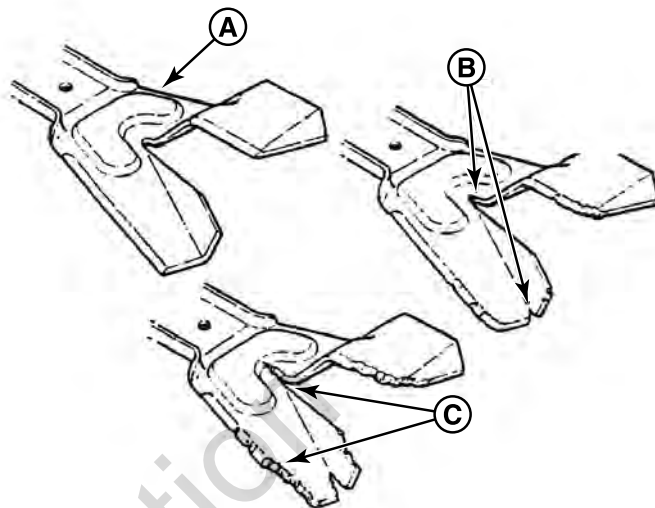
23



Límite de desgaste de la cuchilla Ninja

1. Inspeccionar la cuchilla (Figura 24) frecuentemente en busca de señales de daños o desgaste excesivos:
 - (A) Cuchilla nueva
 - (B) Límite de desgaste (comienzan a aparecer grietas o ranuras en la punta)
 - (C) ¡Condición peligrosa! ¡No la use en el cortacésped! Cambie la cuchilla por una nueva.

24



Afilado de la cuchilla

1. Desconecte el cable de la bujía y fije el extremo lejos de la bujía.
2. Incline el cortacésped hacia arriba sobre sus ruedas posteriores. No incline el cortacésped con la bujía o el carburador hacia abajo.

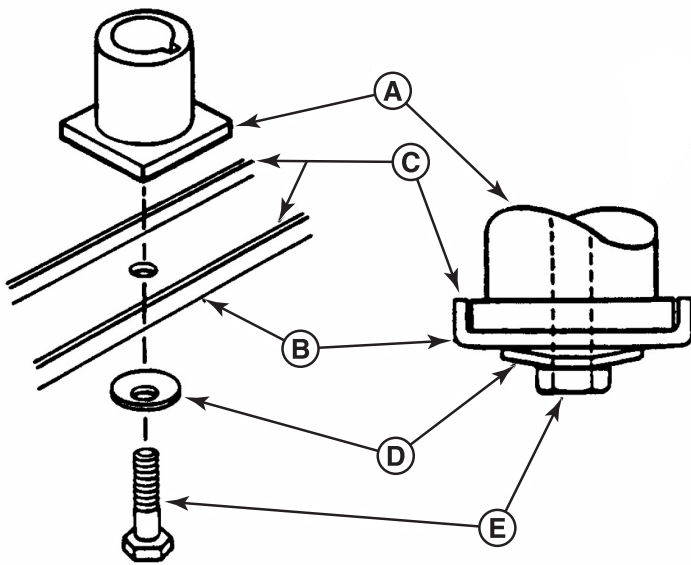
AVISO

Vacíe el tanque de combustible antes de inclinar el cortacésped. NO incline la máquina con el carburador o la bujía hacia abajo. El aceite del cárter saturará el filtro del aire y dificultará o imposibilitará el arranque del motor. Si se produce algún tipo de contaminación, tendrá que reemplazar el filtro del aire.

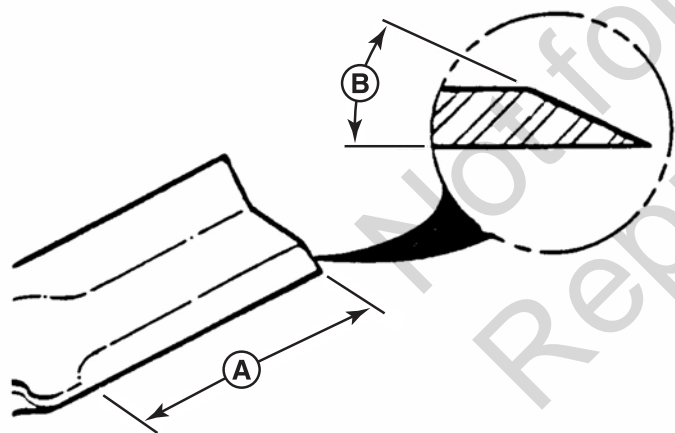
3. Retire la cuchilla (B, Figura 25).
4. Afile la cuchilla con una lima a un ángulo que oscile entre los 22 y los 28 grados (B, Figura 26). NO afile la cuchilla más allá del borde de corte original (A).
5. Revise la cuchilla y asegúrese de que esté equilibrada. Si fuese necesario, afile mucho el extremo de la cuchilla para corregir el equilibrio.
6. Vuelva a colocar la cuchilla (B, Figura 25). Tenga en cuenta el orden correcto del montaje:
 - (A) Cubo de la cuchilla
 - (B) Cuchilla
 - (C) Reborde de la cuchilla (orientado hacia arriba)
 - (D) Arandela cónica (lado cóncavo hacia arriba)
 - (E) Tornillo de cabeza

7. Revise la torsión del tornillo de sujeción de la cuchilla.
Torque recomendado: 54 Nm.

25



26



Ajuste del control de transmisión de las ruedas



ADVERTENCIA

Peligro de amputación

- NO intente realizar mantenimiento, ajustes o reparaciones con el motor y la cuchilla en funcionamiento.
- DETENGA el motor y la cuchilla.
- Desconecte el cable de la bujía y fíjelo lejos de la bujía.

Peligro de quemaduras

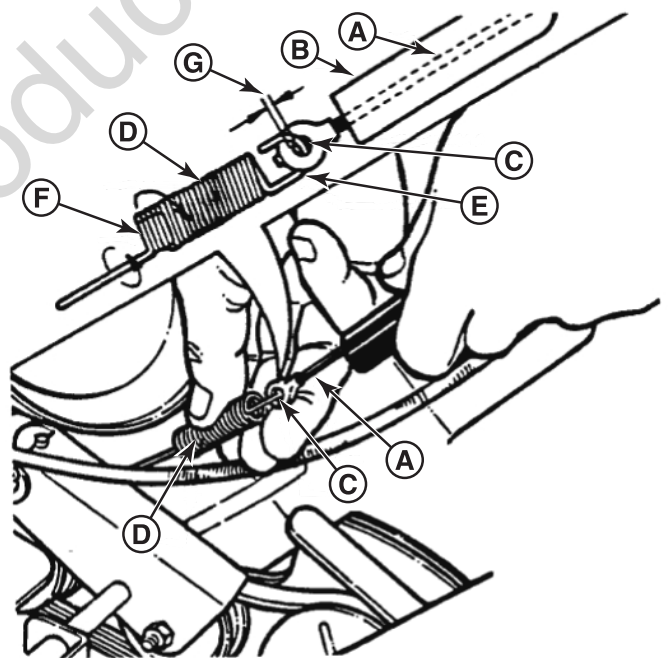
- El motor y los componentes están CALIENTES.
- Para evitar quemaduras graves, espere suficiente tiempo a que todos los componentes se enfríen.

1. El control de transmisión de las ruedas está adecuadamente ajustado cuando hay 1/16" a 1/8" (1.6 - 3.2 mm) de espacio (G, Figura 27) entre el gancho del resorte interno (E) y el interior del anillo del cable del embrague (C) con el control de transmisión de las ruedas liberado.
2. Para ajustar, desenganche el resorte superior (D) del anillo del cable y gire el resorte en la dirección necesaria para alargar o acortar la longitud del resorte.
3. Vuelva a enganchar el resorte superior al anillo del cable y revise la distancia. Repita el procedimiento si es necesario.

Nota: La cubierta de vinilo del resorte (B) debe permanecer sobre el resorte en todo momento, excepto para los ajustes.

4. Si el control de transmisión de las ruedas no vuelve rápidamente a la posición APAGADO cuando se libera, asegúrese de que no esté agarrado en los sujetacables situados en el lado derecho del manillar. El sujetador superior debe estar ubicado a 5 cm (2 pulgadas) por debajo de la perilla superior; el sujetador inferior debe estar ubicado a 10 cm (4 pulgadas) por encima de la perilla inferior. El cable debe deslizarse sin ninguna obstrucción con los sujetadores instalados en estas ubicaciones.

27



Mantenimiento del disco impulsado y de transmisión



ADVERTENCIA



Peligro de amputación

- NO intente realizar mantenimiento, ajustes o reparaciones con el motor y la cuchilla en funcionamiento.
- DETENGA el motor y la cuchilla.
- Desconecte el cable de la bujía y fíjelo lejos de la bujía.

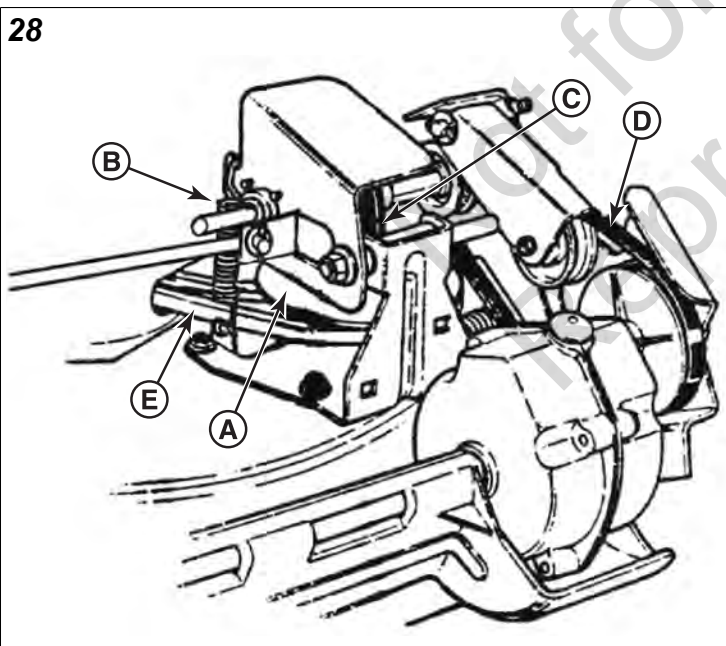
Peligro de quemaduras

- El motor y los componentes están CALIENTES.
- Para evitar quemaduras graves, espere suficiente tiempo a que todos los componentes se enfríen.

Si el cortacésped no se propulsa a sí mismo correctamente, revise si existen los siguientes problemas:

1. Hay grasa en el disco de transmisión (A, Figura 28) causando el deslizamiento.
2. El resorte de transmisión está roto o desconectado (B).
3. El disco impulsado (C) está desajustado.
4. La goma del disco impulsado está desgastada; no hace un contacto adecuado con el disco de transmisión.
5. La correa Poly-V (D) o la correa de transmisión del motor (E) están desgastadas.

28



Si alguna de las causas anteriores (del 1 al 5) está ocasionando problemas, realice lo siguiente:

Limpieza del disco de transmisión y del disco impulsado

Si el aceite o la grasa del disco de transmisión o del disco impulsado están causando el deslizamiento, limpie los discos de la siguiente manera:

1. Limpie cualquier resto de aceite o grasa con un paño limpio.

2. Utilice un disolvente para grasas aprobado o agua caliente con jabón para limpiar el disco de transmisión o el disco impulsado.
3. Enjuague los componentes con agua.
4. Seque los componentes con un paño limpio.

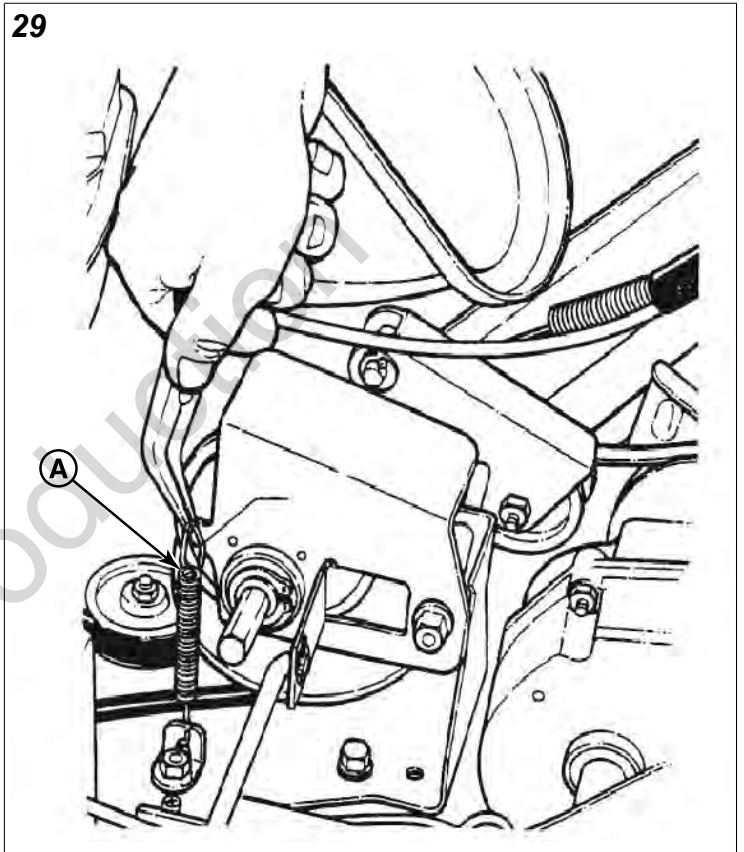
Reparación o reemplazo del resorte de transmisión

Si el resorte de transmisión (A, Figura 29) está suelto, vuelva a conectarlo. Si el resorte está roto, reemplácelo con uno nuevo.

Nota: Utilice unos alicates de punta para instalar el resorte de transmisión.

Si el sistema de transmisión sigue patinando, consulte **Solución de problemas**.

29

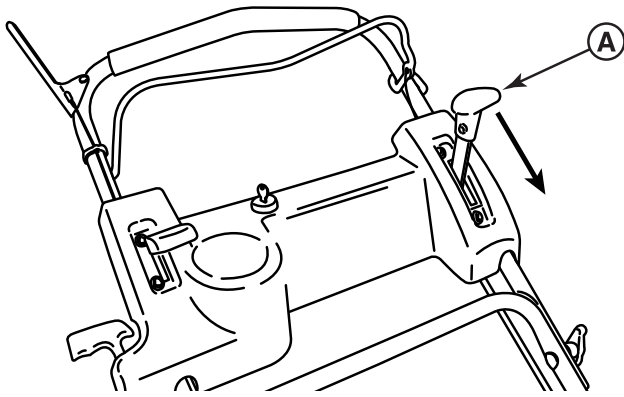


Ajuste del disco impulsado

Si el disco de transmisión y el disco impulsado están limpios y la transmisión del cortacésped sigue patinando, ajuste el disco impulsado de la siguiente manera:

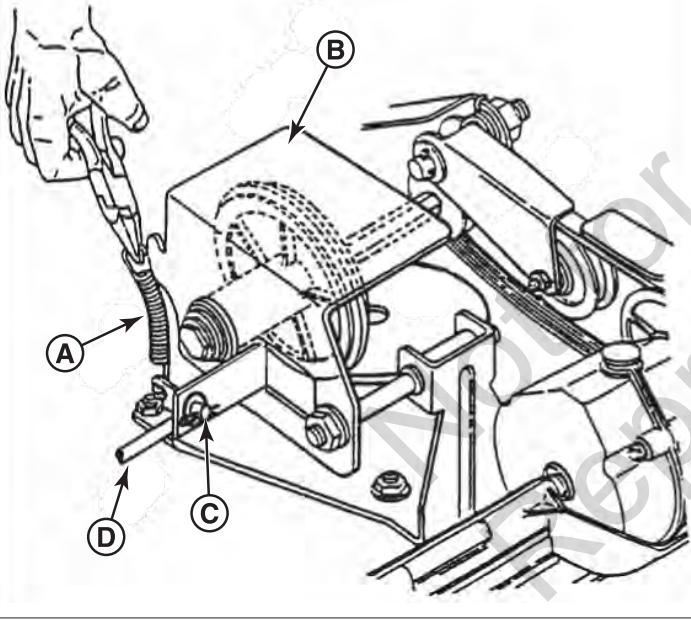
1. Mueva el control de velocidad de desplazamiento (A, Figura 30) a la posición RÁPIDO.

30



2. Retire el resorte del disco impulsado (A, Figura 31) del conjunto del disco impulsado (B). También, retire el pasador y la arandela (C) de la varilla de transferencia (D), y retire el extremo de la varilla de transferencia del orificio en el conjunto del disco impulsado.

31



3. Deslice el conjunto del disco impulsado 3.2 mm (A, Figura 32) desde el borde exterior del disco de transmisión (B).
4. Afloje la contratuerca (A, Figura 33) fijando la varilla de transmisión (B) a la junta esférica (C) en el soporte de giro (D).
5. Gire la varilla hacia dentro o hacia fuera de la junta esférica hasta que el extremo de la varilla se alinee con el orificio (E) en el conjunto del disco impulsado del que se extrajo la varilla.

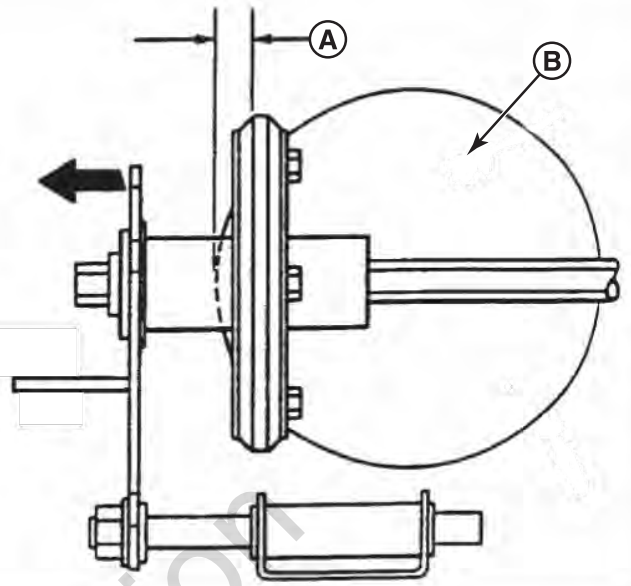
Nota: No mueva el soporte de giro.

6. Vuelva a instalar la varilla como se retiró en el Paso 2. Mueva el control de velocidad de desplazamiento a la posición de velocidad LENTA, y luego a la posición RÁPIDA. Vuelva a revisar la medición de 3,2 mm que

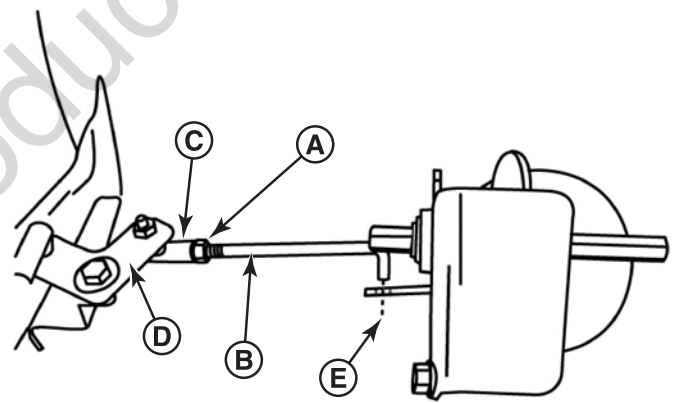
se describió anteriormente. Vuelva a ajustar según sea necesario. Cuando termine, apriete la tuerca.

7. Vuelva a instalar el resorte del disco impulsado en el conjunto de disco impulsado.

32



33



Reemplazo del disco impulsado



ADVERTENCIA

Peligro de amputación

- NO intente realizar mantenimiento, ajustes o reparaciones con el motor y la cuchilla en funcionamiento.
- DETENGA el motor y la cuchilla.
- Desconecte el cable de la bujía y fíjelo lejos de la bujía.

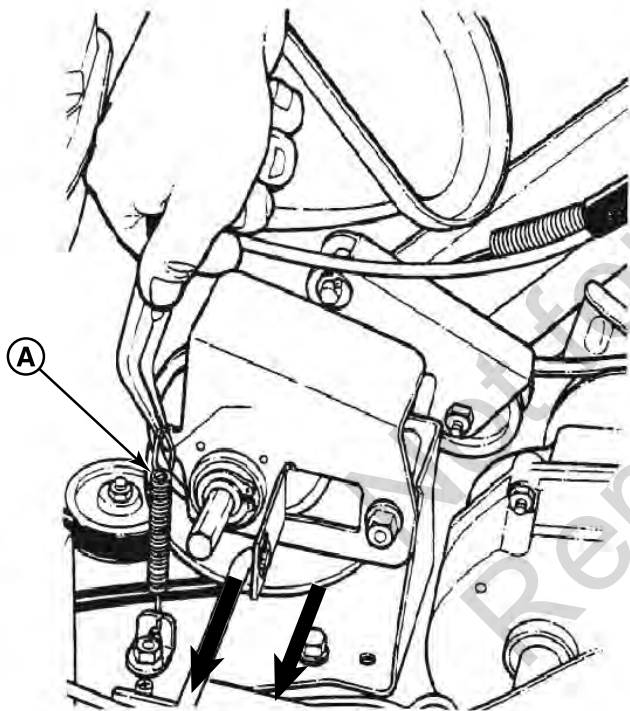
Peligro de quemaduras

- El motor y los componentes están CALIENTES.
- Para evitar quemaduras graves, espere suficiente tiempo a que todos los componentes se enfríen.

Se debe reemplazar si la goma del disco impulsado está rota o desgastada. Instale un nuevo disco impulsado de la siguiente manera:

1. Retire el pasador y la arandela (C, Figura 31) de la varilla de transferencia (D), y retire el extremo de la varilla de transferencia del orificio en el conjunto del disco impulsado.
2. Con alicates de punta, desenganche el resorte de transmisión (A, Figura 34) y deslice el conjunto de disco impulsado para sacarlo del eje hexagonal.
3. Retire los dos anillos de retención (A, Figura 35) que fijan el disco impulsado de goma (B) en el conjunto de disco impulsado.
4. Instale un nuevo disco impulsado de goma en el conjunto de disco impulsado y fíjelo con los anillos de retención.
5. Invierta los procedimientos anteriores para volver a montar e instalar el conjunto de disco impulsado.

34



Reemplazo del cojinete del disco impulsado



ADVERTENCIA
Peligro de amputación

- NO intente realizar mantenimiento, ajustes o reparaciones con el motor y la cuchilla en funcionamiento.
- DETENGA el motor y la cuchilla.
- Desconecte el cable de la bujía y fíjelo lejos de la bujía.

Peligro de quemaduras

- El motor y los componentes están CALIENTES.
- Para evitar quemaduras graves, espere suficiente tiempo a que todos los componentes se enfríen.

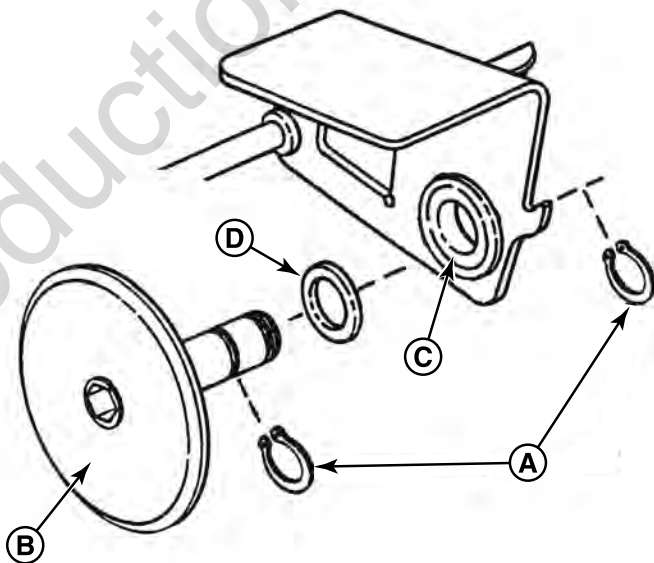
El cojinete en estas máquinas está estacado en la placa de empuje. Se deberá sacar el cojinete con un mazo y un punzón grande. Se deberá comprar un nuevo cojinete con cuatro tornillos de retención para reemplazar el cojinete existente.

Si el cojinete del disco impulsado requiere reemplazo, hágalo de la siguiente manera:

1. Retire el conjunto de disco impulsado. Ver **Reemplazo del disco impulsado**.
2. Retire ambos anillos de retención (A, Figura 35) que fijan el disco impulsado de goma (B) en la placa de empuje.
3. Deslice el cubo del disco impulsado de goma fuera del cojinete.
4. Retire el cojinete existente (C).
5. Instale un nuevo cojinete y fíjelo a la placa de empuje con los cuatro tornillos de retención. Apriete bien los tornillos.
6. Vuelva a montar los componentes en orden inverso.

Nota: Asegúrese de cambiar la arandela de cuña (D) cuando vuelva a montar el conjunto de disco impulsado.

35



Reemplazo del cojinete en el extremo de la polea del eje hexagonal



ADVERTENCIA
Peligro de amputación

- NO intente realizar mantenimiento, ajustes o reparaciones con el motor y la cuchilla en funcionamiento.
- DETENGA el motor y la cuchilla.
- Desconecte el cable de la bujía y fíjelo lejos de la bujía.

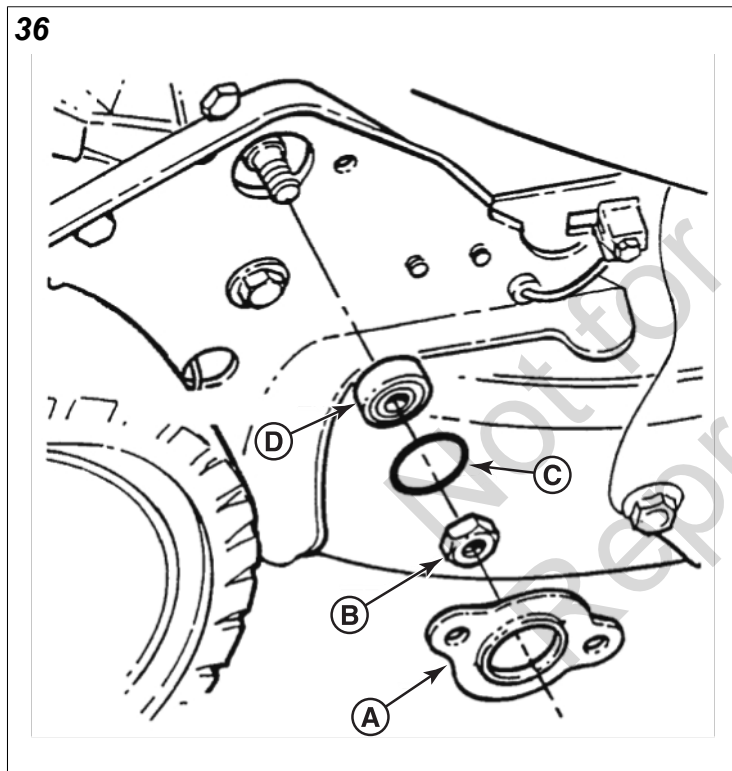
Peligro de quemaduras

- El motor y los componentes están CALIENTES.
- Para evitar quemaduras graves, espere suficiente tiempo a que todos los componentes se enfríen.

El cojinete en estas máquinas está estacado en la placa de empuje. Se deberá sacar el cojinete con un mazo y un punzón grande. Se deberá comprar un nuevo cojinete con cuatro tornillos de retención para reemplazar el cojinete existente.

Reemplazo del cojinete en el extremo de la polea del eje hexagonal:

1. Afirme el eje hexagonal con una llave ajustable afirmada cerca de la polea.
2. Retire la contratuerca hexagonal de 3/8" (B, Figura 36), ubicada en el exterior del soporte derecho de la rueda.
3. Retire el soporte (A), la junta tórica (C) y el cojinete (D).
4. Instale el nuevo cojinete.
5. Con cuidado, instale la nueva junta tórica en el exterior del nuevo cojinete.
6. Instale el soporte del cojinete y fíjelo con tornillos.
7. Instale la contratuerca hexagonal de 3/8".



Mantenimiento de la correa



Peligro de amputación

- NO intente realizar mantenimiento, ajustes o reparaciones con el motor y la cuchilla en funcionamiento.
- DETENGA el motor y la cuchilla.
- Desconecte el cable de la bujía y fíjelo lejos de la bujía.

Peligro de quemaduras

- El motor y los componentes están CALIENTES.
- Para evitar quemaduras graves, espere suficiente tiempo a que todos los componentes se enfríen.

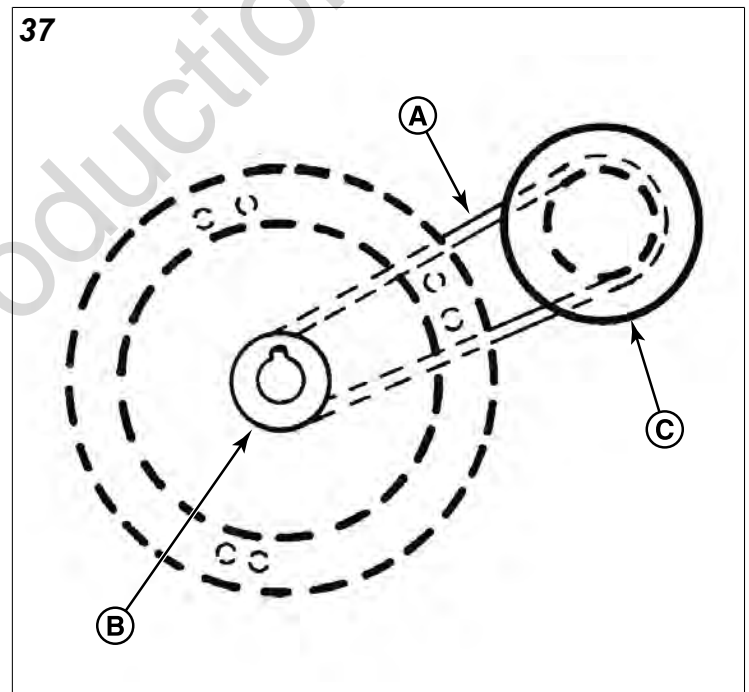
En cortacéspedes autopropulsados, la correa del motor (A, Figura 37) transmite energía desde la polea del motor (B) hacia el disco de transmisión (C). El disco de transmisión activa la correa Poly-V, la que activa la transmisión que activa las ruedas posteriores. Si estas correas se desgastan, pueden provocar deslizamiento, lo que afectaría el rendimiento del cortacésped. Se debe revisar la condición de la correa del motor y la correa Poly-V cada 25 horas de funcionamiento del cortacésped.

Reemplazo de la correa de transmisión del motor (correas de tipo estirable)

1. Vacíe el tanque de combustible.
2. Observe el encaminamiento de la correa (Figura 37). En estos modelos, no hay una polea tensora para desconectar.

AVISO

Vacíe el tanque de combustible antes de inclinar el cortacésped. NO incline la máquina con el carburador o la bujía hacia abajo. El aceite del cárter saturará el filtro del aire y dificultará o imposibilitará el arranque del motor. Si se produce algún tipo de contaminación, tendrá que reemplazar el filtro del aire.



3. Retire el disco impulsado. Ver **Reemplazo del disco impulsado** para conocer el procedimiento de retiro del disco impulsado.
4. Vacíe el tanque de combustible antes de inclinar el cortacésped. No incline el cortacésped con la bujía o el carburador hacia abajo. Incline el cortacésped hacia arriba sobre sus ruedas posteriores y retire la cuchilla y el cubo de la cuchilla. Es posible que necesite ayuda de otra persona para mantener el cortacésped en la posición inclinada.
5. Afirme el extremo ranurado del perno del disco de transmisión (B, Figura 38) con un destornillador y retire la

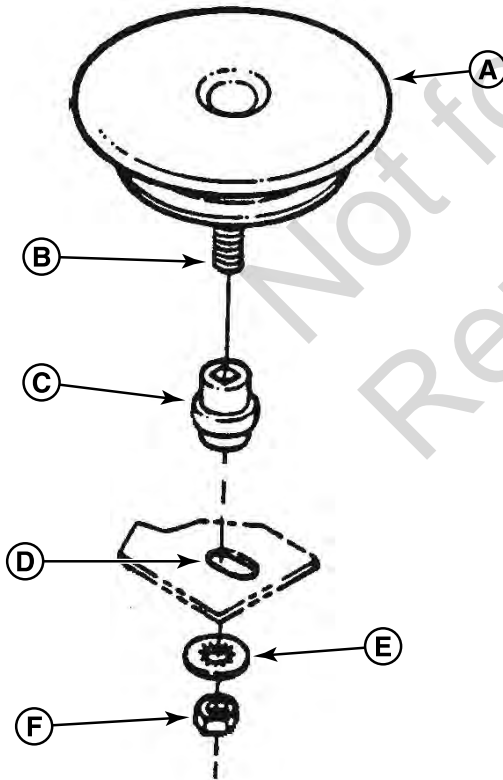
tuerca (F) y la arandela de seguridad con dientes internos (E).

6. Retire la cubierta de la correa, ubicada bajo la cubierta.
7. Levante el disco de transmisión (A) y retire la correa desgastada.
8. Haga un bucle con un extremo de la correa nueva en la polea del motor e inserte el otro extremo a través de la ranura en la cubierta.
9. Haga un bucle con la correa alrededor de la polea en la parte inferior del disco de transmisión.
10. Vuelva a instalar el disco de transmisión y las piezas de retención.

Nota: 1) El reborde cuadrado del perno del disco de transmisión debe calzar en el orificio cuadrado del casquillo (C). 2) El extremo cuadrado del casquillo debe calzar en la ranura del soporte (D).

11. Vuelva a instalar la cubierta de la correa y apriete firmemente los pernos.
12. Vuelva a instalar el cubo de la cuchilla y la cuchilla de corte. La torsión recomendada para el tornillo de cabeza de la cubierta es de 54 N.m.

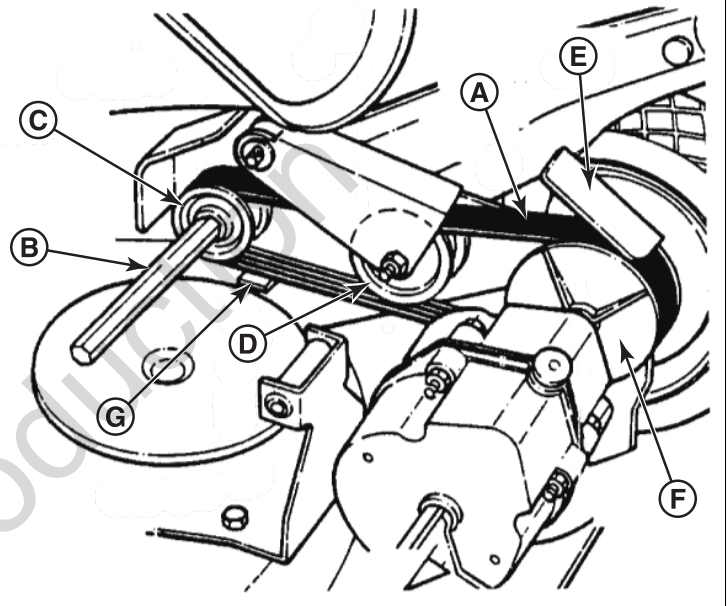
38



Reemplazo de la correa de transmisión Poly-V

1. Retire el disco impulsado. Ver **Reemplazo del disco impulsado**.
2. Observe el encaminamiento de la correa antigua alrededor de las tres poleas antes de retirarla.
3. Coloque la nueva correa Poly-V (A, Figura 39) sobre el extremo del eje hexagonal (B) y en la polea de transmisión (C).
4. Lleve la correa hasta el extremo de la polea tensora (D).
5. Gire la correa de lado y tire de ella hacia arriba, entre el soporte del diferencial (E) y la polea impulsada (F) y luego hacia abajo, en la ranura de la polea. Asegúrese de que la correa Poly-V esté sobre la guía de la correa (G).

39



Solución de problemas

Problema	Causa probable	Medida correctiva
El motor no arranca cuando se utiliza el motor de arranque de retroceso	1. El tanque de combustible está vacío.	1. Llene el tanque de combustible con combustible fresco.
	2. El cable de la bujía está desconectado.	2. Coloque el cable de la bujía en la bujía.
El motor no arranca (modelos de arranque eléctrico)	1. El tanque de combustible está vacío.	1. Llene el tanque de combustible con combustible fresco.
	2. El cable de la bujía está desconectado.	2. Coloque el cable de la bujía en la bujía.
	3. El haz de cables está desconectado.	3. Conecte el haz de cables.
	4. La batería está descargada.	4. Cargue o cambie la batería.
El motor se ahoga o se detiene después de empezar a funcionar	1. Se soltó el control de la cuchilla o no está bien sujeto contra el manillar.	1. El control de la cuchilla debe sujetarse firmemente contra el manillar en todo momento durante el funcionamiento del cortacésped.
	2. El tanque de combustible está vacío.	2. Llene con combustible hasta el nivel correcto.
	3. El prefiltrador de aire o el filtro de aire del motor están sucios.	3. Limpie todos los desechos.
	4. La bujía está defectuosa o la brecha se ajustó inadecuadamente.	4. Realice mantenimiento a la bujía.
	5. Hay agua, desechos o combustible en mal estado en el sistema de combustible.	5. Vacíe y limpie el sistema de combustible.
El motor pierde potencia	1. El prefiltrador de aire o el filtro de aire del motor están sucios.	1. Limpie o cambie los filtros.
	2. La bujía está defectuosa.	2. Realice mantenimiento a la bujía.
	3. Hay agua, desechos o combustible en mal estado en el sistema de combustible.	3. Vacíe y limpie el sistema de combustible.
Vibración excesiva	1. Cuchilla del cortacésped dañada, desequilibrada o doblada.	1. Realice mantenimiento a la cuchilla del cortacésped.
	2. Los componentes de la cuchilla están sueltos.	2. Repare y apriete las piezas sueltas.
	3. El elevador por aire (si está equipado) está suelto o falta.	3. Cambie los elevadores por aire. Apriete según la torsión correcta.
	4. La correa tiene protuberancias o está deshilachada.	4. Cambie la correa.
El cortacésped no se moverá Pérdida de tracción	1. Acumulación de residuos en o alrededor de los componentes de transmisión de las ruedas.	1. Limpie los desechos.
	2. Deslizamiento del disco impulsado.	2. Limpie o reemplace el disco impulsado.
	3. Se debe reemplazar la correa de transmisión.	3. Reemplace la correa de transmisión.
	4. La transmisión está dañada.	4. Comuníquese con un distribuidor autorizado.
El corte de césped no es adecuado	1. La altura de corte es demasiado alta o demasiado baja.	1. Ajuste la altura de corte.
	2. La velocidad del motor es demasiado lenta.	2. Mueva el control de velocidad del motor a la posición "Rápido".
	3. La velocidad de desplazamiento hacia adelante es demasiado rápida.	3. Mueva el control de velocidad de desplazamiento a una velocidad más lenta.
	4. Cortes escalonados, de lado a lado.	4. Ajuste la altura de corte con las palancas de ajuste de la altura.
	5. Inclínación excesiva de la cubierta, de adelante hacia atrás.	5. Ajuste la altura de corte con las palancas de ajuste de la altura.
	6. La cuchilla de corte está desafilada o dañada.	6. Afile los bordes de corte o reemplace la cuchilla.
La descarga de césped es deficiente	1. La velocidad del motor es demasiado rápida.	1. Mueva el control de velocidad del motor a la posición "Rápido".
	2. La velocidad de desplazamiento hacia adelante es demasiado rápida.	2. Mueva el control de velocidad de desplazamiento a una velocidad más lenta.
	3. El césped está húmedo.	3. Corte el césped cuando esté seco.
	4. La cuchilla de corte está demasiado desgastada o dañada.	4. Realice mantenimiento a la cuchilla del cortacésped.
	5. Hay acumulación de recortes de césped y desechos bajo la cubierta.	5. Limpie la cubierta.
	6. Se instaló una cuchilla incorrecta en la cubierta.	6. Instale la cuchilla correcta.
	7. La cuchilla se instaló de manera incorrecta en la cubierta.	7. Instale la cuchilla correctamente.
Fuga de aceite	1. La carcasa del motor tiene fugas.	1. Comuníquese con un distribuidor autorizado.

Problema	Causa probable	Medida correctiva
	2. Afloje el tapón de drenaje.	2. Revise y apriete el tapón de drenaje.
	3. Varilla de aceite o la tapa de llenado de aceite suelta.	3. Asegúrese de que la varilla de aceite o la tapa de llenado aceite esté firmemente en su lugar.

Not for
Reproduction

Garantías

Garantía del producto

Declaración de garantía

GARANTÍA LIMITADA

Briggs & Stratton garantiza que, durante el período de garantía especificado a continuación, reparará o reemplazará, sin cargo, cualquier pieza defectuosa en cuanto a material, mano de obra o ambos. Los gastos de transporte del producto sometido a reparación o repuesto conforme a garantía deben ser abonados por el comprador. Esta garantía se mantiene vigente durante los períodos de tiempo indicados a continuación y está sujeta a dichos períodos y a las condiciones presentadas a continuación. Para obtener servicio de garantía, encuentre el distribuidor de servicio autorizado más cercano en nuestro mapa localizador de distribuidores en www.snapper.com.

El comprador debe ponerse en contacto con el distribuidor de servicio autorizado y entregarle el producto para la inspección y prueba.

No existe ninguna otra garantía explícita. Las garantías implícitas, incluidas las de comerciabilidad y aptitud para una finalidad específica, están limitadas al período de garantía mencionado a continuación, o en la medida en que lo permita la ley. La responsabilidad por daños fortuitos o consecuentes queda excluida en la medida en que dicha exclusión sea permitida por la ley. Algunos estados o países no contemplan limitaciones en cuanto a la duración de una garantía implícita, y otros estados o países no permiten la exclusión o limitación de daños consecuentes o incidentales, en cuyo caso es posible que la limitación y la exclusión anteriores no sean aplicables para usted. Esta garantía le otorga derechos legales específicos y también podría tener otros derechos que varían según el estado o según el país.**

Período de garantía

Artículo	Uso privado	Uso comercial
Equipo	36 meses	3 meses
Motor*	36 meses	3 meses
Batería (si tuviera)	12 meses	12 meses

*Solo aplicable a los motores Briggs & Stratton®. La cobertura de garantía de motores diferentes a los Briggs & Stratton la suministra el fabricante de dicho motor. Los componentes relacionados con las emisiones están cubiertos en la Declaración de Garantía sobre las Emisiones.

**En Australia, nuestros productos vienen con garantías que no pueden excluirse en virtud de la Ley Australiana del Consumidor. Usted tiene derecho a reemplazo o reembolso por una avería importante y a compensación por cualquier otra pérdida o daño razonablemente previsible. También tiene derecho a reparación o reemplazo de productos si estos no son de una calidad aceptable y la avería no es muy grave. Para recibir servicio de garantía, contacte al distribuidor de servicio autorizado más cercano en nuestro mapa de localización de distribuidores en BRIGGSandSTRATTON.COM, marque el 1300 274 447, envíe un correo electrónico a

salesenquires@briggsandstratton.com.au, o una carta a Briggs & Stratton Australia Pty Ltd, 1 Moorebank Avenue, NSW, Australia, 2170.

El período de garantía inicia en la fecha de compra por parte del primer consumidor final o comercial. "Uso privado" significa el uso doméstico personal por parte del primer minorista. "Uso comercial" significa todos los otros usos, que incluyen aquellos con fines comerciales, de generación de ingresos o renta. Una vez que el producto haya sido usado de forma comercial, será considerado a partir de ese momento como un producto de uso comercial a los efectos de esta garantía.

Con el fin de garantizar la cobertura de la garantía en forma inmediata y completa, registre su producto en www.onlineproductregistration.com.

Guarde su recibo de compra como constancia. Si no aporta prueba de la fecha de compra inicial cuando solicita el servicio de garantía, se tomará la fecha de fabricación del producto para determinar el período de garantía. No se requiere el registro del producto para obtener servicio de garantía en los productos de Briggs & Stratton.

Acerca de su garantía

El servicio de garantía solo está disponible a través de Snapper autorizados de marcas. Esta garantía solo cubre defectos de materiales o mano de obra. No cubre daños causados por uso indebido o maltrato, mantenimiento o reparación inadecuados, desgaste natural por uso, o el uso de un combustible viciado o inadecuado.

Uso indebido o maltrato: El uso adecuado, para el cual está diseñado este producto, se describe en el Manual del operador. El uso del producto de una manera no descrita en el Manual del operador o el uso del producto después de que ha sido dañado no estarán cubiertos por esta garantía. La garantía tampoco se aplicará si el número de serie del producto ha sido quitado o si el producto ha sido alterado o modificado en cualquier forma, o si el producto presenta pruebas de maltrato como daño por impacto o daño por corrosión por agua/químicos.

Reparación o mantenimiento inadecuados: Este producto debe recibir mantenimiento según los procedimientos y cronogramas provistos en el Manual del operador, y se le debe dar servicio o reparación con partes Briggs & Stratton auténticas o equivalentes. El daño causado por la falta de mantenimiento o el uso de piezas no originales no está cubierto por la garantía.

Desgaste normal por el uso: Como muchos de los dispositivos mecánicos, su unidad está sujeta a desgaste incluso cuando recibe un servicio de mantenimiento adecuado. Esta garantía no cubre las reparaciones cuando el uso normal ha agotado la vida útil del equipo o de alguna de sus piezas. La garantía no cubre los artículos utilizados para el mantenimiento o por el desgaste como filtros, correas, cuchillas y pastillas de freno (a excepción de las pastillas del motor) solamente por razones de desgaste, a menos que la causa sea debida a defectos en el material o en la mano de obra.

Combustible viciado o no aprobado: Para funcionar correctamente, este producto requiere el uso de combustible fresco que cumpla con los criterios especificados en el Manual del operador. Esta garantía no cubre el daño al motor o al equipo generado por el uso de combustibles viciados o no aprobados (como las mezclas de etanol E15 o E85).

Otras exclusiones: Esta garantía no cubre el daño debido a accidentes, usos inadecuados, modificaciones, alteraciones, mantenimiento inadecuado, congelación o deterioro químico. Se excluyen también los aditamentos o accesorios que no fueron en un principio embalados con el producto. No se provee cobertura de garantía cuando el equipo es utilizado para una fuente primaria eléctrica en lugar de la red de servicios públicos, o un equipo empleado para el mantenimiento de las funciones vitales. Esta garantía no incluye equipos o motores usados, reacondicionados, de segunda mano o para demostración. Esta garantía también excluye fallas atribuibles a actos de la naturaleza o a cualquier otro evento de fuerza mayor que estén más allá del alcance del control del fabricante.

80004552 (Rev. B)

Garantía de emisiones de Briggs & Stratton

Garantía sobre control de emisiones de California, EPA de EE. UU. y Briggs & Stratton, LLC - Sus derechos y obligaciones bajo la garantía

Para modelos de Motor Briggs & Stratton con designación de versión "F" (Modelo-Tipo-Representación de versión xxxxxx xxxx Fx)

La Junta de Recursos del Aire de California, la EPA de EE. UU. y Briggs & Stratton (B&S) se complacen en explicar la garantía del sistema de control de emisiones de escapes y evaporaciones ("emisiones") de su motor/equipo modelo 2020-2022. En California, los nuevos equipos que usan motores pequeños todo terreno deben estar diseñados, fabricados y equipados conforme a los exigentes estándares estatales de lucha contra la contaminación. B&S debe garantizar el sistema de control de emisiones de su motor/equipo durante los períodos que se indican a continuación, siempre que no haya habido maltrato, negligencia o mantenimiento indebido de su motor pequeño todo terreno o equipo que da como resultado la falla del sistema de control de emisiones.

Su sistema de control de emisiones puede incluir piezas como el carburador o el sistema de inyección de combustible, el sistema de ignición, el conversor catalítico, los tanques de combustible, las líneas de combustible (para combustible líquido y vapores de combustible), tapas de combustible, válvulas, cámaras, filtros, abrazaderas y otros componentes asociados. También puede incluir mangueras, correas, conectores y otros conjuntos relacionados con el sistema de control de emisiones.

Donde exista una condición cubierta por la garantía, B&S reparará su motor/equipo sin costo alguno, incluido el diagnóstico, las piezas y la mano de obra.

Cobertura de la garantía del fabricante:

El sistema de control de emisiones de escape y evaporaciones en su motor/equipo tiene una garantía de dos años. Si cualquier pieza relacionada con las emisiones en su motor/equipo resulta defectuosa, la pieza será reparada o sustituida por B&S.

Responsabilidades del propietario bajo la garantía:

- Como propietario del motor/equipo, usted es responsable de llevar a cabo todas las tareas de mantenimiento que se enumeran en el manual del propietario. B&S recomienda conservar todas las facturas relativas al mantenimiento del motor/equipo, pero B&S no puede denegar la cobertura de la garantía basándose únicamente en la falta de facturas o en la imposibilidad por parte del propietario de asegurar la correcta realización de todas las tareas de mantenimiento.
- Como propietario del motor/equipo, debe ser consciente de que B&S puede denegar la cobertura de la garantía si el motor/equipo o uno de sus componentes falla debido a maltrato, negligencia o mantenimiento indebido o modificaciones no autorizadas.
- Usted es responsable de presentar su motor/equipo a un centro de distribución de B&S o centro de servicio en el momento en que surja un problema. Las reparaciones cubiertas por la garantía se llevarán a cabo en un plazo razonable no superior a 30 días. Si tiene preguntas sobre los derechos y responsabilidades relativos a la garantía, debe ponerse en contacto con B&S llamando al 1-800-444-7774 (en EE. UU.) o visitando el sitio BRIGGSandSTRATTON.COM.

Disposiciones para la garantía sobre control de emisiones de Briggs & Stratton

A continuación se detallan las disposiciones concretas relativas a la cobertura de la garantía del sistema de control de emisiones. Es una adición a la garantía del motor de B&S para los motores no regulados, que se encuentra en el Manual del operador.

1. Piezas de emisiones garantizadas
La cobertura de esta garantía se hace extensiva solo a las partes que figuran a continuación (piezas del sistema de control de emisiones), siempre y cuando tales piezas estén presentes en el motor de B&S o en el sistema de combustible suministrado por B&S.
 - a. Sistema de medición de combustible
 - Sistema de enriquecimiento para arranque en frío (estrangulador electrónico)
 - Carburador o sistema de inyección de combustible
 - Sensor de oxígeno
 - Unidad electrónica de control
 - Módulo de la bomba de combustible
 - Línea de combustible (para combustible líquido y vapores de combustible), accesorios de línea de combustible y abrazaderas
 - Tanque de combustible, tapa y traba
 - Envase de carbono y soporte de montaje

- Válvulas de alivio de presión
 - Separador de líquido/vapor
- b. Sistema de inducción de aire
- Limpiador de aire
 - Colector de admisión
 - Conducto de purga y ventilación
- c. Sistema de encendido
- Bujía(s)
 - Sistema de ignición magnética
- d. Sistema catalizador
- Convertidor catalítico
 - Colector de escape
 - Sistema de inyección de aire o válvula de pulso
- e. Artículos misceláneos usados en los sistemas anteriores
- Válvulas e interruptores de vacío, temperatura, posición y sensibles al tiempo
 - Conectores y conjuntos
 - Controles electrónicos

2. Duración de la cobertura

La cobertura es por un período de dos años a partir de la fecha de entrega a un comprador final o por el período de tiempo que se indica en la declaración de garantía del motor o producto correspondiente, lo que sea más prolongado. B&S garantiza al comprador original y a cada comprador subsiguiente que el motor está diseñado, construido y equipado de acuerdo con todas las normas aplicables adoptadas por la Junta de Recursos del Aire de California; que no tiene defectos en materiales y en mano de obra que puedan causar la falla de una pieza garantizada; y que es idéntico en todos los aspectos materiales al motor descrito en las solicitudes de certificación del fabricante. El período de garantía comienza en la fecha en que el motor o el equipo se envían a un comprador final.

La garantía sobre las piezas relacionadas con las emisiones es la siguiente:

- Todas las piezas cubiertas por la garantía que no se deban repuesto como parte del programa de mantenimiento obligatorio detallado en el Manual del operador entregado quedarán cubiertas por la garantía durante el período especificado anteriormente. Si tal pieza falla durante el período de cobertura de la garantía, la pieza será reparada o reemplazada por B&S, sin costo alguno para el propietario. Las piezas que se reparen o sustituyan en virtud de la garantía estarán cubiertas por la garantía durante el período de garantía restante.
- Todas las piezas cubiertas por la garantía que solo se deban inspeccionar periódicamente según el Manual del operador entregado quedarán cubiertas por la garantía durante el período de la garantía especificado anteriormente. Cualquier pieza

reparada o reemplazada bajo la garantía estará garantizada por lo que reste del período de garantía.

- Toda pieza cubierta por la garantía que esté programada para reemplazarse como mantenimiento obligatorio en el Manual del operador entregado, está cubierta por la garantía durante el periodo de tiempo previo al primer punto de reemplazo programado para la pieza. Si la pieza falla antes del primer repuesto programado, la pieza será reparada o sustituida por B&S, sin costo alguno para el propietario. Las piezas que se reparen o sustituyan en virtud de la garantía estarán cubiertas por la garantía durante el período de garantía restante hasta llegar a la fecha de la primera sustitución.
- No se podrán utilizar piezas complementarias o modificadas no exentas por la Junta de Recursos del Aire. El uso por parte del propietario de cualquier pieza adicional o modificada que no esté exenta será causa suficiente para rechazar un reclamo en garantía. El fabricante no será responsable de extender la garantía por fallas de piezas cubiertas por la garantía que se deban al uso de piezas adicionales o modificadas que no estén exentas.

3. Cobertura consecucional

La cobertura se ampliará a los fallos de cualesquiera componentes del motor causados por la falla de cualquier pieza garantizada en materia de emisiones.

4. Reclamaciones y exclusiones de la cobertura

Las solicitudes de reclamación de garantía se cumplimentarán según las disposiciones de la política de garantía del motor B&S. La cobertura de garantía no se aplica a fallas de piezas de emisiones que no sean piezas originales de los equipos de B&S o a piezas que fallen debido a abuso, negligencia o mantenimiento incorrecto, según lo establecido en la política de garantía del motor de B&S. B&S no es responsable de la cobertura en garantía de fallas de piezas de emisiones causadas por el uso de piezas adicionadas o modificadas.

Consulte la información relevante sobre el período de durabilidad de emisiones y el índice de aire en la etiqueta de emisiones de su pequeño motor todo terreno

Los motores con certificación de cumplimiento de la normativa sobre emisiones de la Junta de Recursos del Aire de California (CARB) deben mostrar información sobre el período de durabilidad de las emisiones y el índice de calidad del aire. Briggs & Stratton ofrece esta información al consumidor en las etiquetas de emisiones. La etiqueta de emisiones del motor contiene la información de certificación.

El **período de durabilidad de las emisiones** indica la cantidad de horas durante las cuales el motor puede funcionar cumpliendo las normas sobre emisiones, siempre que se realicen las operaciones de mantenimiento adecuadas de acuerdo con el manual del operador. Se utilizan las siguientes categorías:

Moderada:

Los motores con desplazamiento inferior a 80 cc tienen certificación de conformidad de emisiones por 50 horas del tiempo real de operación. Los motores con desplazamiento superior a 80 cc tienen certificación de conformidad de emisiones por 125 horas del tiempo real de operación.

Intermedia:

Los motores con un desplazamiento de 80 cc o inferior cuentan con certificación de conformidad de emisiones para 125 horas de tiempo de operación efectiva del motor. Los motores con un desplazamiento superior a 80 cc cuentan con certificación de conformidad de emisiones para 250 horas de tiempo de operación efectiva del motor.

Extendida:

Los motores con un desplazamiento de 80 cc o inferior cuentan con certificación de conformidad de emisiones para 300 horas de tiempo de operación efectiva del motor. Los motores con un desplazamiento superior a 80 cc cuentan con certificación de conformidad de emisiones para 500 horas de tiempo de operación efectiva del motor.

Por ejemplo, un cortacésped de empuje típico se suele utilizar entre 20 y 25 horas al año. Por lo tanto, el **período de durabilidad de las emisiones** de un motor con clasificación **intermedia** equivaldría entre 10 y 12 años.

Los motores Briggs & Stratton cuentan con la certificación de cumplimiento de la fase 2 o 3 de las normativas sobre emisiones de la Agencia de Protección del Medioambiente de los Estados Unidos (USEPA). El período de cumplimiento de la normativa sobre emisiones que figura en la etiqueta de cumplimiento de emisiones indica el número de horas de funcionamiento durante las cuales el motor ha demostrado cumplir los requisitos federales sobre emisiones.

Para motores con desplazamiento de 80 cc o menos:

Categoría C = 50 horas, categoría B = 125 horas,
categoría A = 300 horas

Para motores con desplazamiento mayor a 80 cc o menor a 225 cc:

Categoría C = 125 horas, categoría B = 250 horas,
categoría A = 500 horas

Para motores con desplazamiento de 225 cc o superior:

Categoría C = 250 horas, categoría B = 500 horas,
categoría A = 1000 horas

80099151 (Revisión A)

Guía de pendientes



ADVERTENCIA



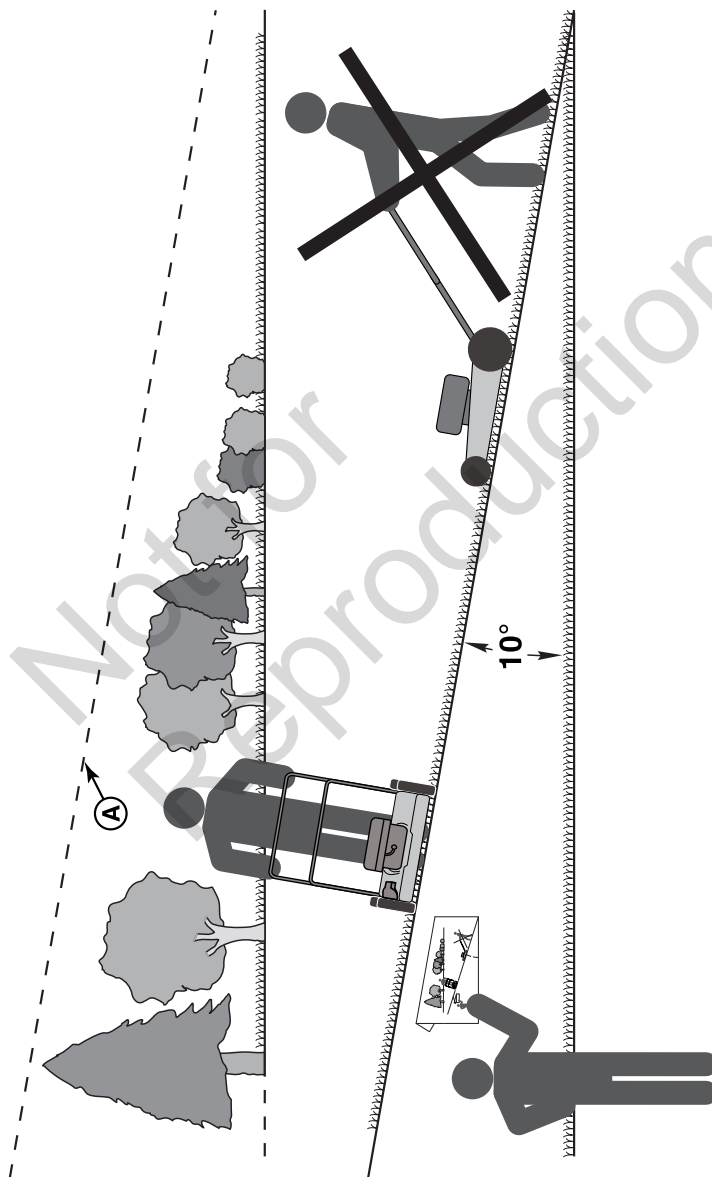
Peligro de amputación y peligro de vuelco

Para evitar la muerte o lesiones graves:

- Corte el césped hacia los costados, no en pendientes hacia arriba y hacia abajo.
- No corte en pendientes de más de 10 grados.
- Tenga cuidado al girar en las pendientes. Gire la unidad gradualmente para mantener el control.

1. Doble esta página a lo largo de la línea de puntos (A). El ángulo del doblado muestra una pendiente de 10 grados.
2. Sostenga la hoja frente a usted, de modo que el borde izquierdo esté paralelo verticalmente al tronco de un árbol u otra estructura vertical.
3. Compare el ángulo del doblado con la pendiente que desea cortar. Si la pendiente es mayor que el ángulo del doblado, no corte.

Guía de pendientes



Especificaciones

Especificaciones	7800946-02	7800947-02	7800979-00 7800979A-00 7800979B-00	7800980-00 7800980A-00 7800980B-00 7800981-00 7800981A-00 7800981B-00 7800982-00 7800982A-00 7800982B-00
Cortacésped				
Tamaño de la cubierta (cm)	21 / 53	21 / 53	21 / 53	21 / 53
Altura de corte (cm)	1.25 - 4 / 3,18 - 10,16	1.25 - 4 / 3,18 - 10,16	1.25 - 4 / 3,18 - 10,16	1.25 - 4 / 3,18 - 10,16
Tipo de Transmisión	---	Engranaje	---	Engranaje
Velocidad de desplazamiento (km/h)	---	1.2 - 4 / 1,9 - 6,4	---	1.2 - 4 / 1,9 - 6,4
Torsión de la cuchilla (N.m)	40 / 54	40 / 54	40 / 54	40 / 54
Motor				
El motor pierde potencia *	8.75	8.75	8.5	8.5
Cilindrada del Motor (cc)	190	190	190	190
Capacidad del tanque de combustible (L)	1.2 / 1,1	1.2 / 1,1	1.2 / 1,1	1.2 / 1,1
Capacidad de aceite (L)	18 - 20 / 0,54 - 0,59	18 - 20 / 0,54 - 0,59	18 - 20 / 0,54 - 0,59	18 - 20 / 0,54 - 0,59
Brecha de la bujía (mm)	0.020 / 0,51	0.020 / 0,51	0.020 / 0,51	0.020 / 0,51
Torsión de la bujía (N.m)	180 / 20	180 / 20	180 / 20	180 / 20

* Ver **Clasificación de potencia** .

Potencia nominal: La clasificación de potencia bruta para los modelos con motor de gasolina individual se designa de acuerdo con el código J1940 de la SAE (Sociedad de Ingenieros Automotrices) "Procedimiento de Clasificación de Potencia y Torque del Motor Pequeño", y la clasificación se obtiene de acuerdo con el código J1995 de la SAE. Los valores de torque se obtienen a 2600 RPM para los motores con "rpm" indicado en la etiqueta y 3060 RPM para todos los demás; los valores de potencia se obtienen a 3600 RPM. Las curvas de potencia bruta se pueden ver en www.BRIGGSandSTRATTON.COM. Los valores de potencia neta se obtienen con un purificador de aire y un escape instalados, mientras que los valores de potencia bruta se recopilan sin estos accesorios. La potencia bruta real del motor es mayor que la potencia neta del motor y depende, entre otros factores, de las condiciones ambientales de uso y de las variaciones entre los motores. Dada la amplia gama de productos donde se colocan los motores, el motor de gasolina puede no desarrollar la potencia bruta nominal cuando se usa en un equipo de potencia determinado. Esta diferencia se debe, entre otros factores, a: la variedad de los componentes de motor (filtro de aire, escape, carga, refrigeración, carburador, bomba de combustible, etc.), limitaciones de la aplicación, condiciones ambientales de uso (temperatura, humedad, altitud) y variaciones entre distintos motores de un mismo modelo. A causa de las limitación de fabricación y de capacidad, Briggs & Stratton podrá sustituir este motor por un motor con mayor clasificación de potencia.

Table des matières:

Sécurité de l'utilisateur.....	67
Caractéristiques et commandes.....	73
Utilisation.....	74
Entretien.....	80
Dépannage.....	94
Garanties.....	95
Guide de pente.....	99
Fiche technique	100

Les images dans ce document sont représentatives, et sont prévues pour compléter les instructions qu'elles accompagnent. Votre appareil peut varier des images affichées. *GAUCHE* et *DROIT* sont vues de la position de l'opérateur.

Nous vous remercions d'avoir acheté ce produit de marque Snapper Walkbehind Mower. Nous sommes heureux que vous ayez placé votre confiance dans la Snapper. S'il est utilisé et entretenu selon les instructions des manuels, votre produit de la Snapper vous procurera de nombreuses années de service fiable.

Les manuels contiennent des informations de sécurité pour vous faire connaître les dangers et les risques associés à cette unité et la façon de les éviter. Cette Walkbehind Mower a été conçue pour être utilisée comme décrite dans le manuel d'utilisation et n'est pas destinée à d'autres fins. Il est important que vous lisiez et compreniez parfaitement les instructions avant d'essayer de mettre en marche ou de faire fonctionner cet équipement. Conserver ces instructions d'origine pour vous y reporter dans le futur.

Ce produit demande un assemblage final avant d'être utilisé. Reportez-vous au guide de montage pour les instructions sur les procédures d'assemblage final. Suivre complètement les directives.

Sécurité de l'utilisateur

Définitions sur la sécurité

Pour votre sécurité et celle des autres ainsi que pour protéger la performance de l'équipement, suivre les précautions énumérées dans le manuel avant de l'opérer, pendant l'opération et les procédures d'entretien périodiques.



Le symbole d'alerte de sécurité indique un risque de blessure corporelle possible.



DANGER

Indique une situation dangereuse qui, si non évitée, causera la mort ou des blessures graves.



AVERTISSEMENT

Indique une situation dangereuse qui, si non évitée, pourrait causer la mort ou des blessures graves.



ATTENTION :

Indique une situation dangereuse qui, si non évitée, pourrait causer la mort ou des blessures mineures ou modérées.

AVIS :

Indique une situation qui peut causer des dommages à l'équipement, à la propriété et/ou à l'environnement, ou causer un mauvais fonctionnement de l'équipement.

Définition des symboles de sécurité

Les symboles de sécurité suivants peuvent se retrouver sur la tondeuse.

	Lire le manuel d'utilisation avant de tenter de faire fonctionner la tondeuse.
	Tondre les pentes en travers, pas de haut en bas.
	Pour éviter des blessures aux autres, en particulier les enfants, ne pas tondre lorsque ces personnes sont alentour.
	Pour réduire le risque d'incendie, attendre au moins 2 minutes avant de remplir le réservoir.
	Pour éviter des blessures sérieuses ou la mort, tenir les mains et les pieds loin du châssis de la tondeuse en tout temps durant le fonctionnement.
	Pour éviter des blessures dues à des objets projetés, ne pas faire fonctionner la tondeuse à moins que tous les composants de paillage, d'éjection ou de sac soient à leur emplacement approprié.

Avertissement de la Californie concernant le pare-étincelles



AVERTISSEMENT

L'utilisation ou le fonctionnement du moteur sur des terrains forestiers, broussailleux ou herbeux constituent une violation de la Section 4442 du Code des ressources publiques de Californie, à moins que le système d'échappement ne soit équipé d'un pare-étincelles, comme le définit la Section 4442, maintenu en bon état de marche. D'autres provinces ou juridictions fédérales peuvent avoir des lois similaires. Communiquez avec le fabricant, le détaillant ou le revendeur d'origine de l'équipement pour obtenir un pare-étincelles conçu pour le système d'échappement installé sur ce moteur.



AVERTISSEMENT

Les bornes de batterie, les cosses et autres accessoires associés contiennent du plomb et des composés de plomb, des substances chimiques reconnues par l'État de la Californie comme pouvant causer le cancer, des anomalies congénitales ou autres problèmes de reproduction. Se laver les mains après la manipulation.

Proposition 65 Californie



AVERTISSEMENT

Ce produit peut vous exposer à des agents chimiques, y compris les échappements des moteurs à essence, connus dans l'État de la Californie pour causer le cancer ainsi que le monoxyde de carbone, connu dans l'État de la Californie pour causer des malformations congénitales ou les dommages à l'appareil reproducteur. Pour obtenir de plus amples renseignements, visitez le www.P65Warnings.ca.gov.

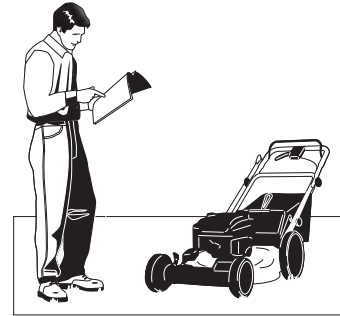
Sécurité de fonctionnement



Un équipement électrique est aussi sécuritaire que l'est son utilisateur. Il peut être dangereux s'il n'est pas utilisé à bon escient ou s'il n'est pas correctement entretenu! Garder en mémoire que l'utilisateur est responsable de sa propre sécurité et de celle de ceux qui sont à ses côtés.

Faire preuve de bon sens et bien penser à ce que l'on fait. En cas de doute sur une opération à effectuer sans danger avec l'équipement choisi, s'adresser à un professionnel : contacter votre concessionnaire local agréé.

Lecture du manuel



Le manuel d'utilisation contient des renseignements importants sur la sécurité qu'il vous faut connaître AVANT d'utiliser la machine ainsi que PENDANT son utilisation.

Ce manuel comporte des techniques de fonctionnement sécuritaires, une explication des caractéristiques et des commandes du produit et des informations relatives à l'entretien pour profiter au maximum de votre investissement dans cet équipement.

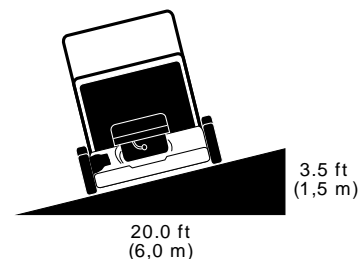
S'assurer de lire, dans son intégralité, la section sur les règles et informations relatives à la sécurité figurant dans les pages suivantes. Lire également la section Fonctionnement dans son intégralité.

Enfants



Des accidents tragiques peuvent se produire avec des enfants. Ne jamais leur permettre de se tenir à proximité de la zone d'opération. Les enfants sont souvent attirés par la machine et l'activité de tonte. Ne jamais supposer que les enfants resteront à l'endroit où ils ont été vus pour la dernière fois. S'il existe un risque que des enfants puissent venir à proximité de l'endroit où l'on tond, demander à un autre adulte responsable de les surveiller.

Fonctionnement en pente



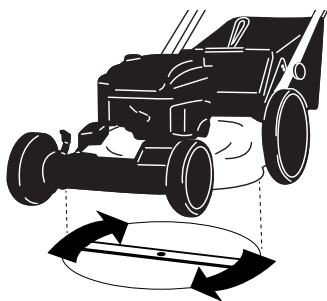
Il existe un danger grave de blessure, voire de mort, en cas d'utilisation de cette machine sur une pente trop raide. L'utilisation de la machine sur une pente trop abrupte ou sur laquelle la traction ou l'équilibre est inadéquat peut entraîner la perte de contrôle ou le renversement de la machine.

Vous ne devriez pas utiliser la machine sur des pentes de plus de 10 degrés, ce qui signifie une élévation de 3,5 pi (1,5 m) sur 20,0 pi (6,0 m). Tondre les pentes en travers et jamais de haut en bas.

Noter aussi que la surface de tonte peut impacter grandement le contrôle. De l'herbe ou des feuilles mouillées peuvent affecter sérieusement votre équilibre ou traction sur une pente.

En cas de doute sur l'utilisation de la machine sur un plan incliné, ne pas l'utiliser. Ça ne vaut pas le coup.

Pièces mobiles

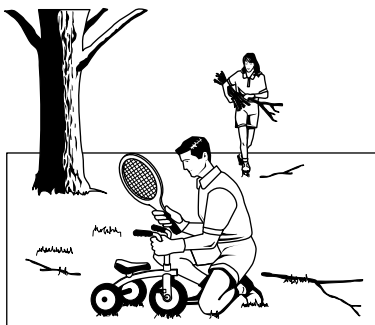


Cette machine comporte des pièces mobiles qui peuvent blesser l'utilisateur ou quelqu'un d'autre. Toutefois, si l'utilisateur se tient debout correctement derrière le guidon et suit toutes les règles figurant dans ce manuel, il n'y a aucun danger à se servir de cette machine.

La tondeuse comporte des lames rotatives susceptibles d'amputer les mains et les pieds. Ne jamais laisser qui que ce soit près de la machine quand elle est en marche!

Pour permettre à l'utilisateur de se servir de cette machine en toute sécurité, elle est équipée d'un dispositif de sécurité avec utilisateur présent. NE PAS tenter d'altérer ni de contourner le dispositif. Consulter le concessionnaire immédiatement si le dispositif ne réussit pas tous les tests du système d'interverrouillage de sécurité figurant dans ce manuel.

Objets projetés



Cette tondeuse comporte des lames rotatives. Ces lames peuvent ramasser et projeter des débris susceptibles de

blesser gravement un spectateur. S'assurer de bien nettoyer la zone à tondre AVANT de commencer à tondre.

Ne pas utiliser cette machine avant d'avoir mis le bac de ramassage au complet ou le protecteur d'éjection (déflecteur) en place.

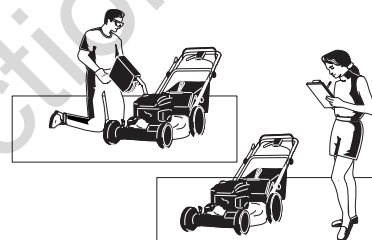
De plus, ne jamais laisser qui que ce soit près de la machine lorsqu'elle est en marche! Si quelqu'un se trouve dans la zone, arrêter immédiatement la tondeuse et attendre que cette personne quitte.

Accumulation de débris



L'accumulation d'herbe et de débris peut causer un incendie. S'assurer de nettoyer toute accumulation d'herbe et de débris avec une brosse ou de l'air comprimé avant et après l'utilisation.

Carburant et entretien



L'essence est extrêmement inflammable. Ses vapeurs sont également extrêmement inflammables et peuvent se déplacer vers des sources de combustion à distance. Utiliser l'essence uniquement comme carburant, non pas comme solvant ou nettoyant. Ne jamais remettre l'essence dans des endroits où ses vapeurs peuvent s'accumuler ou se déplacer vers une source de combustion telle qu'une veilleuse. Le carburant doit être remisé dans des bidons en plastique, hermétiques et homologués, ou dans le réservoir de carburant avec le bouchon bien fermé. Essuyer immédiatement toute éclaboussure de carburant.

Un entretien adéquat est essentiel à la sécurité et à la performance de la machine. S'assurer d'effectuer les procédures d'entretien indiquées dans ce manuel et surtout, de tester périodiquement le dispositif de sécurité.

Messages généraux sur la sécurité



AVERTISSEMENT

Cette puissante tondeuse peut provoquer l'amputation des mains et des pieds ainsi que projeter des objets pouvant causer des blessures et des dommages matériels! Le fait de ne pas satisfaire les instructions de SÉCURITÉ suivantes pourrait causer des blessures graves ou la mort de l'utilisateur ou d'autres personnes. Le propriétaire de cette tondeuse doit comprendre ces instructions et doit permettre uniquement que des personnes qui les comprennent puissent faire fonctionner la machine. Toute personne utilisant cette machine doit être saine d'esprit et de corps et ne doit pas être sous l'influence d'une substance quelconque pouvant modifier sa vision, sa dextérité ou sa capacité de jugement.



AVERTISSEMENT



Les moteurs dégagent du monoxyde de carbone, un gaz toxique sans odeur et sans couleur. Le fait de respirer le monoxyde de carbone peut causer des nausées, des évanouissements ou la mort.

- Démarrer et faites tourner le moteur à l'extérieur.
- Ne faites pas fonctionner le moteur dans un endroit enfermé, même si les portes ou les fenêtres sont ouvertes.

Protection des enfants

Les accidents tragiques peuvent survenir si l'opérateur n'est pas attentif à la présence des enfants. Les enfants sont souvent attirés par la machine et l'activité de tonte. Ne jamais supposer que les enfants resteront à l'endroit où ils ont été vus pour la dernière fois.

1. Les enfants **DOIVENT** être éloignés de la zone de tonte et sous la stricte vigilance d'un adulte autre que l'opérateur.
2. **NE PAS** autoriser que les enfants restent sur le terrain à tondre lorsque la machine est en fonctionnement. Éteindre cette dernière si quelqu'un rentre dans la zone de tonte.
3. **NE PAS** permettre à des adolescents d'utiliser la machine.
4. **PERMETTRE** uniquement à des adultes responsables et à des adolescents à l'esprit mûr sous l'étroite surveillance d'un adulte d'utiliser la machine.
5. **NE PAS** tirer la tondeuse vers l'arrière à moins que ce ne soit vraiment nécessaire. **REGARDER** partout pour **VOIR** s'il y a des enfants, des animaux ou des obstacles avant et pendant la marche arrière.
6. Faire preuve **DE PRUDENCE** à l'approche d'angles morts, d'arbustes, d'arbres et d'autres objets susceptibles de masquer la vision.

Fonctionnement en pente

1. Les pentes sont une des raisons principales des accidents liés aux chutes ou glissades. Ils peuvent causer

des blessures graves. Faire attention supplémentaire sur toutes les pentes. Si vous ne vous sentez pas à l'aise sur une pente, **NE LA TONDEZ PAS**.

2. Tondre les pentes en travers et jamais de haut en bas. Faire preuve d'extrême **ATTENTION** lorsque vous changez la direction de la machine sur une pente. **NE PAS** tondre des pentes raides ou toute autre surface qui a un effet négatif sur la traction ou sur la stabilité de la machine. Se reporter au Guide de pente au dos de ce manuel.
3. Faire preuve d'extrême prudence lors de l'utilisation des bacs de ramassage ou d'autres accessoires; ceux-ci affectent la manipulation et la stabilité de la machine.

Préparation

1. Il est important de lire, comprendre et respecter les instructions et avertissements dans ce manuel et sur la tondeuse, le moteur et les accessoires. Se familiariser avec les commandes de la machine et apprendre à l'utiliser de manière adéquate avant de la mettre en marche.
2. Seules les personnes responsables et mûres peuvent opérer cette machine et uniquement après qu'elles aient été formées de manière adéquate.
3. Les données indiquent que les opérateurs, âgés d'au moins 60 ans, sont impliqués dans un fort pourcentage des blessures associées au matériel de tonte. Ces utilisateurs doivent évaluer leur capacité à faire fonctionner la tondeuse de manière suffisamment sûre pour se protéger et protéger les autres de toute blessure grave.
4. Manipuler le carburant avec la plus grande des précautions. Les carburants sont inflammables et les vapeurs sont explosives. Utiliser uniquement un contenant de carburant approuvé. **NE PAS** enlever le bouchon du réservoir de carburant ou ajouter du carburant lorsque le moteur est en fonctionnement. Ajouter le carburant à l'extérieur et uniquement si le moteur est arrêté et froid. Essuyer les éclaboussures de carburant ou d'huile sur la machine. **NE PAS** fumer.
5. Vérifier la zone à tondre et enlever tous les objets, tels que les jouets, les câbles, les branches, les cailloux, et autres objets qui pourraient causer des blessures s'ils étaient projetés par une lame ou s'ils interféraient avec la tonte. Observer également l'emplacement des trous, des obstacles et d'autres possibles dangers.
6. Maintenir les personnes et les animaux en dehors de la zone de tonte. **ARRÊTER** immédiatement les lames, le moteur et la tondeuse si quelqu'un rentre dans la zone de tonte.
7. Vérifier fréquemment le fonctionnement approprié des commandes de lame, des protecteurs, déflecteurs, interrupteurs, et autres dispositifs de sécurité.
8. Vérifier que les étiquettes de sécurité sont toutes clairement lisibles. Les remplacer si elles sont endommagées.

9. Se protéger durant la tonte et porter des lunettes de sécurité, un pantalon long et des chaussures solides. NE PAS tondre pieds nus ou avec des sandales.
10. Apprendre comment ARRÊTER les lames et le moteur rapidement afin d'être prêt à toute urgence.
11. Faire très attention lors du chargement ou du déchargement de la machine sur une remorque ou un camion.
12. Vérifier fréquemment les composants du bac de ramassage pour des signes d'usure ou de détérioration. Les remplacer si nécessaire afin d'empêcher que des objets projetés, passant à travers des trous endommagés ou usés, ne blessent quelqu'un.

Manipulation sans danger de l'essence

Afin d'éviter toute blessure ou d'endommager un bien, manipuler l'essence avec précaution extrême. L'essence est extrêmement inflammable et ses vapeurs sont explosives.

1. Éteindre cigarettes, cigares, pipes et autres sources de combustion.
2. Utiliser uniquement un contenant de carburant approuvé.
3. NE PAS enlever le bouchon du réservoir de carburant ou ajouter du carburant lorsque le moteur est en fonctionnement. Permettre au moteur de refroidir avant de faire le plein.
4. NE PAS remplir le réservoir à l'intérieur.
5. NE PAS remiser la machine ou le contenant de carburant où il y a une flamme nue, une étincelle ou une veilleuse, comme près d'un chauffe-eau ou de tout autre appareil ménager.
6. NE PAS remplir les contenants de carburant à l'intérieur d'un véhicule, d'un camion ou d'une remorque avec une bâche en plastique. Toujours placer les contenants sur le sol, éloignés de tout véhicule, avant de les remplir.
7. Retirer tout équipement au gaz du camion ou de la remorque et faire le plein sur le sol. Quand cela n'est pas possible, faire le plein de la machine avec un contenant portable plutôt qu'avec un distributeur d'essence.
8. NE PAS démarrer des équipements au gaz dans des véhicules ou des remorques.
9. Garder le bec en contact avec le bord du réservoir de carburant ou de l'ouverture du contenant en tout temps jusqu'à obtention du plein. NE PAS utiliser de dispositif à ouverture bloquée de bec.
10. En cas d'éclaboussures de carburant sur les vêtements, changer immédiatement de vêtements.
11. NE PAS remplir en excès le réservoir de carburant. Remettre le bouchon de carburant en place et bien serrer.

Fonctionnement

1. NE PAS placer les mains ou les pieds près ou en-dessous des pièces en mouvement. Maintenir la zone de décharge libre de toute personne lorsque le moteur est en fonctionnement.

2. ARRÊTER le moteur lorsque vous traversez des chemins, routes, allées en gravier, et chaque fois que la machine peut projeter des objets.
3. N'utiliser la machine qu'à la lumière du jour ou dans une lumière artificielle de bonne qualité.
4. NE PAS utiliser la machine sous l'emprise de l'alcool ou de drogues.
5. Après avoir heurté un objet ou si la tondeuse vibre de manière anormale, ARRÊTER le moteur, débrancher et sécuriser le câble de la bougie d'allumage. Vérifier si la tondeuse a été endommagée et la réparer avant de la faire fonctionner de nouveau.
6. NE PAS tondre à proximité de descentes, de fossés ou de talus. L'opérateur peut perdre pied ou l'équilibre.
7. FAIRE ATTENTION aux trous et autres obstacles dangereux. L'herbe haute peut cacher des obstacles. Maintenir éloigné des fossés, des caniveaux, des clôtures et des objets en saillie.
8. NE PAS tondre de l'herbe mouillée. Maintenir toujours l'équilibre. Tenir fermement la poignée et marcher, ne jamais courir. Les glissades peuvent être source de blessures graves.
9. RESTER TOUJOURS derrière la poignée lorsque le moteur est en fonctionnement.
10. NE PAS quitter la tondeuse si le moteur est en fonctionnement. ARRÊTER LA LAME et LE MOTEUR avant de quitter la position de l'opérateur, quel qu'en soit la raison.
11. Avant le nettoyage, les réparations ou les inspections, s'assurer que le moteur, la lame et toutes les pièces en mouvement sont ARRÊTÉS. Débrancher et sécuriser le câble de la bougie afin d'empêcher le démarrage accidentel de la tondeuse.
12. ARRÊTER le moteur et attendre que la lame se soit totalement ARRÊTÉE avant d'enlever le sac à herbe ou d'enlever l'herbe.
13. NE PAS utiliser cette tondeuse avant d'avoir mis le bac de ramassage au complet, le protecteur d'éjection ou autres dispositifs de sécurité en place et fonctionnels. NE PAS orienter la décharge vers des personnes, des voitures, des fenêtres ou des portes.
14. NE PAS décharger du matériel contre un mur ou une obstruction. Le matériel risque de ricocher vers l'utilisateur.
15. Ralentir avant de tourner.
16. Surveiller la circulation lors de l'utilisation à proximité des routes ou en les traversant.
17. NE PAS faire fonctionner le moteur dans des espaces fermés. Les gaz d'échappement du moteur contiennent du monoxyde de carbone qui est un poison mortel.
18. Utiliser uniquement des accessoires approuvés par le fabricant. Pour la pose et l'utilisation des accessoires, voir les instructions du fabricant.

Entretien et remisage

1. NE PAS remettre la tondeuse ou le contenant de carburant dans un espace où les fumées peuvent atteindre une flamme nue, une étincelle ou une veilleuse, comme près d'un chauffe-eau, une fournaise, un sèche-linge ou tout autre appareil au gaz. Laisser le moteur refroidir avant de remettre la machine dans un endroit clos. Remiser le bidon de carburant hors de portée des enfants dans un bâtiment inoccupé et bien aéré.
2. Enlever le gazon, les feuilles et tout excès de graisse de la tondeuse et du moteur afin d'éviter les incendies et la surchauffe de ce dernier.
3. Lors de la vidange du réservoir de carburant, vider le carburant à l'extérieur dans un contenant approuvé et loin de toute flamme nue.
4. Serrer bien tous les boulons, en particulier les boulons de la lame, les écrous et les vis. Vérifier que toutes les goupilles fendues sont en bonne place.
5. Toujours assurer une ventilation adéquate lors du fonctionnement du moteur. Les gaz d'échappement du moteur contiennent du monoxyde de carbone qui est un poison mortel.
6. Réparer le moteur et réaliser des réglages uniquement lorsque ce dernier est à l'arrêt. Enlever le câble de la bougie et le sécuriser loin de la bougie pour empêcher tout démarrage accidentel.
7. NE PAS changer les paramètres du régulateur de vitesse du moteur ni emballer le moteur.
8. Vérifier le sac à herbe fréquemment afin de voir s'il est usé ou détérioré pour éviter des objets projetés et l'exposition aux pièces en mouvement. Remplacer par un sac neuf si vous observez que les jonctions sont desserrées ou qu'il y a des déchirures. Remplacer la glissière ou l'adaptateur du sac s'il est cassé ou fêlé.
9. Les lames de la tondeuse sont aiguisées et peuvent couper. Emballer les lames ou porter des gants résistants, et faire ATTENTION lors de leur manipulation.
10. NE PAS essayer l'étincelle avec une mise à terre proche des puits de bougie; la bougie d'allumage pourrait enflammer les gaz sortant du moteur.
11. Faire inspecter la tondeuse par un concessionnaire agréé au moins une fois par an et faire installer par le concessionnaire tout nouveau dispositif de sécurité.
12. Utiliser uniquement des pièces de rechange approuvées par l'usine ou l'équivalent lors de réparations.
13. Retirer la batterie (si équipée) avant de faire les ajustements ou les réparations.

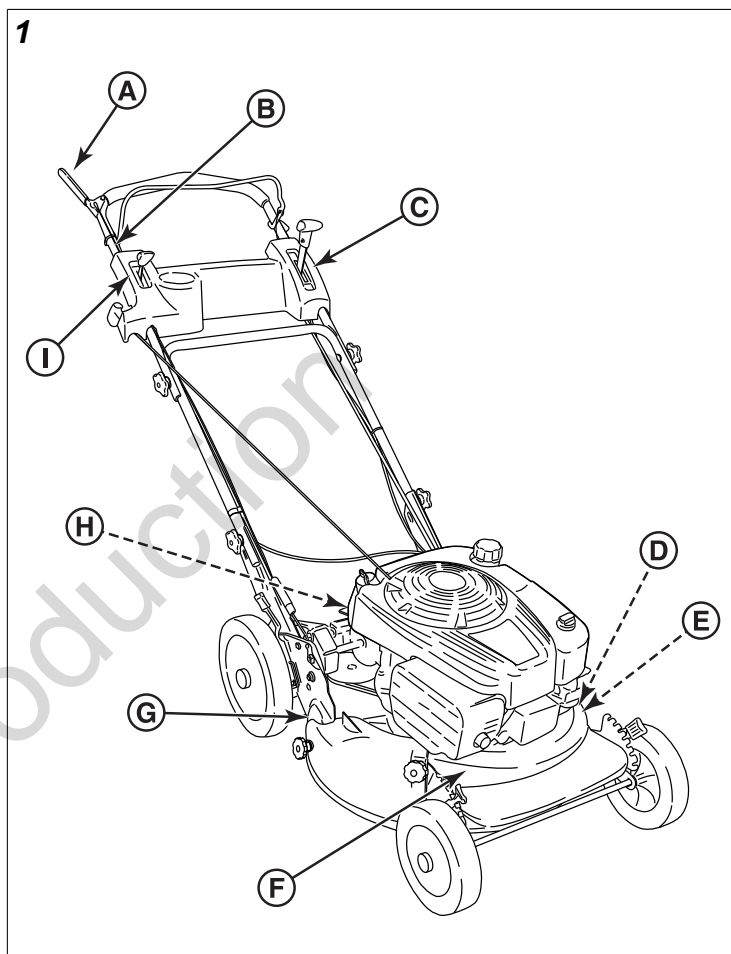
Étiquettes de sécurité et de fonctionnement



Lire ce manuel et les instructions de sécurité qu'il contient offrira la connaissance de base nécessaire pour faire fonctionner cette tondeuse de façon sécuritaire et efficacement. Toutefois, plusieurs étiquettes de sécurité et de fonctionnement ont aussi été placées sur la tondeuse comme rappel de cette information importante durant l'utilisation.



Les étiquettes notées ci-dessous sont situées sur la tondeuse. Les avertissements de sécurité et les instructions d'utilisation qu'elles contiennent devraient être lus attentivement, compris et suivis. Ne pas suivre ces avertissements importants et ces instructions peut causer des blessures corporelles sérieuses ou la mort.


Si l'une de ces étiquettes est perdue ou endommagée, la remplacer immédiatement. Contacter votre concessionnaire pour les remplacements d'étiquettes.

Comparez la Figure 1 avec le tableau suivant.



A		Commande d'entraînement <ul style="list-style-type: none"> • Presser la commande d'entraînement contre la poignée pour embrayer l'entraînement des roues.
B		OPC (Commande de lame) <ul style="list-style-type: none"> • Presser la commande de lame pour démarrer et faire fonctionner le moteur et la lame. • Relâcher la commande de lame pour arrêter le moteur et la lame.

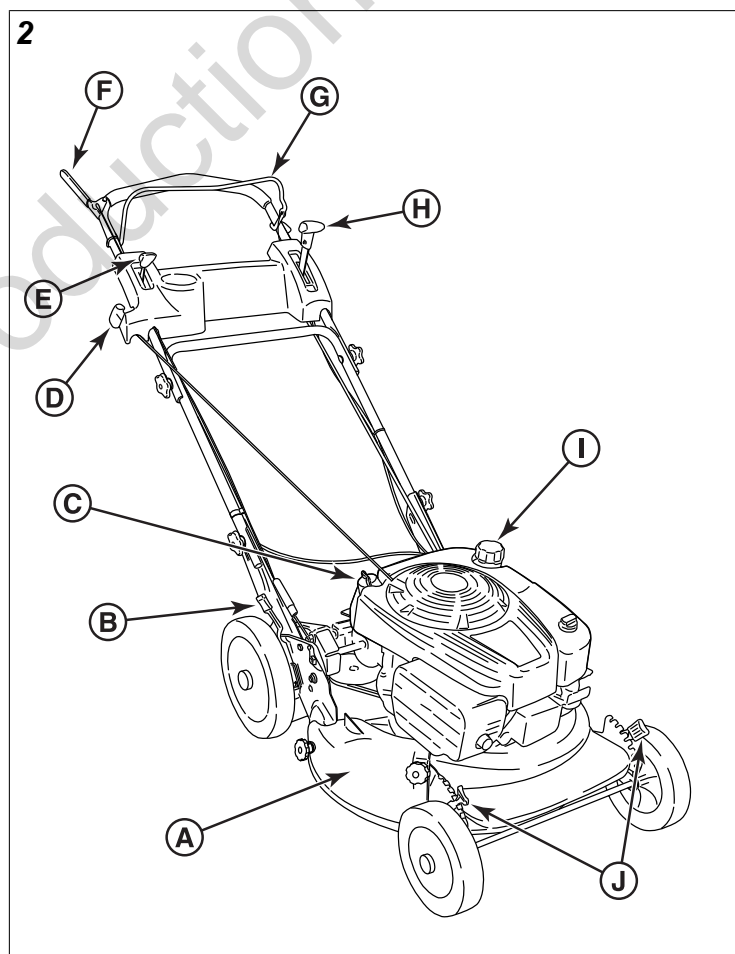
C		<p>Commande de vitesse d'avance</p> <ul style="list-style-type: none"> Déplacer la commande de vitesse d'avance vers Rapide (Lapin) pour augmenter la vitesse d'avance. Déplacer la commande de vitesse d'avance vers Lent (Tortue) pour diminuer la vitesse d'avance.
D	<p>WARNING Fire Hazard. Operation of this equipment may create sparks that can start fires around dry vegetation. A spark arrestor may be required. The operator should contact local fire agencies for laws or regulations relating to fire prevention requirements.</p> <p>AVERTISSEMENT Risque d'incendie. Ce matériel peut produire des étincelles et déclencher des feux de broussailles. Un pare-étincelles peut s'avérer nécessaire. Contactez les organismes locaux de lutte contre les incendies pour obtenir les réglementations concernant les exigences de prévention incendie.</p>	<p>AVERTISSEMENT Un pare-étincelles peut être requis.</p>
E	<p>WARNING AVOID SERIOUS INJURY OR DEATH • Read operator's manual. • Keep safety devices (guards, shields, switches, etc.) in place and working. • Go across slopes, not up or down. • Remove objects that could be thrown by blades. • Do not mow when children or others are around. • Look down and behind before and while mowing backwards. • Wait at least 2 minutes before refueling.</p> <p>AVERTISSEMENT POUR ÉVITER DES BLESSURES GRAVES VOIRE MORTELLES • Lire le manuel d'utilisation. • Maintenir en place et en état de marche les dispositifs de sécurité (protections, écrans, commutateurs, etc.). • Passer latéralement sur les pentes, pas en montant ou descendant. • Enlever les objets qui peuvent être projetés par la lame. • Ne pas tondre si il y a des enfants ou des badauds aux alentours. • Patienter au moins 2 minutes avant de refaire le plein.</p> <p>DANGER AMPUTATION AND THROWN OBJECT HAZARD • Keep hands and feet away from deck. • Do not operate mower unless discharge chute or entire grass catcher is in its proper place.</p> <p>DANGER RISQUE D'AMPUTATION ET OBJETS PROJÉTÉS • Garder mains et pieds à l'écart de la plate-forme de coupe. • Ne pas utiliser la tondeuse si le déversoir ou toute bac à herbe pas bien en place.</p>	<p>AVERTISSEMENT Éviter des blessures graves voire la mort.</p>
F		<p>DANGER Tenir les mains et les pieds à l'écart.</p>
G	<p>DANGER AMPUTATION AND THROWN OBJECT HAZARD • Keep hands and feet away from deck. • Do not operate mower unless discharge chute or entire grass catcher is in its place.</p>	<p>DANGER Risque d'amputation et d'objet projeté.</p>
G	<p>DANGER RISQUE D'AMPUTATION ET OBJETS PROJÉTÉS • Garder mains et pieds à l'écart de la plate-forme de coupe. • Ne pas utiliser la tondeuse si le déversoir ou tout le bac à herbe pas bien en place.</p>	<p>DANGER Risque d'amputation et d'objet projeté.</p>
H	<p>WARNING Cancer and Reproductive Harm www.P65Warnings.ca.gov</p> <p>AVERTISSEMENT Cancer ET Troubles de l'appareil reproducteur www.P65Warnings.ca.gov</p>	<p>AVERTISSEMENT: Cancer et troubles de l'appareil reproducteur.</p>

I		<p>Commande du régime du moteur</p> <ul style="list-style-type: none"> Déplacer la commande du régime du moteur dans la direction indiquée pour augmenter ou diminuer le régime du moteur.
---	---	---

Caractéristiques et commandes

Remarque : Les figures et illustrations dans ce manuel sont fournies à titre indicatif et peuvent différer de ce modèle spécifique. Contacter votre concessionnaire si vous avez des questions.

Comparer la Figure 2 avec le tableau suivant.



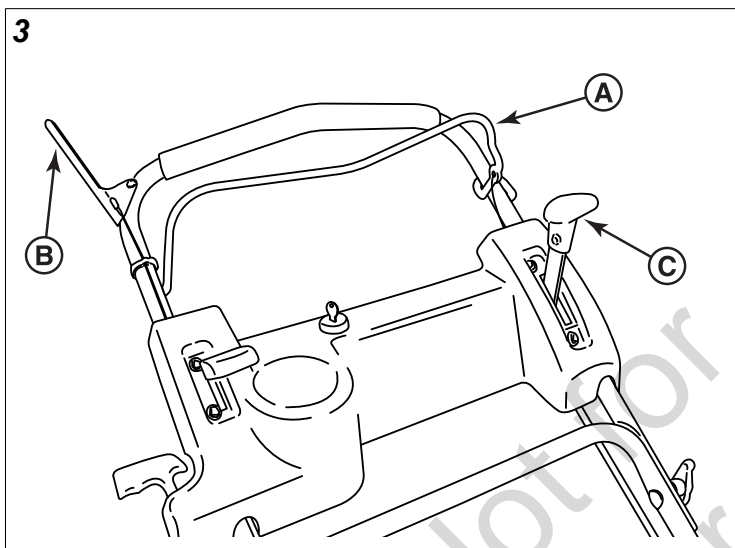
A	Couvercle de paillage
B	Loquet de réglage de hauteur arrière (2)
C	Bouchon de remplissage d'huile et jauge d'huile
D	Poignée de lanceur
E	Commande du régime du moteur

F	Commande d'entraînement
G	Commande de lame
H	Commande de vitesse d'avance
I	Bouchon de remplissage de carburant
J	Loquet de réglage de hauteur avant (2)

Utilisation

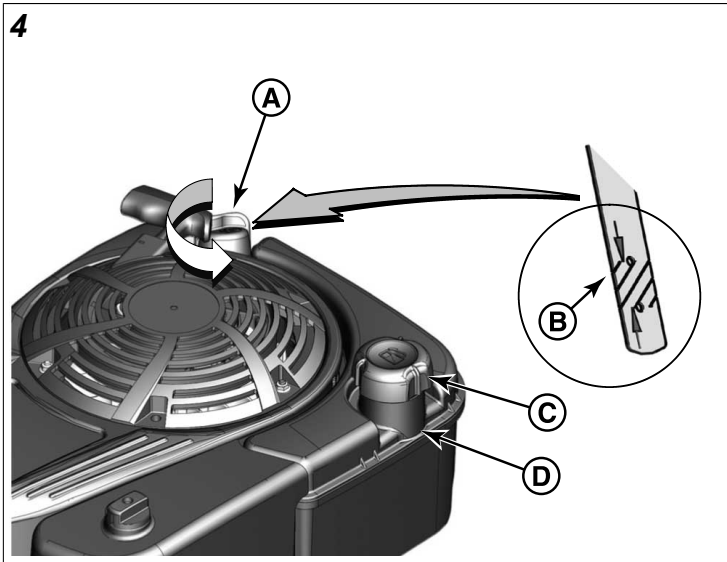
Avant de faire fonctionner

1. Vérifier que les protections, déflecteurs, sac de ramassage et couvercles sont tous en place et solidement fixés.
2. Vérifiez la commande de lame (A, Figure 3), la commande d'entraînement (B) et la commande de vitesse d'avance (C) pour vous assurer qu'elles fonctionnent librement.



3. Vérifier la hauteur de coupe. Régler à la hauteur désirée. Consulter **Réglage de la hauteur de coupe**.
4. Contrôler le niveau d'huile du moteur.

- S'assurer que la tondeuse se trouve sur une surface de niveau.
- Débarrasser de tout débris la zone de remplissage d'huile.
- Déposer le bouchon-jauge (A, Figure 4) et essuyez-la avec un tissu propre.
- Insérer la jauge d'huile et la serrer.
- Sortir la jauge et vérifier le niveau d'huile. Il devrait atteindre le haut de la marque « plein » (B) sur la jauge d'huile.
- Si le niveau est bas, ajouter lentement de l'huile dans l'orifice de remplissage du moteur. Consulter **Recommandations relatives à l'huile** Ne pas trop remplir. Après avoir ajouté l'huile, attendre une minute, puis revérifier le niveau d'huile.
- Replacer la jauge d'huile et la serrer.



5. Ajouter du carburant dans le réservoir :

- S'assurer que la tondeuse est à l'extérieur, où les vapeurs peuvent se dissiper de façon sécuritaire.
- Enlever le bouchon du réservoir de carburant (C, Figure 4).
- Remplir le réservoir avec du carburant. Consulter **Recommandations de carburant** Pour permettre au carburant de se dilater, ne pas dépasser la base du col du réservoir (D).
- Replacer le bouchon du réservoir de carburant.

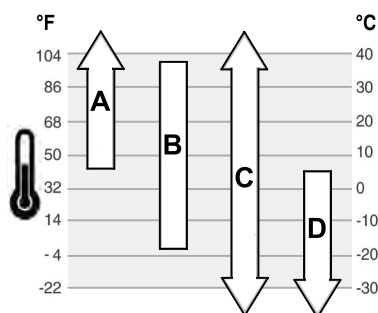
6. Nettoyer les surfaces extérieures du carter de coupe et du moteur de tout dépôt d'essence renversée, saleté, herbe, huile, etc. Garder la prise d'air et les ailettes de refroidissement du moteur dégagées en permanence.

7. Charger la batterie. Consulter **Recharge de la batterie**.

Recommandations relatives à l'huile

Nous recommandons l'utilisation d'huiles garanties et certifiées Briggs & Stratton pour obtenir les meilleures performances. D'autres huiles détergentes de haute qualité sont acceptables si elles sont de catégorie SF, SG, SH, SJ ou supérieure. Ne pas utiliser d'additifs spéciaux.

Les températures extérieures déterminent la viscosité de l'huile convenant au moteur. Utiliser le tableau pour sélectionner la meilleure viscosité pour la plage de températures extérieures prévues.



- | | |
|----|--|
| A. | SAE 30 - En-dessous de 40 °F (4 °C), l'utilisation de SAE 30 causera une difficulté de mise en marche. |
|----|--|

B.	10W-30 - Au-dessus 80 °F (27 °C) l'utilisation de 10W-30 peut causer une augmentation de consommation d'huile. Vérifier le niveau d'huile plus fréquemment.
C.	Synthétique 5W-30
D.	10W-30

Recommandations de carburant

Le carburant doit répondre aux critères suivants :

- Essence sans plomb, propre et récemment achetée.
- Au minimum 87 octanes/87 AKI (91 RON). Pour une utilisation en haute altitude, voir ci-dessous.
- Une essence contenant jusqu'à 10 % d'éthanol (gazohol) est acceptable.

AVIS Ne pas utiliser d'essence non approuvée telle que E15 et E85. Ne pas mélanger de l'huile avec l'essence ou modifier le moteur afin qu'ils puissent utiliser des carburants alternatifs. L'utilisation de carburants non approuvés pourrait endommager des composants des moteurs; **ces dommages ne seront pas couverts par la garantie.**

Pour empêcher que de la gomme ne se forme dans le circuit d'alimentation, mélanger un stabilisateur de carburant à l'essence. Consultez **Entreposage** Tous les carburants ne sont pas identiques. Si des problèmes de démarrage ou de performance se produisent, changer de fournisseur de carburant ou de marque. Ce moteur est certifié pour fonctionner à l'essence. Le système de contrôle des émissions pour ce moteur est EM (Modifications du moteur).

Haute altitude

À des altitudes supérieures à 1 524 mètres (5 000 pieds), de l'essence d'au minimum 85 octane/85 AKI (89 RON) est acceptable.

Pour conserver les caractéristiques d'émission, un réglage spécial haute altitude est nécessaire. Faire fonctionner le moteur sans ce réglage fait baisser ses performances, augmenter la consommation de carburant et les émissions. Contacter un Réparateur agréé Briggs & Stratton pour davantage d'informations sur le réglage haute altitude. Le fonctionnement du moteur à une altitude inférieure à 762 mètres (2 500 pieds) avec le kit haute altitude n'est pas recommandé.

Pour les moteurs à injection électronique (EFI), le réglage haute altitude est inutile.

Démarrer la tondeuse



AVERTISSEMENT



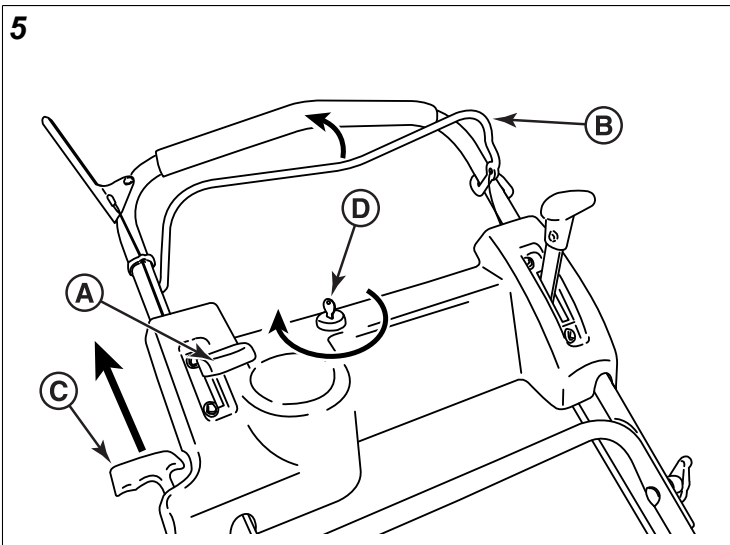
Risque de gaz toxique

Les gaz d'échappement contiennent du monoxyde de carbone, un gaz toxique pouvant provoquer la mort en quelques minutes. Il s'agit d'un gaz que vous ne pouvez ni voir, ni sentir, ni goûter. Même si vous ne sentez pas de vapeurs d'échappement, vous pourriez quand même être exposé au gaz de monoxyde de carbone. Si vous commencez à vous sentir mal, étourdi(e), ou faible en utilisant cette tondeuse, arrêtez-la et sortez au grand air IMMÉDIATEMENT. Voir un médecin. Vous pourriez être intoxiqué(e) par le monoxyde de carbone.

- Faire **UNIQUEMENT** fonctionner cette tondeuse à l'intérieur et loin des fenêtres, portes, et événements afin de réduire le risque que le gaz de monoxyde de carbone ne s'accumule et ne soit potentiellement aspiré vers des espaces occupés.
- Installer des avertisseurs de monoxyde de carbone fonctionnant à piles ou alimentés par câble avec batterie de secours selon les directives du fabricant. Les détecteurs de fumée ne détectent pas le monoxyde de carbone.
- **NE PAS** faire fonctionner cette tondeuse à l'intérieur des maisons, garages, sous-sols, vides sanitaires, remises, ou autres espaces partiellement clos, même si des ventilateurs sont utilisés ou des portes et fenêtres sont laissées ouvertes pour la ventilation. Le monoxyde de carbone peut s'accumuler rapidement dans ces espaces et peut y rester pendant des heures, même après l'arrêt de la tondeuse.
- Installer **TOUJOURS** cette tondeuse sous le vent et diriger l'échappement du moteur à l'opposé des espaces occupés.

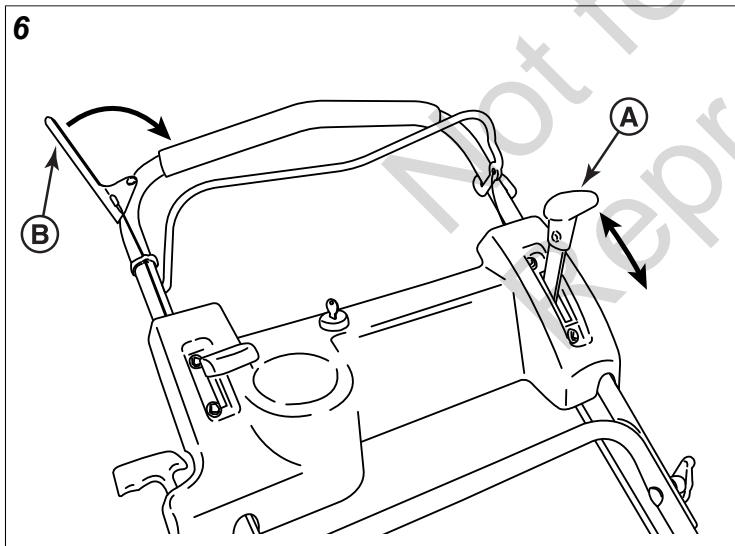
Le moteur de cette tondeuse est équipé du Système Briggs & Stratton Ready Start™. Ce système comprend un volet de départ automatique contrôlé selon la température. Aucune étape supplémentaire n'est requise pour démarrer un moteur froid.

1. Ajustez la commande de vitesse d'avancement (A, Figure 5 (si équipé) à la position Vite. (« Lapin »).
2. Presser la commande de lame (B) contre la poignée.
3. Démarrer la tondeuse :
 - Modèles à démarrage manuel : Tirer la poignée de lanceur (C) pour démarrer le moteur.
 - Modèles à démarrage électrique : Insérer la clé (D) dans l'interrupteur de démarrage électrique. Tourner la clé pour démarrer le moteur. Utiliser des cycles de démarrage courts, cinq secondes maximum, et attendre 1 minute entre les cycles de démarrage.
4. Pour arrêter le moteur (et la lame), relâcher la commande de lame.
5. Une fois que le moteur a démarré, le laisser brièvement chauffer jusqu'à ce qu'il tourne sans raté avant de commencer à tondre.



Propulsion de la tondeuse

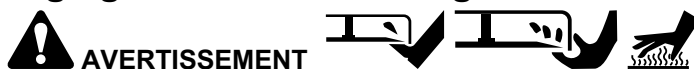
1. Démarrer la tondeuse.
2. Ajuster la commande de vitesse d'avancement (A, Figure 6) jusqu'à la position de vitesse désirée.
3. Presser la commande des roues motrices (B) vers la poignée pour embrayer l'entraînement des roues et propulser la tondeuse vers l'avant. La vitesse avant peut être réglée tandis que la tondeuse est en mouvement en changeant la position de la commande de vitesse d'avancement.



Arrêt la tondeuse

1. Pour arrêter le déplacement de la tondeuse en marche avant, relâchez la commande des roues motrices.
2. Pour arrêter le moteur et la lame, relâchez la commande de lame.
3. Modèles à démarrage électrique : Retirer la clé de l'interrupteur de démarrage électrique.

Réglage de la hauteur du guidon



Risque d'amputation

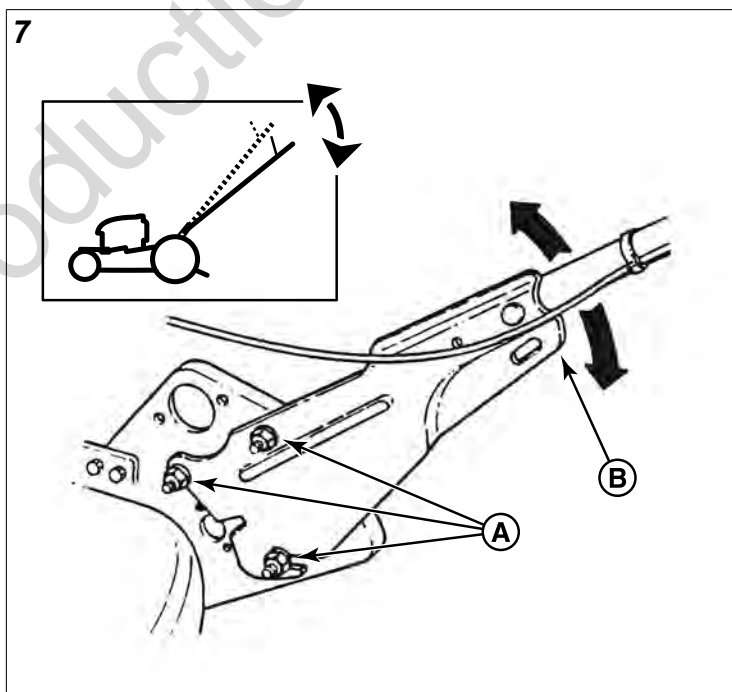
- NE PAS effectuer d'entretien, de réglage ou de réparation lorsque le moteur et la lame sont en marche.
- ARRÊTER le moteur et la lame.
- Débrancher le câble de la bougie d'allumage et le sécuriser loin de la bougie.

Risque de brûlure

- Le moteur et ses pièces sont CHAUDS.
- Pour éviter les brûlures graves, laisser refroidir toutes les pièces suffisamment longtemps.

La hauteur du guidon de la tondeuse se règle de la manière suivante :

1. Desserrer les écrous du bas (A, Figure 7) sur chaque guidon inférieur.
2. Déplacer l'ensemble du guidon (B) vers le haut ou vers le bas jusqu'à ce que la position désirée soit atteinte.
3. Serrer les écrous du bas sur chaque guidon pour maintenir la position désirée.



Réglage de la hauteur de coupe



AVERTISSEMENT



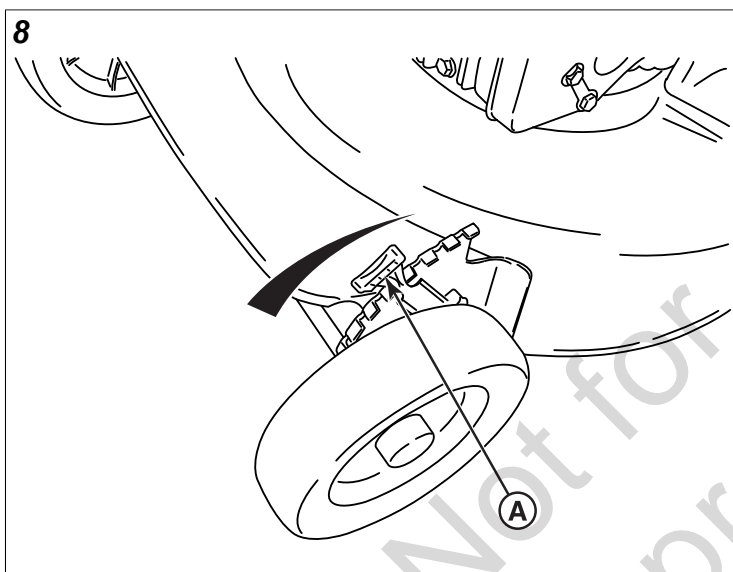
Risque d'amputation

- NE PAS effectuer d'entretien, réglage ou réparation avec le moteur et la lame en marche.
- ARRÊTER le moteur et la lame.
- Débrancher le câble de la bougie d'allumage et le sécuriser loin de la bougie.

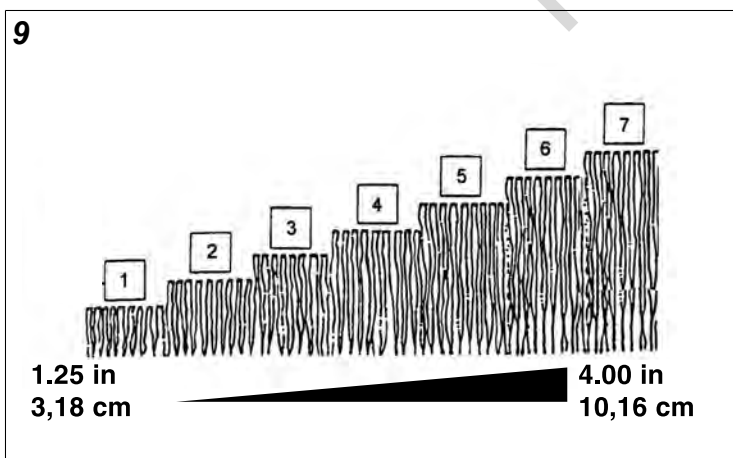
Risque de brûlure

- Le moteur et ses pièces sont CHAUDS.
- Pour éviter les brûlures graves, laisser refroidir toutes les pièces suffisamment longtemps.

1. Tirer le loquet de réglage de hauteur (A, Figure 8) vers l'extérieur et le placer à la hauteur désirée.



2. Régler toutes les roues à la même hauteur de coupe. La position de coupe la plus haute est l'encoche 7 (Figure 9). La position de coupe la plus basse est l'encoche 1.



Utilisation du paillage

Pour les meilleurs résultats de paillage, couper jusqu'à un maximum de 1/3 de la longueur des brins d'herbe et recycler **UNIQUEMENT** lorsque l'herbe est sèche.

1. Régler toutes les roues à la position de coupe la plus haute (Encoche 7). Consulter **Réglage de la hauteur de coupe**.
2. Déplacer la commande du régime du moteur à la position rapide (Lapin).
3. Déplacer la commande de vitesse d'avance au réglage de vitesse le plus lent.
4. Commencer à tondre lentement. Si l'herbe est très dense, abaisser chaque loquet de roue arrière d'une encoche plus bas que les loquets des roues avant pour améliorer la performance de paillage.

Remarque : Le couvercle de paillage doit demeurer sur la machine en tout temps, à moins de vouloir d'autres types d'éjection, comme une éjection par le côté ou dans un sac.

Enlever le couvercle de paillage

(Accessoire en option sur certains modèles)



AVERTISSEMENT



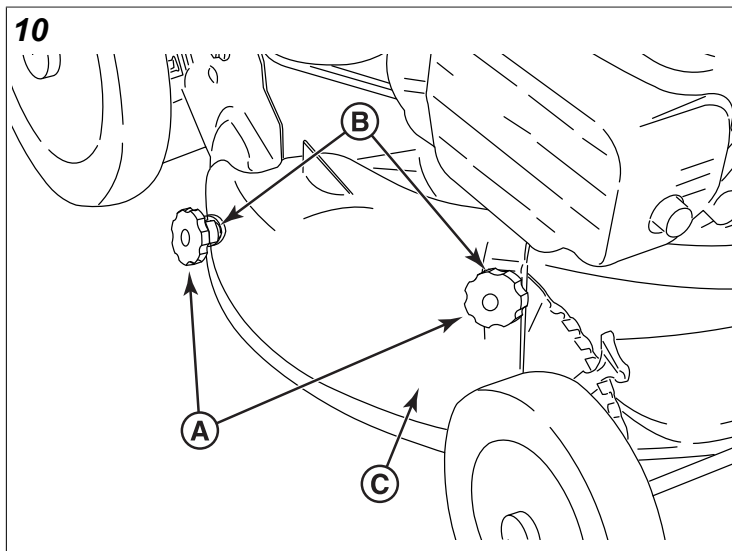
Risque d'amputation

- NE PAS effectuer d'entretien, de réglage ou de réparation avec le moteur et la lame en marche.
- ARRÊTER le moteur et la lame.
- Débrancher le câble de la bougie d'allumage et le sécuriser loin de la bougie.

Risque de brûlure

- Le moteur et ses pièces sont CHAUDS.
- Pour éviter les brûlures graves, laisser refroidir toutes les pièces suffisamment longtemps.

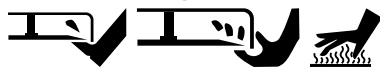
1. Retirer les boutons écrous (A, Figure 10) et les rondelles à denture interne/externe (B) en retenant le couvercle de paillage (C) au châssis de la tondeuse.
2. Enlever le couvercle.



Installation du déflecteur d'éjection



AVERTISSEMENT



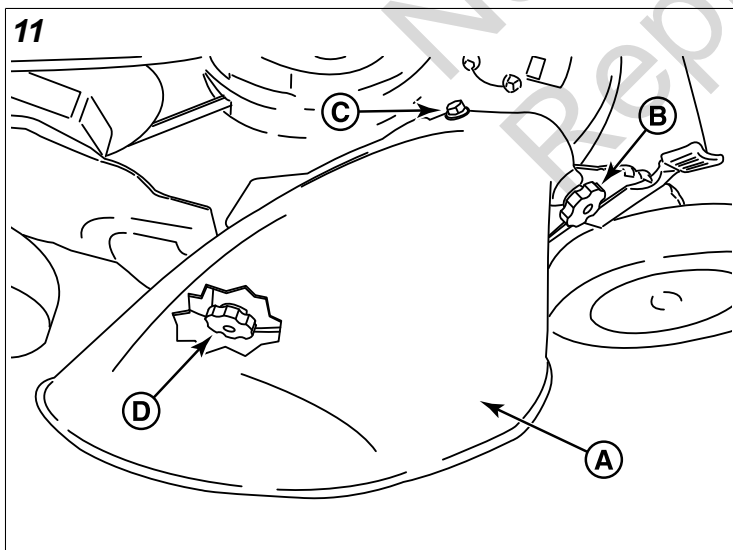
Risque d'amputation

- NE PAS effectuer d'entretien, de réglage ou de réparation avec le moteur et la lame en marche.
- ARRÊTER le moteur et la lame.
- Débrancher le câble de la bougie d'allumage et le sécuriser loin de la bougie.

Risque de brûlure

- Le moteur et ses pièces sont CHAUDS.
- Pour éviter les brûlures graves, laisser refroidir toutes les pièces suffisamment longtemps.

1. Enlever le couvercle de paillage. Consulter **Utilisation du paillage**.
2. Installer le déflecteur (A, Figure 11) au châssis au lieu du couvercle de paillage, en vous assurant que :
 - Le trou avant (B) sur l'avant extérieur du déflecteur va par-dessus le bouton pression où l'avant du couvercle de paillage était originalement attaché;
 - La fente (C) sur le dessus du déflecteur glisse sous l'écrou de retenue sur le dessus du châssis (sous le coin droit avant du moteur);
 - La fente (D) sur l'intérieur arrière du déflecteur glisse sur le bouton pression derrière l'arrière de l'ouverture de décharge, où l'arrière du couvercle de paillage était originalement attaché.
3. Installer les rondelles à denture interne/externe et les boutons écrous dans les boutons pression et serrer suffisamment.



AVERTISSEMENT



Risque de projection d'objets

NE PAS utiliser sans que le bac à ramassage ou une protection ne soit en place. Les composants du bac de ramassage peuvent se détériorer durant un usage normal. Inspecter fréquemment et remplacer immédiatement les composants usés ou endommagés.

Installation de l'adaptateur de sac de ramassage

(Accessoire en option sur certains modèles)



AVERTISSEMENT



Risque d'amputation

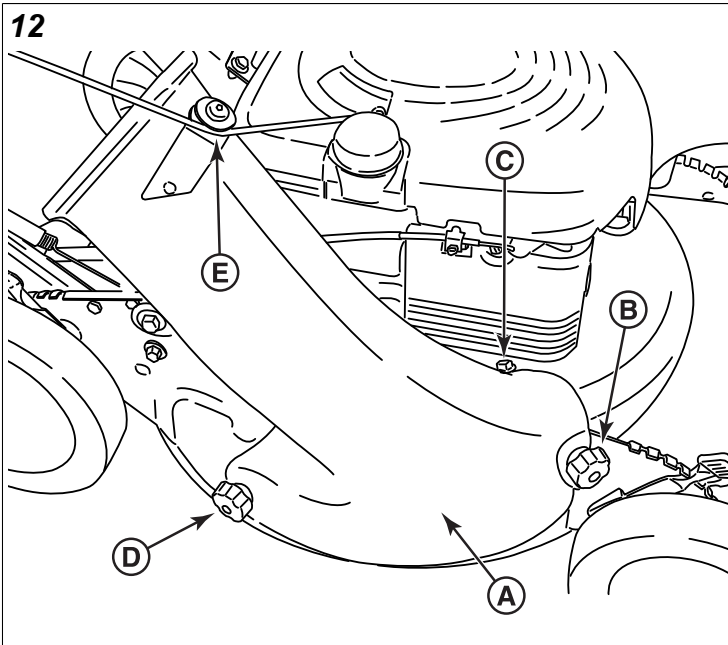
- NE PAS effectuer d'entretien, de réglage ou de réparation avec le moteur et la lame en marche.
- ARRÊTER le moteur et la lame.
- Débrancher le câble de la bougie d'allumage et le sécuriser loin de la bougie.

Risque de brûlure

- Le moteur et ses pièces sont CHAUDS.
- Pour éviter les brûlures graves, laisser refroidir toutes les pièces suffisamment longtemps.

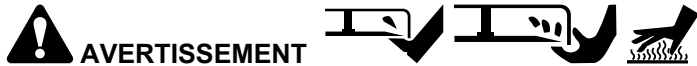
1. Enlever le couvercle de paillage. Consulter **Retrait du couvercle de paillage**.
2. Installer l'adaptateur (A, Figure 12) au châssis au lieu du couvercle de paillage, en vous assurant que :
 - Le trou avant (B) sur l'avant extérieur de l'adaptateur va par-dessus le bouton pression où l'avant du couvercle de paillage était originalement attaché;
 - La fente (C) sur le dessus de l'adaptateur glisse sous l'écrou de retenue sur le dessus du châssis (sous le coin droit avant du moteur);
 - La fente (D) sur l'arrière de l'adaptateur glisse sur le bouton pression derrière l'arrière de l'ouverture de décharge, où l'arrière du couvercle de paillage était originalement attaché.
3. Installer les rondelles à denture interne/externe et les boutons écrous dans les boutons pression et serrer suffisamment.
4. Acheminer le câble du lanceur autour de l'extérieur de la poulie du guide-câble (E).

Remarque : Le câble du lanceur peut devoir être desserré. Consulter **Démarrage de la tondeuse**.



Installation du bouchon de paillage

(Accessoire en option sur certains modèles)



Risque d'amputation

- NE PAS effectuer d'entretien, de réglage ou de réparation avec le moteur et la lame en marche.
- ARRÊTER le moteur et la lame.
- Débrancher le câble de la bougie d'allumage et le sécuriser loin de la bougie.

Risque de brûlure

- Le moteur et ses pièces sont CHAUDS.
- Pour éviter les brûlures graves, laisser refroidir toutes les pièces suffisamment longtemps.

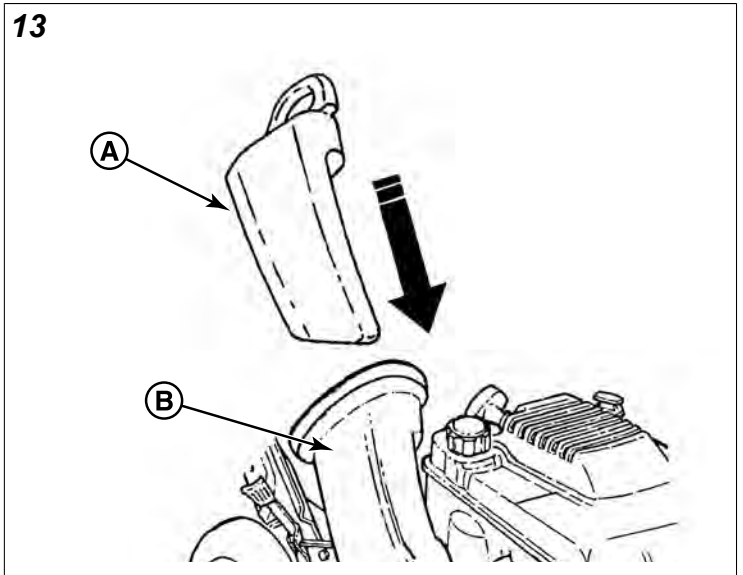
1. Install the mulching plug (A, Figure 13) si un paillage est souhaité une fois l'adaptateur de sac installé. Installer le bouchon de paillage complètement et fermement dans l'adaptateur g de sac (B).
2. Installer le sac de ramassage comme protection et pour sécuriser encore plus le bouchon de paillage.



Risque de projection d'objets

Installer le sac de ramassage si vous utilisez le bouchon de paillage. Ne pas le faire pourrait causer des blessures corporelles ou la mort.

3. Consultez *Utilisation du paillage* .



Installation du sac de ramassage

(Accessoire en option sur certains modèles)



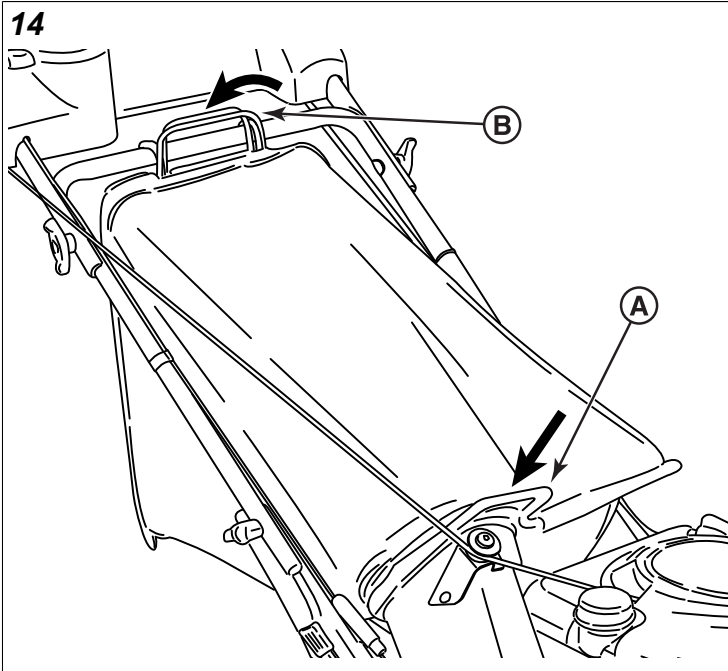
Risque d'amputation

- NE PAS effectuer d'entretien, de réglage ou de réparation avec le moteur et la lame en marche.
- ARRÊTER le moteur et la lame.
- Débrancher le câble de la bougie d'allumage et le sécuriser loin de la bougie.

Risque de brûlure

- Le moteur et ses pièces sont CHAUDS.
- Pour éviter les brûlures graves, laisser refroidir toutes les pièces suffisamment longtemps.

1. Installer l'adaptateur de sac de ramassage. Consultez *Installer l'adaptateur de sac de ramassage* .
2. Installer le sac de ramassage en glissant le connecteur (A, 14) par-dessus la bride de l'adaptateur. par-dessus la bride de l'adaptateur.
3. Attacher les crochets du sac de ramassage (B) par-dessus la traverse au milieu du guidon.



⚠️ AVERTISSEMENT

Risque de fonctionnement non sécuritaire

Les sacs pour bac de ramassage sont fabriqués de tissu tissé et sont sujets à la détérioration et à l'usure pendant une utilisation normale. Vérifier l'état du sac avant chaque utilisation. Remplacer immédiatement les sacs usés ou endommagés avec des sacs de remplacement originaux seulement. Le bac de ramassage est un équipement en option sur certains modèles.

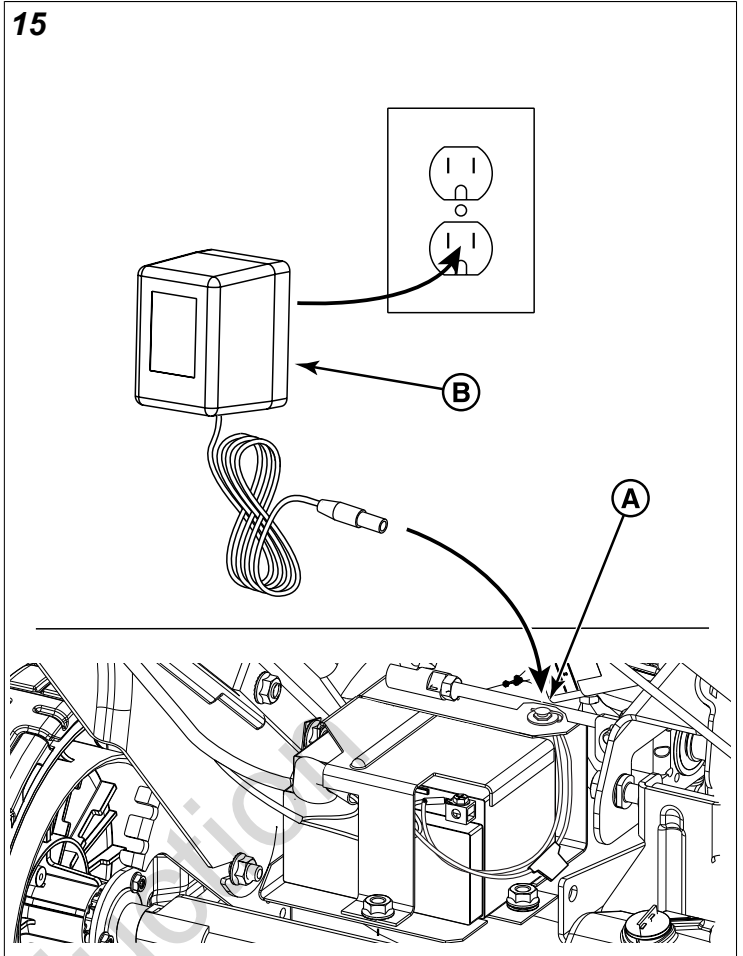
Recharge de la batterie

(Accessoire en option sur certains modèles)

La batterie fournie avec votre tondeuse est scellée et sans entretien. Elle n'exige aucun soin autre que de la garder correctement chargée. Utiliser uniquement le chargeur fourni avec votre tondeuse lors de la recharge de la batterie.

Charger la batterie après chaque utilisation, et si la batterie a été remise pendant plus de 30 jours. Le temps requis pour charger la batterie varie, mais typiquement 16 à 24 heures suffisent pour remettre la batterie en condition de pleine charge.

1. Enlever le bouchon anti-poussière de la prise du chargeur (A, Figure 15).
2. Brancher le chargeur de batterie (B) dans la prise du chargeur.
3. Brancher le chargeur dans une prise murale de 120 V.
4. Charger la batterie pour une période de 16 à 24 heures. (Des périodes plus longues n'endommageront pas la batterie).
5. Débrancher le chargeur de la prise murale.
6. Débrancher le chargeur de la prise du chargeur.
7. Remettre le bouchon anti-poussière dans la prise du chargeur.



⚠️ AVERTISSEMENT 

Risque d'explosion

Éviter des blessures sérieuses et des dommages matériels.

- NE PAS tenter de charger cette batterie avec des chargeurs d'automobile ou des charges « forcées ».
- NE PAS tenter d'utiliser une batterie d'appoint pour faire démarrer une tondeuse qui a une batterie déchargée.
- Utiliser toujours le chargeur fourni avec cette tondeuse pour charger cette batterie.

Entretien

Service de contrôle des émissions

L'entretien, le remplacement ou la réparation du système de contrôle des émissions et de ses dispositifs peuvent être effectués par tout établissement de réparations de moteur hors route ou par une personne. Cependant, pour obtenir un service après-vente « gratuit » du contrôle des émissions, le travail doit être effectué par un revendeur agréé de l'usine. Vous reporter aux Émissions Déclarations de contrôle.

Tableau d'entretien



AVERTISSEMENT

Risque d'amputation

- NE PAS effectuer d'entretien, de réglage ou de réparation avec le moteur et la lame en marche.
- ARRÊTER le moteur et la lame.
- Débrancher le câble de la bougie d'allumage et le sécuriser loin de la bougie.

Risque de brûlure

- Le moteur et ses pièces sont CHAUDS.
- Pour éviter les brûlures graves, laisser refroidir toutes les pièces suffisamment longtemps.

Risque de lacération

- Porter des gants de cuir épais pour manipuler ou travailler autour de lames de coupe.
- Les lames sont extrêmement tranchantes et peuvent causer de graves blessures.

TONDEUSE
Toutes les 8 heures ou chaque jour
Vérifier le système de verrouillage de sécurité
Nettoyer les débris de la tondeuse
Toutes les 25 heures ou 1 fois l'an
Vérifier la tondeuse pour qu'il n'y ait pas d'éléments desserrés
Voir le concessionnaire tous les ans pour
Lubrifier la tondeuse
Vérifier la lame de coupe **
Vérifier le temps d'arrêt de la lame de coupe
Vérifier la courroie d'entraînement
Nettoyer la batterie et les câbles

*Indifféremment, ce qui se présente en premier.

**Vérifier la lame plus souvent dans les régions aux sols sablonneux ou quand il y a beaucoup de poussière.

MOTEUR
Les 5 premières heures
Changez l'huile du moteur
Toutes les 8 heures ou chaque jour
Vérifier le niveau d'huile du moteur
Toutes les 25 heures ou 1 fois l'an
Nettoyer le filtre à air du moteur et le dépoussiéreur (si équipé)**
Toutes les 25 heures ou 1 fois l'an
Changez l'huile du moteur
Remplacer le filtre à huile (si équipé)
Tous les ans
Remplacer le filtre à air
Remplacer le préfiltre (le cas échéant)
Voir le concessionnaire tous les ans pour
Inspecter le silencieux et le pare-étincelles (si équipé)
Remplacer la bougie d'allumage
Changement du filtre à carburant (si équipé)

MOTEUR

Nettoyer le système de refroidissement d'air du moteur

*Indifféremment, ce qui se présente en premier.

Nettoyer plus souvent quand il y a beaucoup de poussière ou des débris emportés par le vent.

Changement de l'huile à moteur



AVERTISSEMENT

Risque d'amputation

- NE PAS effectuer d'entretien, réglage ou réparation avec le moteur et la lame en marche.
- ARRÊTER le moteur et la lame.
- Débrancher le câble de la bougie d'allumage et le sécuriser loin de la bougie.

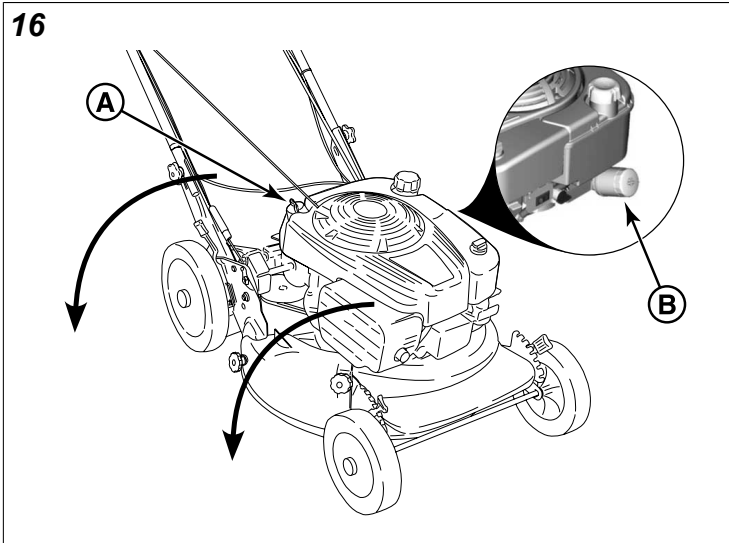
Risque de brûlure

- Le moteur et ses pièces sont CHAUDS.
- Pour éviter les brûlures graves, laisser refroidir toutes les pièces suffisamment longtemps.

Risque de lacération

- Porter des gants de cuir épais pour manipuler ou travailler autour de lames de coupe.
- Les lames sont extrêmement tranchantes et peuvent causer de graves blessures.

1. Drainer complètement le réservoir d'essence.
2. Déposer le bouchon-jauge (A, Figure 16), puis tourner la tondeuse sur son côté. Laisser l'huile drainer du tube de remplissage d'huile dans un contenant approprié. Jeter l'huile usée selon les réglementations.
3. Remettre la tondeuse debout, puis remplir le moteur d'huile moteur jusqu'à la marque « plein » sur la jauge d'huile. Se reporter à la section « Recommandations relatives à l'huile ». Ne pas trop remplir.



AVIS

Vider le réservoir d'essence avant de basculer la machine. NE PAS basculer la machine du côté du carburateur ou de la bougie. Cela saturerait le filtre à air d'huile issue du carter, ce qui provoquerait d'importants problèmes de démarrage. Si cela se produit, le filtre à air souillé doit être changé.

Changer le filtre à huile

(si équipé)

1. Drainer l'huile du moteur. Consulter **Changement de l'huile à moteur**.
2. Enlevez le filtre usagé (B, Figure 16) et en disposer de façon adéquate.
3. Avant l'installation du nouveau filtre à huile, lubrifier légèrement le joint d'étanchéité du filtre à l'huile avec de l'huile fraîche et propre.
4. Installer le filtre à huile à la main jusqu'à ce que le joint d'étanchéité touche l'adaptateur de filtre à huile, puis serrer le filtre à huile de 1/2 à 3/4 de tour.
5. Ajouter de l'huile. Consulter **Changement de l'huile à moteur**.
6. Démarrer et faire fonctionner le moteur. Vérifier s'il y a des fuites d'huile pendant que le moteur se réchauffe.
7. Arrêter le moteur et vérifier le niveau d'huile. Il devrait atteindre le haut de la marque « plein » sur la jauge d'huile.

Entretien du filtre à air



AVERTISSEMENT

Risque d'incendie

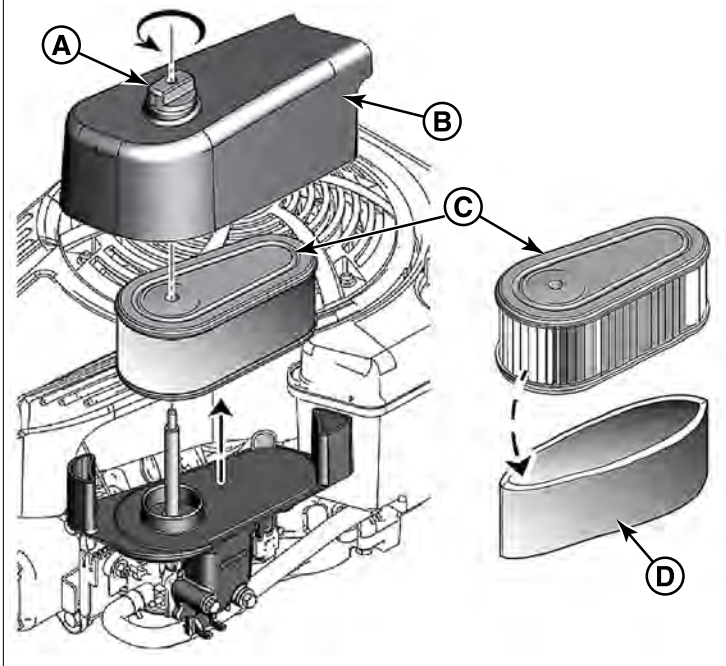
Ne jamais démarrer ou faire fonctionner le moteur lorsque l'ensemble filtre à air (si équipé) ou le filtre à air (si équipé) est enlevé.

AVIS

N'utilisez pas d'air comprimé ou de solvants pour nettoyer le filtre. L'air comprimé peut endommager le filtre et les solvants peuvent le dissoudre.

1. Retirer l'attache (A, Figure 17) et enlevez le couvercle du filtre à air (B).
2. Enlever le dépoussiéreur (C) et le filtre (D).
3. Pour faire tomber les débris, tapoter doucement le filtre sur une surface dure. Si le filtre est excessivement colmaté, remplacez-le par un neuf.
4. Lavez le préfiltre au détergent liquide et à l'eau. Le laisser ensuite sécher complètement à l'air. Ne pas huiler le pré-dépoussiéreur.
5. Assembler le dépoussiéreur sec au filtre.
6. Installer le filtre et le dépoussiéreur dans la base (E). S'assurer que le filtre est bien fixé dans la base.
7. Installer le couvercle du filtre à air et fixer avec l'attache. S'assurer que la fixation est solide.

17



Entretien du filtre à air

Consultez la figure : 18, 19



AVERTISSEMENT



Le carburant et ses vapeurs sont extrêmement inflammables et explosifs.

Un incendie ou une explosion peut provoquer des brûlures graves voire la mort.

- Ne démarrez jamais le moteur lorsque l'assemblage de filtre à air, si équipé, ou le filtre à air, si équipé, est retiré.

AVIS N'utilisez pas d'air comprimé ou de solvants pour nettoyer le filtre. L'air comprimé peut endommager le filtre et les solvants peuvent le dissoudre.

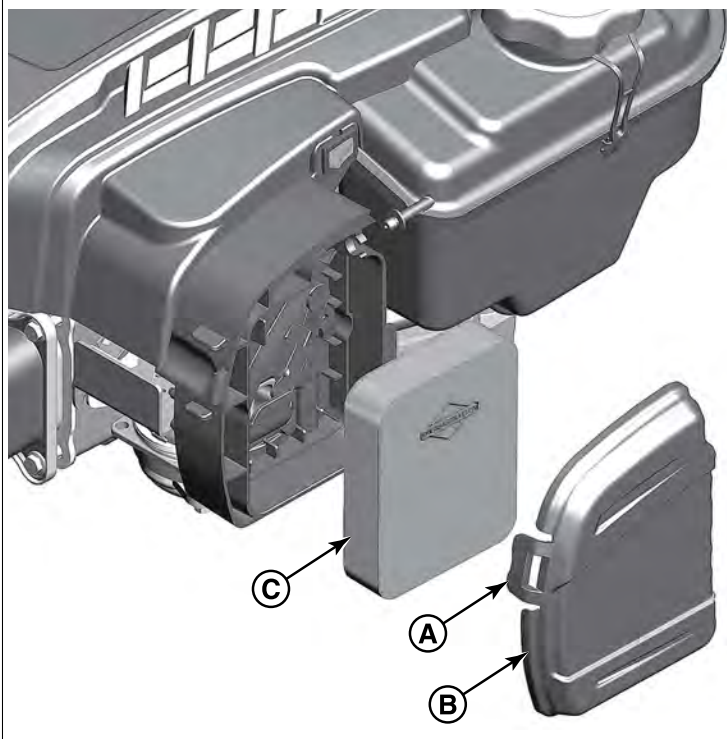
Consultez le **Calendrier d'entretien** pour les exigences d'entretien.

Différents modèles utilisent : les uns, un filtre de mousse, les autres un filtre de papier. Certains modèles peuvent également avoir un préfiltre optionnel qui peut être lavé et réutilisé. Comparer les illustrations du présent manuel avec le type installé sur votre moteur et faire la maintenance correspondante.

Filtre à air en mousse

1. Ouvrir les attaches (A, figure 18).

18

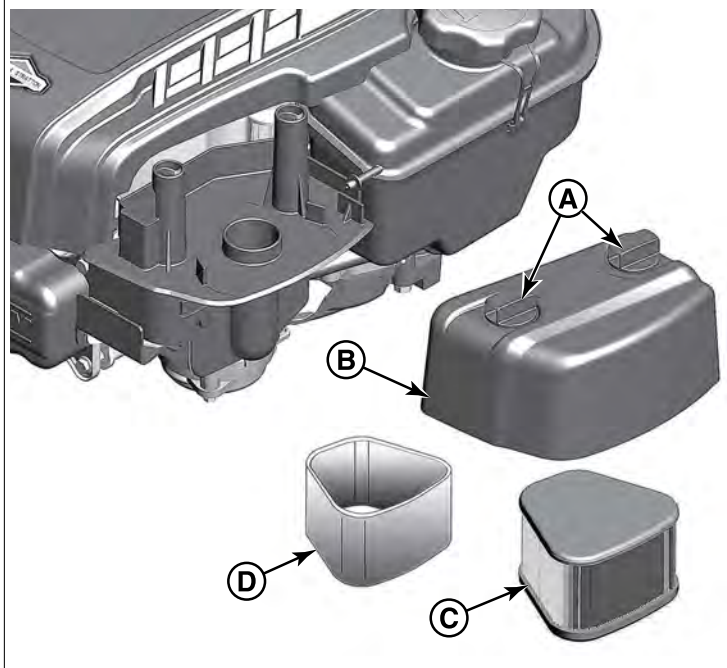


2. Enlever le couvercle (B, figure 18).
3. Prendre garde de ne pas laisser tomber de débris dans le carburateur en déposant l'élément filtre de mousse (C, figure 18) de sa base.
4. Nettoyer l'élément de mousse (C, figure 18) avec un détergent liquide et de l'eau. Presser l'élément de mousse dans un linge propre pour l'assécher.
5. Saturer l'élément de mousse (C, figure 18) avec de l'huile à moteur propre. Pour retirer l'excès d'huile, presser l'élément de mousse dans un linge propre.
6. Réinstaller l'élément de mousse (C, figure 18) sur la base du filtre à air.
7. Installez le couvercle (B, figure 18) et fixez-le avec les attaches (A).

Filtre à air de papier

1. Desserrer les attaches (A, Figure 19).

19



2. Ouvrir le couvercle (B, Figure 19).
3. Prendre garde de ne pas laisser tomber de débris dans le carburateur en déposant le préfiltre (D, Figure 19) et le filtre (C) en le retirant de sa base (les déposer avec soin).
4. Retirer le préfiltre (D, Figure 19), le cas échéant, du filtre (C).
5. Pour faire tomber les débris, tapoter doucement le filtre (C, Figure 19) sur une surface dure. Si le filtre est excessivement colmaté, le remplacer par un neuf.
6. Laver le préfiltre (D, Figure 19), le cas échéant, au détergent liquide et à l'eau. Laisser le dépoussiéreur sécher à l'air complètement. **Ne pas** lubrifier le dépoussiéreur.
7. Assembler le préfiltre sec (D, Figure 19), le cas échéant au filtre (C).
8. Installer l'élément en mousse (C, Figure 19) et le préfiltre (D) dans la base du filtre à air. S'assurer que le filtre est bien ajusté et maintenu en place dans la base du filtre à air.
9. Reposer le couvercle (B, Figure 19), et fixer à l'aide des attaches (A). Assurez-vous que les fixations sont vissées solidement.

Vérifier le système de verrouillage de sécurité

1. Démarrer la tondeuse.
2. Relâcher la commande de lame. Le moteur doit arrêter en dedans de 3 secondes.

AVERTISSEMENT

Risque de fonctionnement non sécuritaire

Si le moteur n'arrête pas en dedans de 3 secondes, ne pas utiliser la tondeuse. Apporter la tondeuse chez un concessionnaire autorisé pour l'entretien.

Nettoyer les débris de la tondeuse

AVERTISSEMENT



Risque d'amputation

- NE PAS effectuer d'entretien, de réglage ou de réparation avec le moteur et la lame en marche.
- ARRÊTER le moteur et la lame.
- Débrancher le câble de la bougie d'allumage et le sécuriser loin de la bougie.

Risque de brûlure

- Le moteur et ses pièces sont CHAUDS.
- Pour éviter les brûlures graves, laisser refroidir toutes les pièces suffisamment longtemps.

Risque de lacération

- Porter des gants de cuir épais pour manipuler ou travailler autour de lames de coupe.
- Les lames sont extrêmement tranchantes et peuvent causer de graves blessures.

1. Enlever la saleté et les débris du dessus du châssis de la tondeuse.
2. Enlever toute accumulation de débris sur ou autour du moteur, etc.

En nettoyant, vérifier l'usure ou les dommages aux composants. Remplacer immédiatement les composants usés ou endommagés.

Procédure de remisage

AVERTISSEMENT



Risque d'amputation

- NE PAS effectuer d'entretien, de réglage ou de réparation avec le moteur et la lame en marche.
- ARRÊTER le moteur et la lame.
- Retirer la batterie (si équipé).

Risque de brûlure

- Le moteur et ses pièces sont CHAUDS.
- Pour éviter les brûlures graves, laisser refroidir toutes les pièces suffisamment longtemps.

Risque de lacération

- Porter des gants de cuir épais pour manipuler ou travailler autour de lames de coupe.
- Les lames sont extrêmement tranchantes et peuvent causer de graves blessures.

Préparer la tondeuse pour le remisage de « fin de saison » comme suit :

1. Débrancher le câble de la bougie d'allumage et le sécuriser loin de la bougie d'allumage.
2. Vider le réservoir de carburant et laisser le moteur tourner jusqu'à vider complètement le carburateur.

Remarque : Si un stabilisateur de carburant est utilisé, il est inutile de vidanger le réservoir de carburant.

Voir **Entreposage – Système de carburant**.

3. Utiliser une brosse ou de l'air comprimé pour enlever les débris, puis utiliser un linge humide pour essuyer l'unité.
4. Basculer la tondeuse sur ses roues arrière et inspecter le dessous du châssis. (Ne pas incliner la tondeuse avec la bougie d'allumage ou le carburateur vers le bas.) Gratter toute accumulation tenace d'herbe avec un couteau à mastic et/ou une brosse métallique.
5. Lubrifier tout métal visible avec une légère couche d'huile pour éviter la corrosion.
6. Replier le guidon avec précaution, en fléchissant les câbles de commande pour éviter de les endommager.
7. Remiser la tondeuse dans une remise ou autre endroit sec protégé des intempéries.

AVIS Ne pas mettre l'appareil sur le côté.

Entreposage – Système de carburant

Le carburant peut s'évaporer lorsqu'il est conservé dans un réservoir de stockage pendant plus de 30 jours. Chaque fois que vous remplissez le réservoir de carburant, ajoutez un STA-BIL 360[®] PROTECTION™ au carburant tel qu'indiqué dans les directives du fabricant. Ceci maintient la fraîcheur du carburant et réduit les problèmes liés au carburant ou à la contamination dans le système de carburant.

Il n'est pas nécessaire de vidanger le carburant du moteur lorsqu'on ajoute du STA-BIL 360[®] PROTECTION™ selon les directives. Avant l'entreposage, laisser le moteur sur MARCHE pendant deux minutes pour faire circuler le carburant et le stabilisateur dans le système.

Service



AVERTISSEMENT



Risque d'amputation

- NE PAS effectuer d'entretien, de réglage ou de réparation avec le moteur et la lame en marche.
- ARRÊTER le moteur et la lame.
- Débrancher le câble de la bougie d'allumage et le sécuriser loin de la bougie.

Risque de brûlure

- Le moteur et ses pièces sont CHAUDS.
- Pour éviter les brûlures graves, laisser refroidir toutes les pièces suffisamment longtemps.

Risque de lacération

- Porter des gants de cuir épais pour manipuler ou travailler autour de lames de coupe.
- Les lames sont extrêmement tranchantes et peuvent causer de graves blessures.

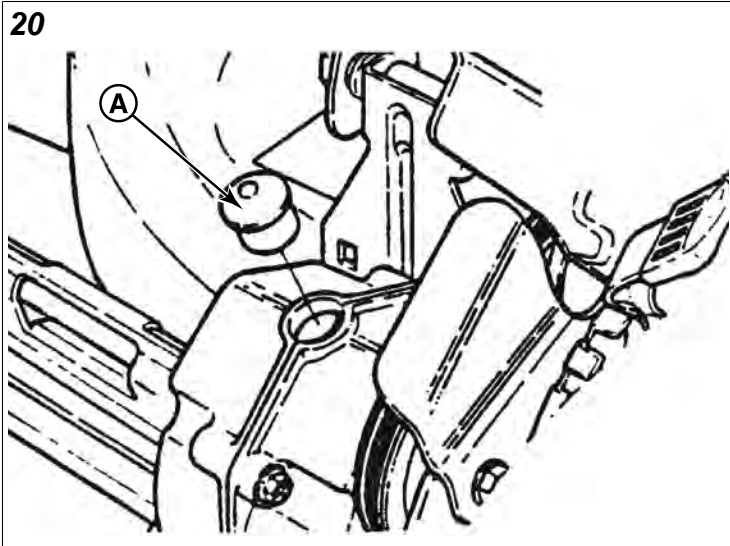
Vérifier le niveau de graisse dans la transmission

1. Enlever le bouchon de remplissage de la transmission (A, Figure 20). Rouler la tondeuse vers l'avant et l'arrière tout en regardant dans l'orifice du bouchon.
2. Si de la graisse liquide n'est pas visible sur la roue d'entrée (la petite roue sous l'orifice du bouchon), ajouter une quantité, pour couvrir la roue de graisse Napper « 00 ».

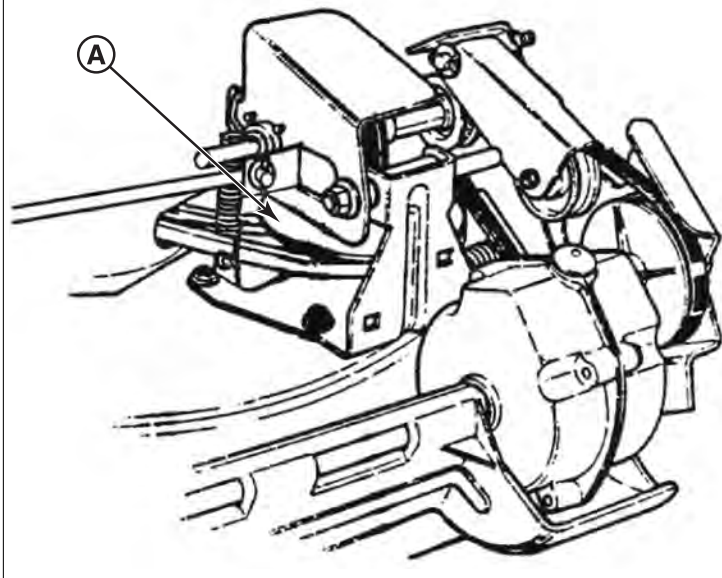
Remarque : La graisse Napper « 00 » (N° de pièce 7029443) est disponible chez votre concessionnaire.

Remarque : Ne pas renverser de graisse ou d'huile sur la surface du disque d'entraînement (A, Figure 21).

3. Réinstaller le bouchon de transmission.
4. Vérifier le niveau de graisse après 25 heures d'utilisation.



21



Vérifier la lame de coupe

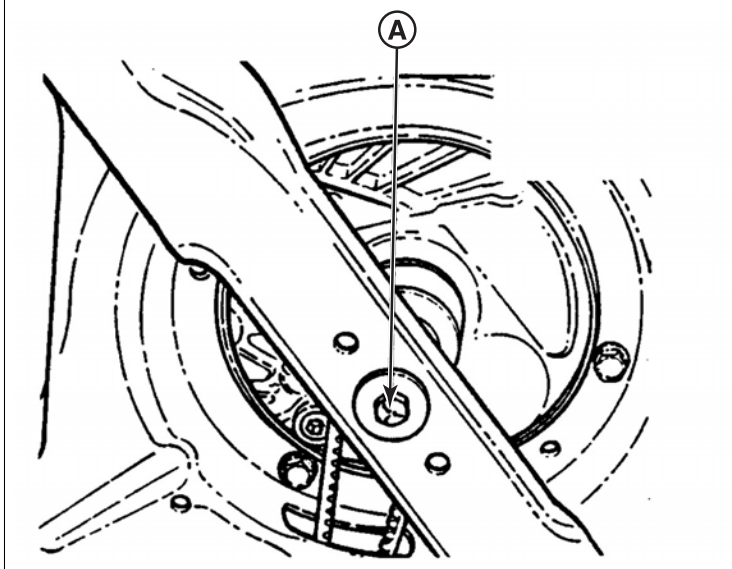
1. Débrancher le fil de la bougie et attacher son extrémité loin de la bougie.
2. Basculer la tondeuse sur ses roues arrière pour accéder au capuchon vis de la lame (A, Figure 22). Ne pas basculer la tondeuse du côté de la bougie ou du carburateur).

AVIS

Vider le réservoir d'essence avant de basculer la tondeuse. NE PAS basculer la tondeuse du côté du carburateur ou de la bougie. Cela saturerait le filtre à air d'huile issue du carter, ce qui provoquerait d'importants problèmes de démarrage. Si cela se produit, le filtre à air souillé doit être changé.

3. Vérifier le serrage du capuchon vis de la lame. Couple recommandé : 40 pi-lb (54 Nm).
4. Vérifier l'affûtage, l'état d'usure et l'absence de dommage de la lame. Consultez **Limites d'usure de la lame**.

22



Vérifier la courroie d'entraînement du moteur

- Vérifier visuellement si la courroie d'entraînement du moteur est fissurée, effilochée, coupée ou dénudée. En cas d'usure ou de dommages, changer la courroie avant d'utiliser la tondeuse.

Vérifier de la courroie de transmission

- Vérifier visuellement si la courroie Poly-V est fissurée, effilochée, coupée ou dénudée. En cas d'usure ou de dommages, changer la courroie avant d'utiliser la tondeuse.

Remplacement de la lame de coupe



Risque d' amputation

- NE PAS effectuer d'entretien, réglage ou réparation avec le moteur et la lame en marche.
- ARRÊTER le moteur et la lame.
- Débrancher le câble de la bougie d'allumage et le sécuriser loin de la bougie.

Risque de brûlure

- Le moteur et ses pièces sont CHAUDS.
- Pour éviter les brûlures graves, laisser refroidir toutes les pièces suffisamment longtemps.

Risque de lacération

- Porter des gants de cuir épais pour manipuler ou travailler autour de lames de coupe.
- Les lames sont extrêmement tranchantes et peuvent causer de graves blessures.



Risque de fonctionnement non sécuritaire

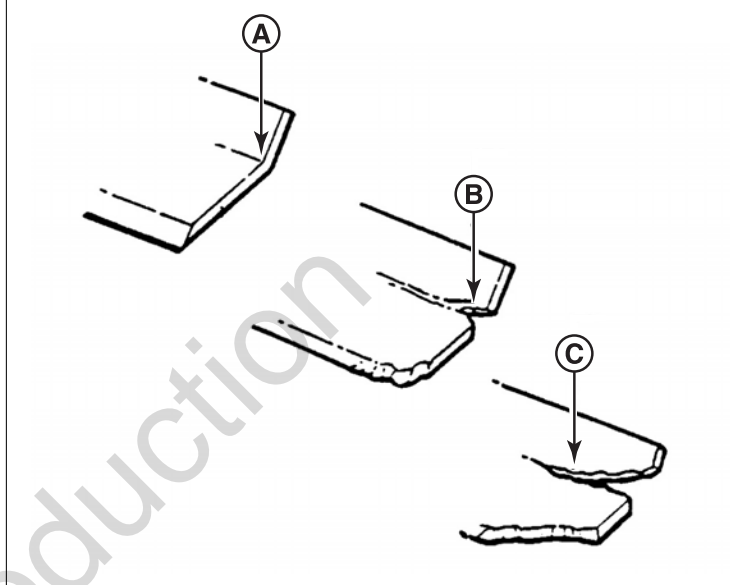
NE PAS utiliser une lame de coupe qui présente des signes d'usure ou de dommages excessifs.

Limite d'usure de la lame standard

1. Inspecter la lame (Figure 23) pour voir si elle est excessivement usée ou endommagée :

- (A) Lame neuve
- (B) Limite d'usure (début d'encoche)
- (C) Condition dangereuse! Ne pas utiliser sur la tondeuse! Remplacer par une lame neuve.

23

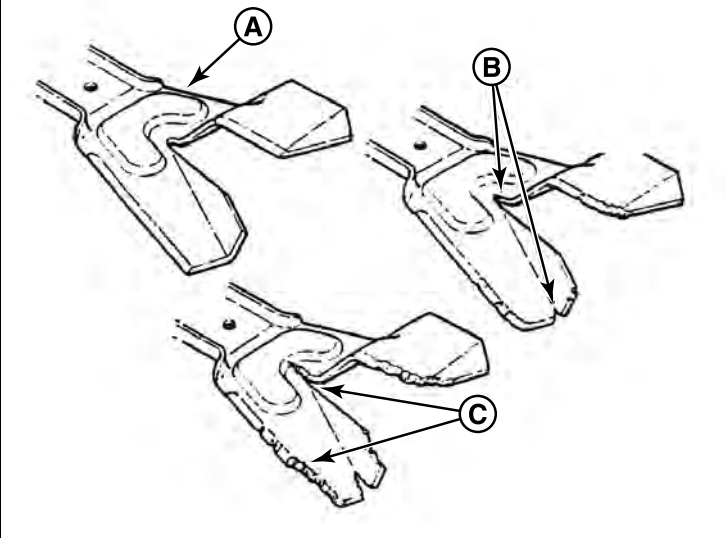


Limite d'usure de la lame Ninja

1. Inspecter la lame (Figure 24) contrôler fréquemment pour voir si la lame est excessivement usée ou endommagée :

- (A) Lame neuve
- (B) Limite d'usure (des fissures ou des encoches commencent à apparaître sur le bout)
- (C) Condition dangereuse! Ne pas utiliser sur la tondeuse! Remplacer par une lame neuve.

24



Affûtage de la lame

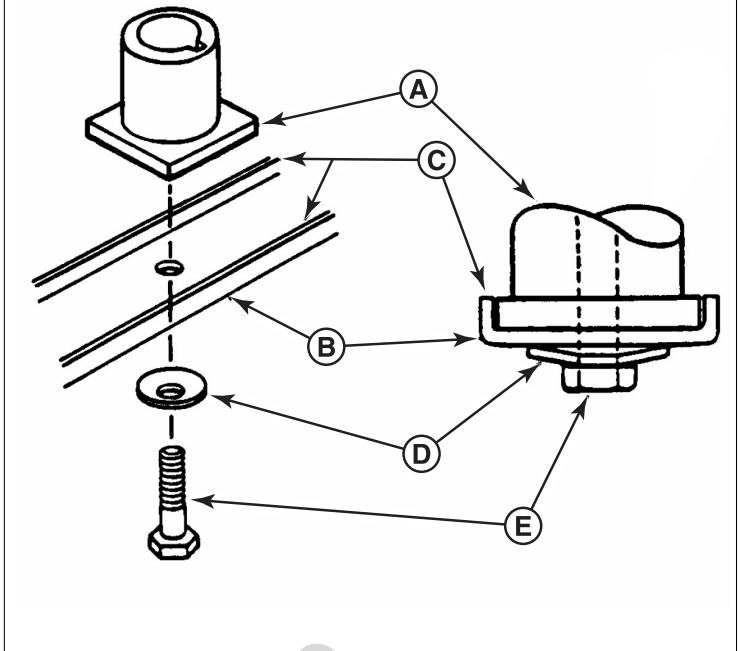
1. Débrancher le câble de la bougie et attacher son extrémité loin de la bougie.
2. Basculer la tondeuse sur ses roues arrière. Ne pas basculer la tondeuse du côté de la bougie ou du carburateur.

AVIS

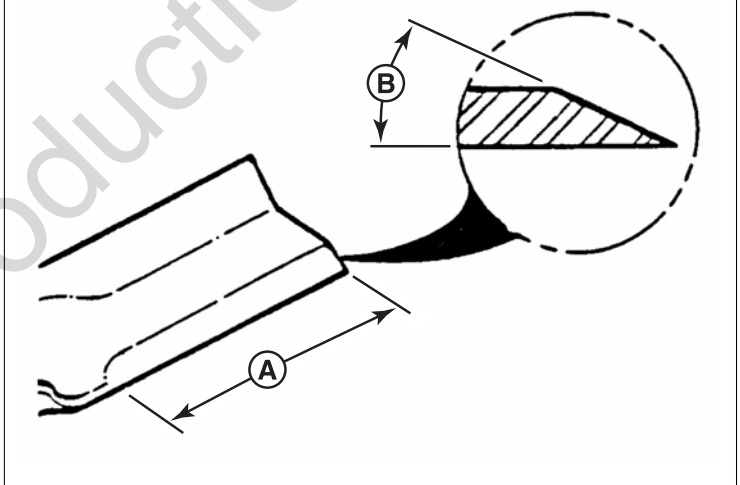
Vider le réservoir d'essence avant de basculer la tondeuse. NE PAS faire basculer la tondeuse du côté du carburateur ou de la bougie. Cela saturerait le filtre à air d'huile issue du carter, ce qui provoquerait d'importants problèmes de démarrage. Si cela se produit, le filtre à air souillé doit être changé.

3. Enlever la lame (B, Figure 25).
4. Affûter la lame sur une meule à un angle de 22 à 28 degrés (B, Figure 22 (B, Figure 26) NE PAS affûter la lame au-delà de son tranchant d'origine (A).
5. Vérifier l'équilibrage de la lame. Le cas échéant, corriger l'équilibrage de la lame par meulage du côté lourd.
6. Réinstaller la lame (B, Figure 25) Noter l'ordre d'assemblage correct :
 - (A) Moyeu de lame
 - (B) Lame
 - (C) Bride de lame (vers le haut)
 - (D) Rondelle conique (face concave vers le haut)
 - (E) Capuchon vis
7. Vérifier le serrage du capuchon vis de retenue de la lame. Serrage recommandé : 40 lb-pi (54 Nm).

25



26



Réglage de la commande de roues motrices



AVERTISSEMENT



Risque d'amputation

- NE PAS effectuer d'entretien, réglage ou réparation avec le moteur et la lame en marche.
- ARRÊTER le moteur et la lame.
- Débrancher le câble de la bougie d'allumage et le sécuriser loin de la bougie.

Risque de brûlure

- Le moteur et ses pièces sont CHAUDS.
- Pour éviter les brûlures graves, laisser refroidir toutes les pièces suffisamment longtemps.

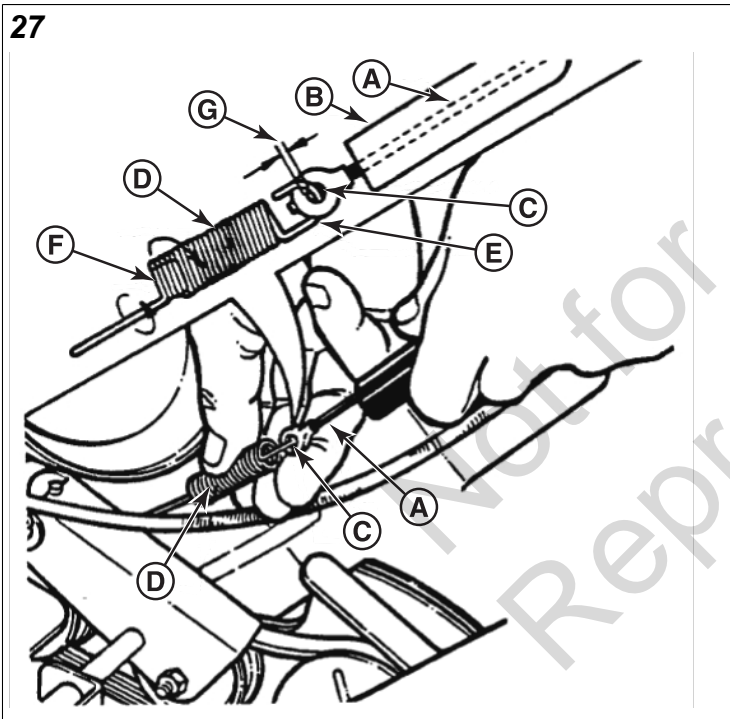
1. Le réglage de la commande des roues motrices correctement lorsqu'il y a 1/16 po à 1/8 po (1,6 à 3,2 mm) de dégagement (G, Figure 27) entre l'intérieur du

mousqueton (E) et l'intérieur de la cosse de la pédale de débrayage (C) avec la commande de roues motrices desserrée.

2. Pour ajuster, décrocher le ressort supérieur (D) de la cosse et tourner le ressort dans la direction requise pour étendre ou raccourcir la longueur du ressort.
3. Raccrocher le ressort supérieur à la cosse et vérifier le dégagement. Répéter la procédure si requis.

Remarque : Le couvert en vinyle du ressort (B) devrait être sur le ressort en tout temps sauf pour les réglages.

4. Si la commande de roues motrices ne retourne pas rapidement à la position < OFF > lorsque relâchée, vérifier les fixations au niveau des retenues de câble sur le côté du guidon droit. L'attache supérieure devrait être située 2 po (5 cm) en dessous du bouton supérieur; l'attache inférieure devrait être 4 po (10 cm) au-dessus du bouton inférieur. Le câble devrait glisser librement avec les attaches installées à ces endroits.



Service du disque entraîné et d'entraînement



AVERTISSEMENT

Risque d'amputation

- NE PAS effectuer d'entretien, réglage ou réparation avec le moteur et la lame en marche.
- ARRÊTER le moteur et la lame.
- Débrancher le câble de la bougie d'allumage et le sécuriser loin de la bougie.

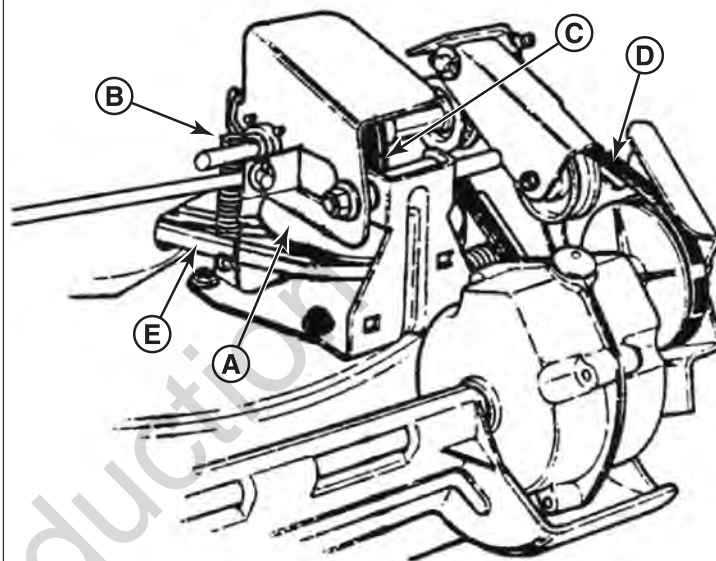
Risque de brûlure

- Le moteur et ses pièces sont CHAUDS.
- Pour éviter les brûlures graves, laisser refroidir toutes les pièces suffisamment longtemps.

Si la tondeuse ne se propulse pas correctement, vérifier les problèmes suivants :

1. Graisser sur le disque d'entraînement (A, Figure 28) qui cause un glissement.
2. Ressort d'entraînement brisé ou décroché (B).
3. Disque entraîné (C) désajusté.
4. Caoutchouc du disque entraîné usé - n'entre pas en contact avec le disque d'entraînement correctement.
5. Courroie Poly-V usée (D) ou courroie d'entraînement du moteur usée (E).

28



Si un des items mentionnés ci-dessus (1 à 5) cause des problèmes, réparer comme suit :

Nettoyage du disque d'entraînement et du disque entraîné

Si de l'huile ou de la graisse sur le disque d'entraînement ou le disque entraîné cause un glissement, nettoyer les disques comme suit :

1. Essuyer toute huile ou graisse avec un linge propre.
2. Utiliser un solvant de graisse approuvé ou de l'eau chaude savonneuse pour nettoyer le disque d'entraînement ou le disque entraîné.
3. Rincer les composants avec de l'eau propre.
4. Sécher les composants avec un linge propre.

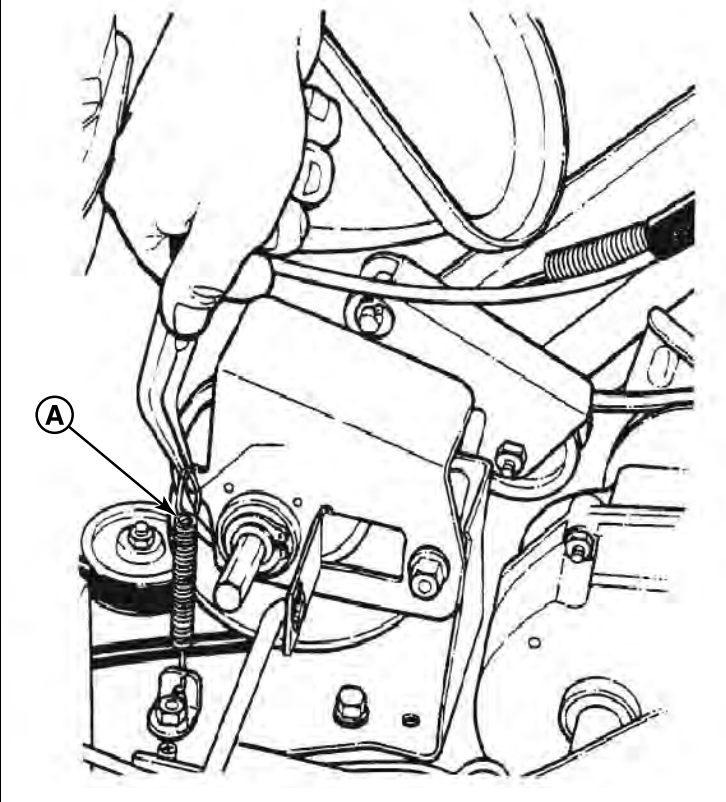
Réparation et remplacement du ressort d'entraînement

Si le ressort d'entraînement (A, Figure 29) est décroché, le raccrocher. Si le ressort est brisé, le remplacer par un nouveau ressort.

Remarque : Utiliser une paire de pince à becs pointus pour installer le ressort d'entraînement.

Si le système d'entraînement continue de glisser, consulter **Dépannage**.

29

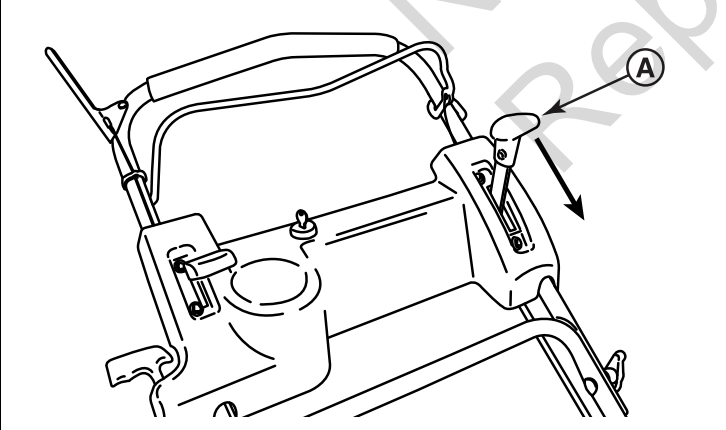


Réglage du disque entraîné

Si le disque d'entraînement et le disque entraîné sont propres et l'entraînement de la tondeuse glisse encore, régler le disque entraîné comme suit :

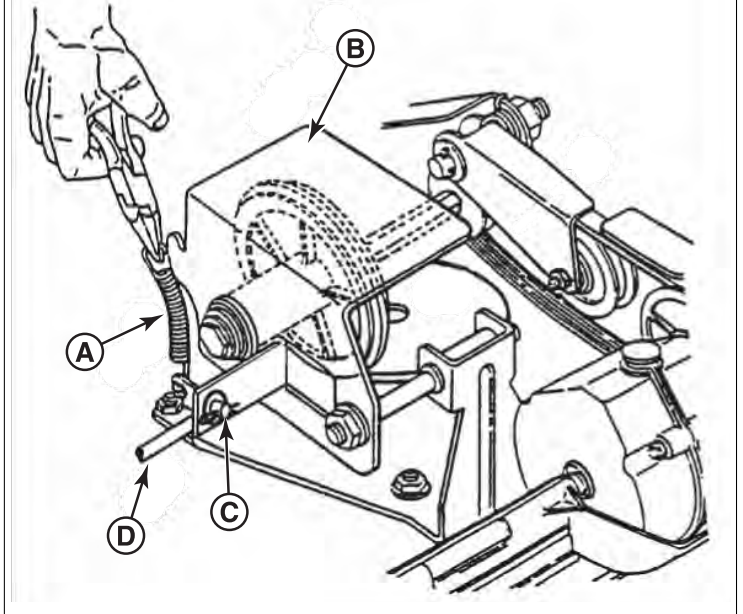
1. Ajustez la commande de vitesse d'avancement (A, Figure 30) à la position RAPIDE.

30



2. Enlever le ressort du disque entraîné (A, Figure 31) de l'ensemble disque entraîné (B). Enlever aussi la goupille et la rondelle (C) de la tige de transfert (D), et enlever l'extrémité de la tige de transfert de l'orifice dans l'ensemble du disque entraîné.

31

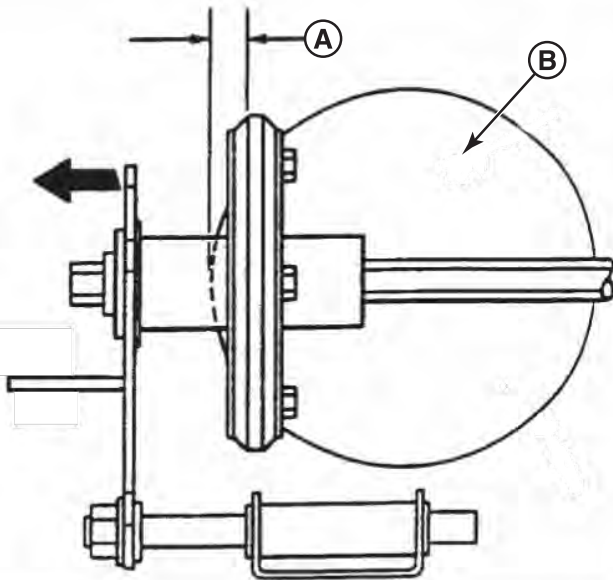


3. Glisser l'ensemble du disque entraîné jusqu'à 1/8 po (3,2 mm) (A, Figure 32) du bord extérieur du disque d'entraînement (B).
4. Desserrer le contre-écrou (voir Figure. 33) qui retient la tige de transfert (B) au joint à rotule (C) sur le bras de pivot (D).
5. Tourner la tige dans ou hors du joint de rotule jusqu'à ce que l'extrémité de la tige s'aligne avec l'orifice (E) dans l'ensemble disque entraîné duquel la tige a enlevée.

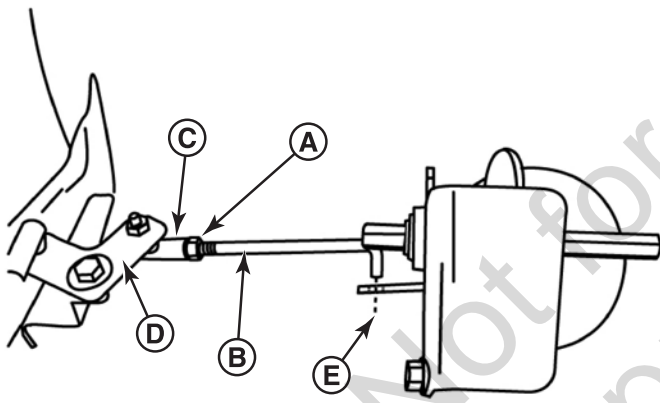
Remarque : Ne pas bouger le bras de pivot.

6. Réinstaller la tige comme enlevée dans l'Étape 2. Déplacer la commande de vitesse d'avance à la position < lent >, puis de retour à la position RAPIDE. Revérifier la mesure de 1/8 po (3,2 mm) décrite auparavant. Réajuster au besoin. Serrer l'écrou lorsque terminé.
7. Réinstaller le ressort du disque entraîné à l'ensemble disque entraîné.

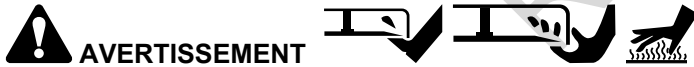
32



33



Remplacement du disque entraîné



AVERTISSEMENT

Risque d'amputation

- NE PAS effectuer d'entretien, réglage ou réparation avec le moteur et la lame en marche.
- ARRÊTER le moteur et la lame.
- Débrancher le câble de la bougie d'allumage et le sécuriser loin de la bougie.

Risque de brûlure

- Le moteur et ses pièces sont CHAUDS.
- Pour éviter les brûlures graves, laisser refroidir toutes les pièces suffisamment longtemps.

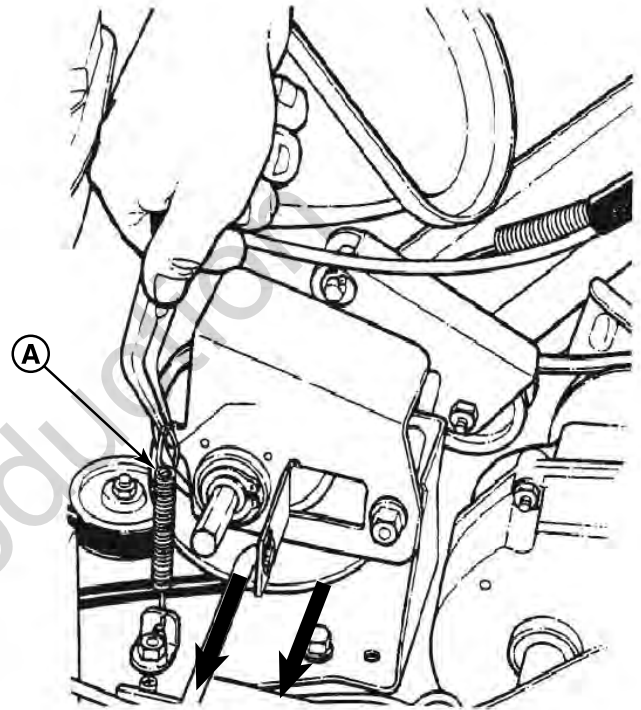
Si le caoutchouc sur le disque entraîné est très brisé ou usé, il doit être remplacé. Installer un nouveau disque entraîné comme suit :

1. Retirer la tige et la rondelle (C, Figure 31) Enlever aussi la goupille et la rondelle (C) de la tige de transfert (D), et

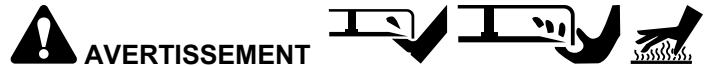
enlever l'extrémité de la tige de transfert de l'orifice dans l'ensemble disque entraîné.

2. En utilisant des pinces à becs fins, décrocher le ressort d'entraînement (A, Figure 34) et faire glisser l'ensemble du disque entraîné hors de l'arbre hexagonal.
3. Enlever les deux bagues à ressort (A, Figure 35) qui retiennent le disque entraîné en caoutchouc (B) à l'ensemble du disque entraîné.
4. Installer un nouveau disque entraîné en caoutchouc sur l'ensemble du disque entraîné et fixer avec les anneaux de retenue.
5. Inverser les procédures ci-dessus pour le réassemblage et l'installation de l'ensemble du disque entraîné.

34



Remplacement du palier du disque entraîné



AVERTISSEMENT

Risque d'amputation

- NE PAS effectuer d'entretien, de réglage ou de réparation avec le moteur et la lame en marche.
- ARRÊTER le moteur et la lame.
- Débrancher le câble de la bougie d'allumage et le sécuriser loin de la bougie.

Risque de brûlure

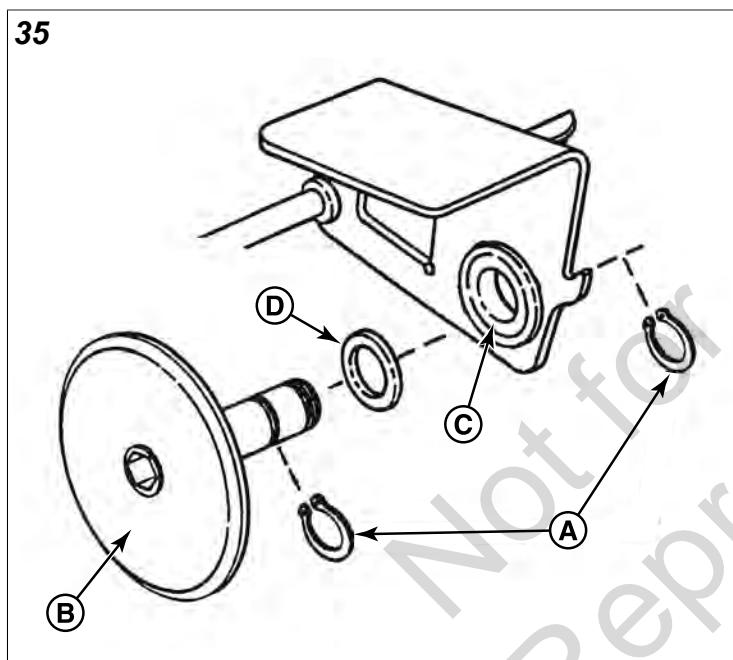
- Le moteur et ses pièces sont CHAUDS.
- Pour éviter les brûlures graves, laisser refroidir toutes les pièces suffisamment longtemps.

Le palier sur ces machines est entré dans le plateau de pression. Le palier devra être enlevé avec un maillet ou un gros poinçon. Un nouveau palier avec quatre vis de retenue devra être acheté pour remplacer le palier existant.

Si le palier du disque entraîné doit être remplacé, remplacer le palier comme suit :

1. Enlever l'ensemble du disque entraîné. Consultez **Remplacement du disque entraîné**.
2. Retirer l'anneau élastique (A, Figure 35) qui retiennent le disque entraîné en caoutchouc (B) au plateau de pression.
3. Glisser le moyeu du disque entraîné en caoutchouc du palier.
4. Enlever le palier existant (C).
5. Installer un nouveau palier et fixer le plateau de pression avec les quatre vis de retenue. Bien serrer les vis.
6. Réassembler les composants dans l'ordre inverse.

Remarque : S'assurer de replacer la rondelle de réglage (D) en réassemblant l'ensemble disque entraîné.



Remplacer le palier sur l'extrémité de la poulie de l'arbre hex



AVERTISSEMENT

Risque d'amputation

- NE PAS effectuer d'entretien, de réglage ou de réparation avec le moteur et la lame en marche.
- ARRÊTER le moteur et la lame.
- Débrancher le câble de la bougie d'allumage et le sécuriser loin de la bougie.

Risque de brûlure

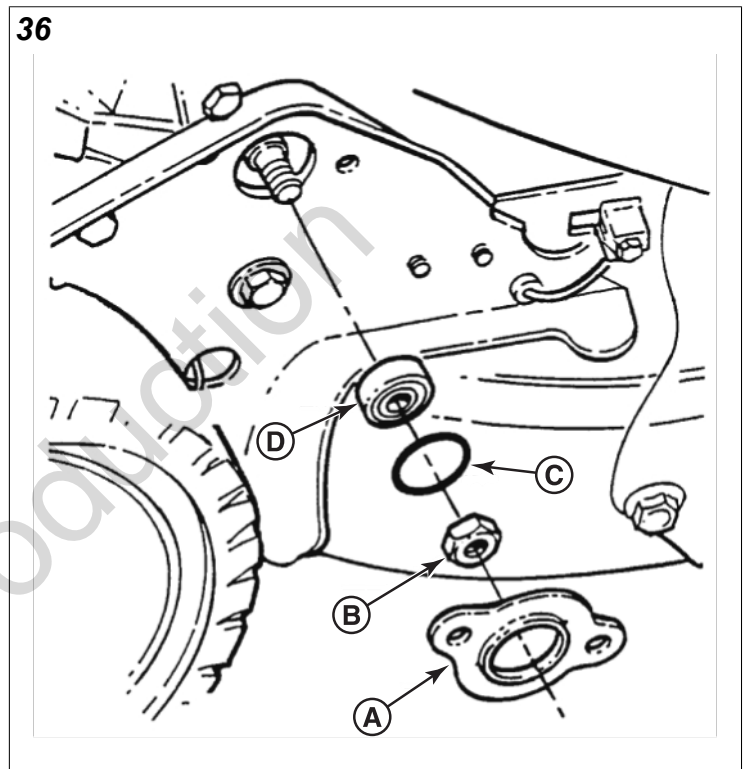
- Le moteur et ses pièces sont CHAUDS.
- Pour éviter les brûlures graves, laisser refroidir toutes les pièces suffisamment longtemps.

Le palier sur ces machines est entré dans le plateau de pression. Le palier devra être enlevé avec un maillet ou un

gros poinçon. Un nouveau palier avec quatre vis de retenue devra être acheté pour remplacer le palier existant.

Remplacer le palier sur l'extrémité de la poulie de l'arbre hex :

1. Tenir l'arbre hex avec une clé ajustable tenue à côté de la poulie.
2. Enlever le contre-écrou hex 3/8 po (B, Figure 36), situé sur l'extérieur du support de roue droite.
3. Enlever la douille (A), le joint torique (C) et le palier (D).
4. Installer le nouveau palier.
5. Installer soigneusement le nouveau joint torique par-dessus l'extérieur du nouveau palier.
6. Installer la douille de palier, et fixer avec des vis.
7. Installer le contre-écrou hex 3/8 po.



Entretien de la courroie



AVERTISSEMENT

Risque d'amputation

- NE PAS effectuer d'entretien, réglage ou réparation avec le moteur et la lame en marche.
- ARRÊTER le moteur et la lame.
- Débrancher le câble de la bougie d'allumage et le sécuriser loin de la bougie.

Risque de brûlure

- Le moteur et ses pièces sont CHAUDS.
- Pour éviter les brûlures graves, laisser refroidir toutes les pièces suffisamment longtemps.

Sur les tondeuses autotractées, la courroie du moteur (A, Figure 37) transmet la puissance de la poulie du moteur (B) au disque d'entraînement (C). Le disque d'entraînement propulse la courroie poly-v, qui embraye la transmission

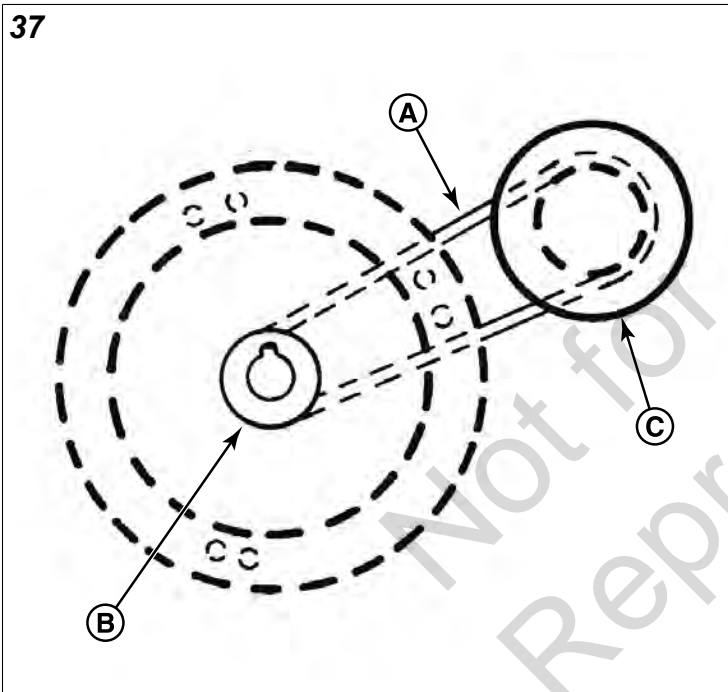
qui propulse les roues arrière. Si ces courroies devenaient usées, elles pourraient causer un glissement, qui altérerait la performance de la tondeuse. L'état de la courroie du moteur et de la courroie poly-v devrait être vérifié toutes les 25 heures d'utilisation de la tondeuse.

Remplacement de la courroie d'entraînement du moteur (Courroies extensibles)

1. Vider le réservoir d'essence.
2. Noter l'acheminement de la courroie (Figure 37) n'y a pas de poulie guide à déconnecter sur ces modèles.

AVIS

Vider le réservoir d'essence avant de basculer la tondeuse. NE PAS basculer la machine du côté du carburateur ou de la bougie. Cela saturerait le filtre à air d'huile issue du carter, ce qui provoquerait d'importants problèmes de démarrage. Si cela se produit, le filtre à air souillé doit être changé.

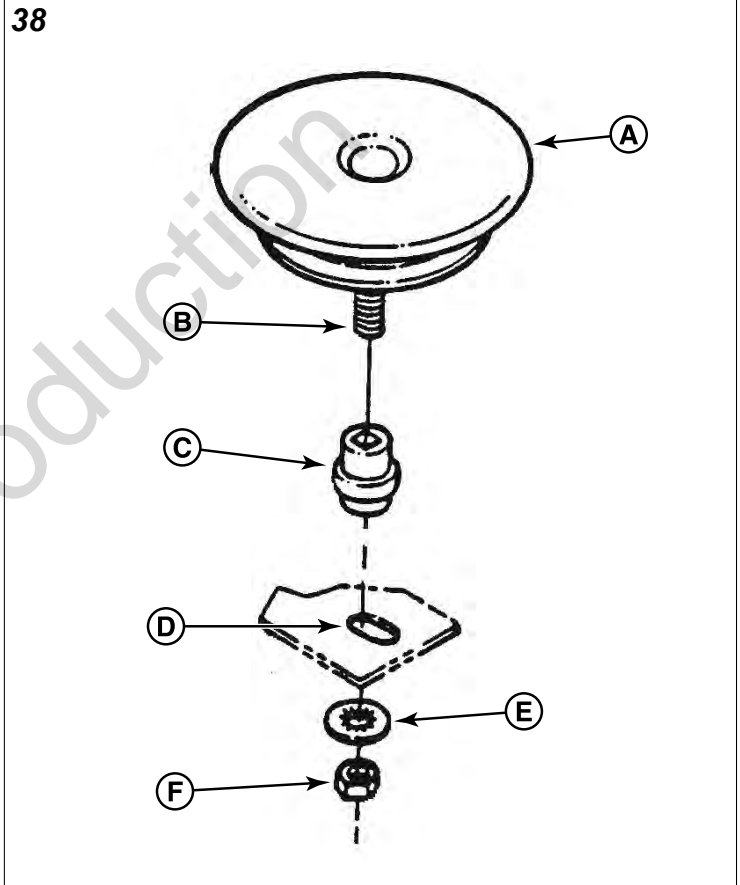


3. Enlever l'ensemble disque entraîné. Consulter **Remplacement du disque entraîné** pour le retrait du disque entraîné pour la procédure.
4. Vider le réservoir d'essence avant de basculer la tondeuse. Ne pas basculer la tondeuse du côté de la bougie ou du carburateur. Basculer la tondeuse sur ses roues arrière et la lame et le moyeu de lame. L'aide d'une autre personne peut être nécessaire pour tenir la tondeuse en position inclinée.
5. Retenir l'extrémité rainurée du boulon du disque d'entraînement (B, Figure 38) avec un tournevis et enlever l'écrou (F) et la rondelle à denture interne (E).
6. Enlever le couvercle de la courroie, situé en dessous du châssis.
7. Soulever le disque d'entraînement (A) vers le haut et enlever la courroie usée.

8. Boucler une extrémité de la nouvelle courroie par-dessus la poulie du moteur et insérer l'autre extrémité à travers la fente dans le châssis.
9. Boucler la courroie autour de la poulie sur le bas du disque d'entraînement.
10. Réinstaller le disque d'entraînement et la quincaillerie de retenue.

Remarque : 1) L'épaulement carré du boulon du disque d'entraînement doit entrer dans l'orifice carré du manchon (C). 2) L'extrémité carrée du manchon doit entrer dans la fente du support (D).

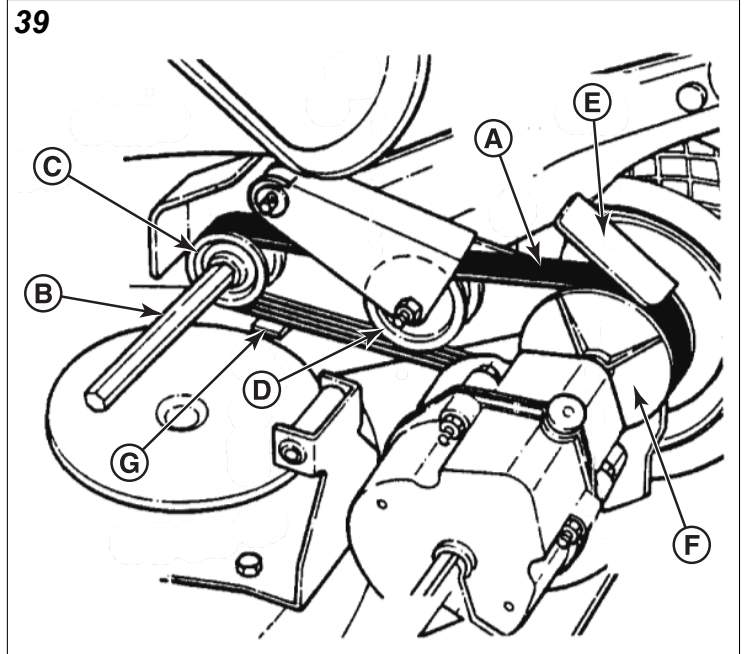
11. Réinstaller le couvercle de la courroie et serrer les boulons fermement.
12. Réinstaller le moyeu de lame et la lame de coupe. Le serrage recommandé pour le capuchon vis de la lame est 40 pi-lb (54 N m).



Remplacement de la courroie Poly-V de transmission

1. Enlever l'ensemble du disque entraîné. Consulter **Remplacement du disque entraîné**.
2. Noter l'acheminement de l'ancienne courroie autour des 3 poulies avant de l'enlever.
3. Placer la nouvelle courroie Poly-V (A, Figure 39) par-dessus l'extrémité de l'arbre hex (B) et par-dessus la poulie d'entraînement (C).
4. Acheminer la courroie sur le dessus de la poulie guide (D).

5. Entortiller la courroie de côté et la tirer vers le haut entre le support du différentiel (E) et la poulie entraînée (F) puis vers le bas dans la rainure de la poulie. S'assurer que la courroie Poly-V est au dessus du guide de la courroie (G).



Not for
Reproduction

Dépannage

Problème	Cause probable	Mesure corrective
Le moteur ne démarre pas avec le lanceur	1. Réservoir d'essence vide.	1. Remplir le réservoir avec de l'essence fraîche.
	2. Bougie débranchée.	2. Brancher le câble de bougie sur la bougie.
Le moteur ne démarre pas (Modèles à démarrage électrique)	1. Réservoir d'essence vide.	1. Remplir le réservoir avec de l'essence fraîche.
	2. Bougie débranchée.	2. Brancher le câble de bougie sur la bougie.
	3. Faisceau de câbles débranché.	3. Brancher le faisceau de câbles.
	4. Batterie déchargée.	4. Recharger ou changer la batterie.
Le moteur cale ou s'arrête après avoir tourné	1. Commande de lame relâchée ou pas tenue fermement contre le guidon.	1. Serrer en permanence la commande de lame fermement contre le guidon durant la marche de la tondeuse.
	2. Réservoir d'essence vide.	2. Remplir d'essence jusqu'au niveau correct.
	3. Dépoussiéreur ou filtre à air du moteur sale.	3. Nettoyer complètement.
	4. Bougie défectueuse ou écartement mal réglé.	4. Réparer la bougie.
	5. Eau, débris ou essence éventée dans le circuit.	5. Vidanger et nettoyer le circuit d'essence.
Perte de puissance du moteur	1. Dépoussiéreur ou filtre à air du moteur dirty. .	1. Nettoyer ou changer les filtres.
	2. Bougie défectueuse.	2. Réparer la bougie.
	3. Eau, débris ou essence éventée dans le circuit. .	3. Vidanger et nettoyer le circuit d'essence.
Vibration excessive	1. Lame de tondeuse endommagée, déséquilibrée ou déformée.	1. Réparer la lame de la tondeuse.
	2. Pièces de lame desserrées.	2. Réparer et serrer les pièces desserrées.
	3. Aileron desserré ou manquant (si équipé).	3. Changer les ailerons. Serrer au couple correct.
	4. Courroie bosselée ou effilochée.	4. Changer la courroie.
La tondeuse n'avancera pas Perte de traction	1. Dépôts de débris sur ou autour des mécanismes d'entraînement des roues.	1. Nettoyez les débris.
	2. Glissement du disque entraîné.	2. Nettoyer ou remplacer le disque entraîné.
	3. La courroie d'entraînement doit être changée.	3. Remplacer courroie d'entraînement.
	4. Transmission endommagée.	4. Contacter un concessionnaire autorisé.
Mauvaise coupe de l'herbe	1. Hauteur de coupe trop haute ou basse.	1. Régler la hauteur de coupe.
	2. Régime moteur trop bas.	2. Déplacer la commande du régime du moteur à la position « Rapide ».
	3. Vitesse d'avance trop rapide.	3. Déplacer la commande de vitesse d'avance à une vitesse plus lente.
	4. Coupe en terrasse, d'un côté à l'autre	4. Régler la hauteur de coupe avec les leviers de réglage de hauteur.
	5. Lancée du châssis excessive, d'avant à arrière.	5. Régler la hauteur de coupe avec les le leviers de réglage de hauteur.
	6. Lame de coupe émoussée ou endommagée.	6. Affûter les tranchants ou changer la lame.
Mauvaise éjection d'herbe	1. Régime du moteur trop élevé.	1. Déplacer la commande du régime du moteur à la position. « Rapide ».
	2. Vitesse d'avance trop rapide.	2. Déplacer la commande de vitesse d'avance à une vitesse plus lente.
	3. L'herbe est mouillée.	3. Tondre quand l'herbe est sèche.
	4. Lame excessivement usée ou endommagée.	4. Réparer la lame de la tondeuse.
	5. Accumulation d'herbe et de débris sous le châssis .	5. Nettoyer le châssis.
	6. Mauvaise lame installée sur la tondeuse.	6. Installer la bonne lame.
	7. Lame mal installée sur la tondeuse.	7. Installer la lame correctement.
Fuite d'huile	1. Fuite du carter moteur.	1. Contacter un concessionnaire autorisé.
	2. Desserrer le bouchon de vidange	2. Vérifier et serrer le bouchon de vidange.
	3. Bouchon de remplissage/jauge d'huile	3. Vérifier que le bouchon-jauge d'huile est correctement en place.

Garanties

Garantie du produit

Énoncé de garantie

GARANTIE LIMITÉE

Briggs & Stratton garantit que, pendant la période de couverture de la garantie précisée ci-dessous, elle réparera ou remplacera, sans frais, toute pièce défectueuse comportant un vice de matériau ou un défaut de fabrication ou les deux. En vertu de la présente garantie, les frais de transport du produit soumis pour réparation ou remplacement sont à la charge de l'acheteur. La présente garantie sera en vigueur et soumise aux périodes et conditions stipulées ci-dessous. Pour obtenir des services en vertu de la garantie, veuillez consulter notre Outil de recherche d'un Service après-vente agréé à www.snapper.com, afin de trouver un distributeur de service après-vente agréé dans votre région.

L'acheteur doit communiquer avec le distributeur de service autorisé et mettre ensuite le produit à disposition du distributeur de service autorisé pour inspection et essai.

Il n'existe aucune autre garantie expresse. Les garanties implicites, incluant les garanties de qualité marchande et d'adaptation à un usage particulier, sont limitées à la période définie dans la garantie citée ci-dessous, ou jusqu'à la limite permise par la loi. La responsabilité pour dommages accessoires ou indirects est exclue dans la mesure où une telle exclusion est permise par la loi. Certains états/provinces ou pays n'autorisent aucune restriction sur la durée d'une garantie implicite, et certains états/provinces ou pays n'autorisent pas l'exclusion ou la limitation des dommages consécutifs ou indirects. Par conséquent, les restrictions et exclusions décrites ci-dessus pourraient ne pas s'appliquer dans votre cas. La présente garantie vous offre des droits juridiques spécifiques et il se peut que vous ayez d'autres droits qui varient d'une juridiction à une autre, ou de pays à pays.**

Période de garantie

Article	Usage par un consommateur	Usage à des fins commerciales
Équipement	36 mois	3 mois
Moteur*	36 mois	3 mois
Batterie (si équipé)	12 mois	12 mois

* Concerne les moteurs Briggs & Stratton® seulement. La couverture de garantie des moteurs qui ne sont pas fabriqués par Briggs & Stratton est fournie par les fabricants de ces moteurs. Les composants antipollution sont couverts par la Déclaration de garantie concernant le contrôle des émissions.

** En Australie – Nos produits sont accompagnés de garanties qui ne peuvent être exclues en vertu de l'Australian Consumer Law. Vous avez droit à un remplacement ou à un remboursement en cas de défaillance majeure et en compensation à toute perte ou tout dommage raisonnablement prévisible. Vous avez également droit à la réparation ou au remplacement des produits s'ils ne sont pas de qualité acceptable et que la défaillance n'équivaut

pas à une défaillance majeure. Pour obtenir le service sous garantie, recherchez le concessionnaire autorisé le plus proche sur notre carte des détaillants sur le site BRIGGSandSTRATTON.COM, appelez le 1300 274 447, ou encore envoyez un courriel ou écrivez une lettre à salesenquires@briggsandstratton.com.au ou Briggs & Stratton Australia Pty Ltd, 1 Moorebank Avenue, NSW, Australie, 2170.

La période de garantie débute à la date d'achat par le premier acheteur au détail ou par le premier utilisateur commercial. « Utilisation grand public » signifie une utilisation domestique personnelle dans une résidence par l'acheteur au détail. « Utilisation à des fins commerciales » signifie toute autre utilisation, y compris à des fins commerciales, générant des revenus ou de location. Une fois que le produit a été utilisé dans un but commercial, il sera considéré comme étant une utilisation commerciale dans le cadre de cette garantie.

Pour assurer une couverture rapide et complète de la garantie, veuillez enregistrer votre produit au www.onlineproductregistration.com.

Veuillez garder le reçu de votre achat. Si vous ne pouvez pas fournir la preuve de l'achat au moment de faire une demande se rapportant à la garantie, la date de fabrication du produit sera utilisée pour déterminer la période de garantie. Il n'est pas nécessaire d'enregistrer les produits Briggs & Stratton afin qu'ils soient couverts par la garantie.

À propos de votre garantie

Les services liés à la garantie sont uniquement disponibles par l'entremise d'un distributeur de service autorisé Snapper. Cette garantie couvre uniquement les défauts de matériel et de fabrication. Elle ne couvre pas les dommages causés par une mauvaise utilisation ou par des abus, un mauvais entretien ou une réparation incorrecte, une usure normale ou l'utilisation de carburant éventé ou non approuvé.

Mauvaise utilisation et abus - L'utilisation prévue et correcte du produit est décrite dans le manuel d'utilisation. L'utilisation du produit de façon autre que celle décrite dans le manuel d'utilisation ou l'utilisation du produit une fois qu'il est endommagé annulera la garantie. Vous ne pourrez vous prévaloir de la garantie si le numéro de série sur le produit a été supprimé ou si le produit a été modifié d'une manière quelconque, ou si le produit présente des preuves d'abus, comme par impact, corrosion par l'eau ou par produits chimiques.

Mauvais entretien ou mauvaise réparation - Ce produit doit être entretenu conformément aux procédures et aux intervalles indiqués dans le manuel d'utilisation, et l'entretien et les réparations doivent être effectués avec des pièces d'origine Briggs & Stratton ou leur équivalent. Les dommages causés par le manque d'entretien ou l'utilisation de pièces n'étant pas d'origine ne sont pas couverts par la garantie.

Usure normale - Comme tout appareil mécanique, le vôtre est sujet à usure même lorsqu'il est entretenu correctement. La présente garantie ne couvre pas les réparations lorsque la durée de vie d'une pièce ou de l'appareil s'est achevée après une utilisation normale. Les articles d'entretien et d'usure, comme les filtres, les courroies, les lames et les plaquettes

de frein (à l'exception des plaquettes de frein du moteur) ne sont pas couverts par la garantie en raison de leur seule usure, à moins qu'ils soient sujets à des vices de matériau ou de fabrication.

Carburant éventé ou non approuvé- Pour fonctionner correctement, cette machine doit être alimentée avec un carburant propre satisfaisant aux critères précisés dans le manuel d'utilisation. Les dommages au moteur ou à l'équipement dus à un carburant éventé ou à l'utilisation de carburants non approuvés (comme les mélanges d'éthanol E15 ou E85) ne sont pas couverts par la garantie.

Exclusions supplémentaires - La présente garantie exclut les dommages résultant d'un accident, d'une utilisation abusive, de modifications, de changements, d'un entretien inadéquat, du gel ou d'une détérioration chimique. Les accessoires non emballés à l'origine avec le produit sont aussi exclus. La garantie ne couvre pas l'équipement utilisé comme alimentation principale à la place de l'alimentation électrique de secteur ou pour les applications de maintien des fonctions vitales. Cette garantie ne comprend pas les appareils ou les moteurs usagés, réusinés, de seconde main ou de démonstration. Cette garantie exclut toute défaillance due à une catastrophe naturelle ou à toute autre force majeure hors du contrôle du fabricant.

80004552 (Rév B)

Garantie d'émissions Briggs & Stratton

Garantie du contrôle des émissions de la Californie, de l'U.S. EPA et de Briggs & Stratton, LLC - Vos droits et obligations en vertu de la garantie
Pour modèles de moteurs Briggs & Stratton avec compléments désignés « F » (N° de représentation de Modèle - Type - Garniture : xxxxxx xxxx Fx)

L'Air Resources Board de la Californie, l'Environmental Protection Agency des États-Unis (U.S. EPA) et Briggs & Stratton (B&S) ont le plaisir d'expliquer la garantie relative au dispositif de contrôle de l'échappement et des émissions de vapeurs de carburant (« émissions ») de votre moteur/équipement 2020-2022. En Californie, les nouveaux équipements qui utilisent des petits moteurs hors route doivent être conçus, construits et équipés de façon à respecter les normes anti-smog rigoureuses de l'État. B&S doit garantir le système de contrôle des émissions de votre moteur/équipement pendant la durée indiquée ci-dessous sous réserve de l'absence d'abus, négligence ou mauvais entretien de ce petit moteur hors route ou de l'équipement entraînant la panne du système de contrôle des émissions.

Votre système de contrôle des émissions peut comprendre des pièces comme le carburateur ou le système d'injection de carburant, le système d'allumage, le convertisseur catalytique, les réservoirs de carburant, les conduites de carburant (pour le carburant liquide et les vapeurs de carburant), les capuchons, les valves, les cartouches, les filtres, les brides et autres composants pertinents. Il peut aussi y avoir des tuyaux, des courroies, des connecteurs et d'autres dispositifs reliés aux émissions.

Dans les situations couvertes, B&S réparera votre moteur ou équipement sans frais, incluant le diagnostic, les pièces et la main-d'œuvre.

Couverture de garantie du fabricant :

Le système de contrôle des émissions et émissions évaporatives sur votre moteur/équipement est accompagné d'une garantie de deux ans. Si une pièce de contrôle des émissions de votre moteur/équipement est défectueuse, il sera réparé ou remplacé par B&S.

Responsabilités du propriétaire dans le cadre de la garantie :

- En tant que propriétaire du moteur/matériel, il vous incombe d'effectuer l'entretien requis indiqué dans le manuel d'utilisation. B&S recommande de conserver tous les reçus en rapport avec l'entretien de votre moteur/équipement; toutefois, B&S ne peut refuser la garantie uniquement parce que vous êtes dans l'impossibilité de produire les reçus ou que vous n'avez pas effectué toutes les étapes de l'entretien prévu.
- Néanmoins, vous devez savoir, en tant que propriétaire de moteur/équipement, que B&S peut refuser le bénéfice de la garantie si votre moteur/équipement, ou une pièce, est défaillant en raison d'abus, de négligence, d'entretien inadéquat ou de modifications non approuvées.
- Dès qu'un problème survient, vous avez la responsabilité de faire examiner votre moteur/équipement à un centre de distribution ou d'entretien B&S. Les réparations couvertes par la garantie seront effectuées dans un délai raisonnable, n'excédant pas 30 jours. Si vous avez une question au sujet de vos droits et responsabilités dans le cadre de la garantie, veuillez communiquer avec un représentant de B&S au 1-800-444-7774 (aux É.-U.) ou BRIGGSandSTRATTON.COM.

Dispositions de la garantie du contrôle d'émissions Briggs & Stratton

Les dispositions qui suivent sont spécifiques à la couverture de garantie du contrôle des émissions. Elles sont un ajout à la garantie de moteur B&S pour les moteurs non régulés, figurant dans le manuel d'utilisation.

1. Pièces d'émissions garanties
La couverture de la présente garantie comprend seulement les pièces énumérées ci-dessous (pièces du système de contrôle d'émissions) dans la mesure que celles-ci étaient présentes sur le moteur B&S et/ou sur le système de carburant fourni par B&S.
 - a. Système de contrôle d'alimentation en carburant
 - Dispositif d'enrichissement pour démarrage à froid (étrangleur à glissement)
 - Carburateur ou système d'injection de carburant
 - Capteur d'oxygène
 - Unité de commande électronique
 - Module de la pompe à carburant

- Conduite de carburant (pour carburant liquide ou vapeurs de carburant), raccords de conduite de carburant, brides
 - Réservoir de carburant, bouchon et attache
 - Cartouche à charbon et ferrure de montage
 - Soupapes de décharge
 - Séparateur liquide/vapeur
- b. Circuit d'entrée d'air
- Filtre à air
 - Collecteur d'admission
 - Conduite de purge et d'évacuation
- c. Système d'allumage
- Bougie(s) d'allumage
 - Système d'allumage à magnéto
- d. Système de catalyseur
- Convertisseur catalytique
 - Collecteur d'échappement
 - Système d'injection d'air ou valeur d'impulsions
- e. Éléments divers utilisés dans les systèmes précédemment mentionnés
- Soupapes et interrupteurs de dépression, de température, de position, à délai critique
 - Connecteurs et ensembles
 - Commandes électroniques

2. Durée de la couverture

La couverture est pour une période de deux ans à partir de la date de livraison à l'acheteur original ou pour la durée indiquée à l'énoncé de garantie du produit ou du moteur selon l'éventualité la plus longue. B&S garantit à l'acheteur original et à chaque acquéreur subséquent, que le moteur est conçu, fabriqué, et équipé de manière à se conformer à toutes les réglementations applicables adoptées par l'Air Resources Board, qu'il est exempt de vices de fabrication et de matériaux qui pourraient causer la défaillance d'une pièce sous garantie, et qu'il est identique à tous égards au moteur décrit dans la demande de certification du fabricant. La période de garantie débute à la date à laquelle le moteur ou l'équipement a été remis à l'acheteur final.

La garantie sur les pièces d'émissions est la suivante :

- Toute pièce couverte par la garantie dont le remplacement n'est pas planifié dans le cadre de l'entretien obligatoire décrit dans le manuel d'utilisation fourni est garantie pendant la période indiquée ci-dessus. Si une telle pièce est défectueuse pendant la période de couverture de la garantie, la pièce sera réparée ou remplacée par B&S sans frais pour le propriétaire. Une telle pièce réparée ou remplacée sous la garantie sera couverte pour la période restante de la garantie.
- Toute pièce couverte par la garantie dont seul l'examen est planifié dans le manuel d'utilisation fourni est garantie pendant la période indiquée ci-dessus. Cette pièce réparée ou remplacée dans

le cadre de la garantie restera garantie pendant la période de garantie restante.

- Toute pièce couverte par la garantie dont le remplacement fait partie de l'entretien obligatoire dans le manuel d'utilisation est garantie pendant la période jusqu'au premier remplacement prévu pour cette pièce. Si la pièce est défectueuse avant le remplacement prévu, la pièce sera réparée ou remplacée par B&S sans frais pour le propriétaire. Une telle pièce réparée ou remplacée au titre de la garantie sera couverte pour la période restante avant le premier remplacement prévu de cette pièce.
 - Les pièces ajoutées ou modifiées ne faisant pas partie d'une exemption par l'Air Resources Board ne doivent pas être utilisées. L'utilisation de toute pièce ajoutée ou modifiée par le propriétaire sera une raison de refus d'une réclamation sous garantie. Le fabricant n'a pas la responsabilité de garantir les défauts des pièces garanties causées par l'utilisation de pièces ajoutées ou modifiées qui ne font pas partie d'une exemption.
3. Couverture indirecte
La couverture s'étend à toute défaillance de l'un des composants du moteur consécutive à la défectuosité d'une des pièces d'émissions garanties encore couverte par la garantie.
4. Réclamations et exclusions de couverture
Les demandes de compensation sous garantie devront être remplies selon les provisions de la Politique de garantie de moteur B&S. La couverture de garantie ne s'applique pas aux défectuosités de pièces de contrôle d'émissions qui ne sont pas des pièces d'origine B&S ou pour raison d'abus, de négligence ou d'entretien inadéquat comme stipulé dans la Politique de garantie de moteur B&S. B&S ne se tiendra pas responsable de la couverture de garantie de pièces de contrôle d'émissions défectueuses en raison d'utilisation de pièce modifiée ou non approuvée.

Rechercher la période de durabilité des émissions et l'indice de pollution atmosphérique sur l'étiquette d'émissions du petit moteur hors route

Les renseignements concernant la période de durabilité des émissions et l'indice de pollution atmosphérique doivent être fournis avec les petits moteurs hors route qui répondent aux normes relatives aux émissions de la California Air Resources Board (CARB). Briggs & Stratton rend cette information disponible aux consommateurs sur les étiquettes des émissions. L'étiquette des émissions du moteur fournit des renseignements sur la certification.

La **période de durabilité des émissions** décrit le nombre d'heures pendant lesquelles le moteur peut fonctionner en respectant les normes relatives aux émissions, en supposant que l'entretien est effectué conformément au Calendrier d'entretien. Les catégories utilisées sont les suivantes :

Modéré :

Les moteurs de 80 cc de cylindrée et moins peuvent fonctionner pendant 50 heures tout en respectant la norme relative aux émissions. Les moteurs de plus de 80 cc de

cylindrée peuvent fonctionner pendant 125 heures tout en respectant la norme relative aux émissions.

Intermédiaire :

Les moteurs de 80 cc de cylindrée et moins peuvent fonctionner pendant 125 heures tout en respectant la norme relative aux émissions. Les moteurs de plus de 80 cc de cylindrée peuvent fonctionner pendant 250 heures tout en respectant la norme relative aux émissions.

Prolongé :

Les moteurs de 80 cc de cylindrée et moins peuvent fonctionner pendant 300 heures tout en respectant la norme relative aux émissions. Les moteurs de plus de 80 cc de cylindrée peuvent fonctionner pendant 500 heures tout en respectant la norme relative aux émissions.

Par exemple, l'utilisation d'une tondeuse poussée est d'environ 20 à 25 heures par année. Donc, la **période de durabilité des émissions** pour un moteur avec un classement **intermédiaire** équivaut de 10 à 12 années.

Les moteurs Briggs & Stratton sont certifiés conformes aux normes de phase 2 ou phase 3 sur les émissions de l'USEPA (United States Environmental Protection Agency). La période de conformité des émissions indiquée sur l'étiquette de conformité des émissions indique le nombre d'heures de fonctionnement pendant lesquelles le moteur a démontré qu'il respectait les exigences fédérales en matière d'émissions.

Pour les moteurs de 80°cc de cylindrée et moins :

Catégorie C = 50 heures, Catégorie B = 125 heures,
Catégorie A = 300 heures

Pour les moteurs de plus de 80 cc de cylindrée et moins à 225 cc de cylindrée :

Catégorie C = 125 heures, Catégorie B = 250 heures,
Catégorie A = 500 heures

Pour les moteurs de 225 cc et plus de cylindrée :

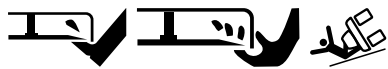
Catégorie C = 250 heures, Catégorie B = 500 heures,
Catégorie A = 1 000 heures

80099151 (révision A)

Guide de pente



AVERTISSEMENT



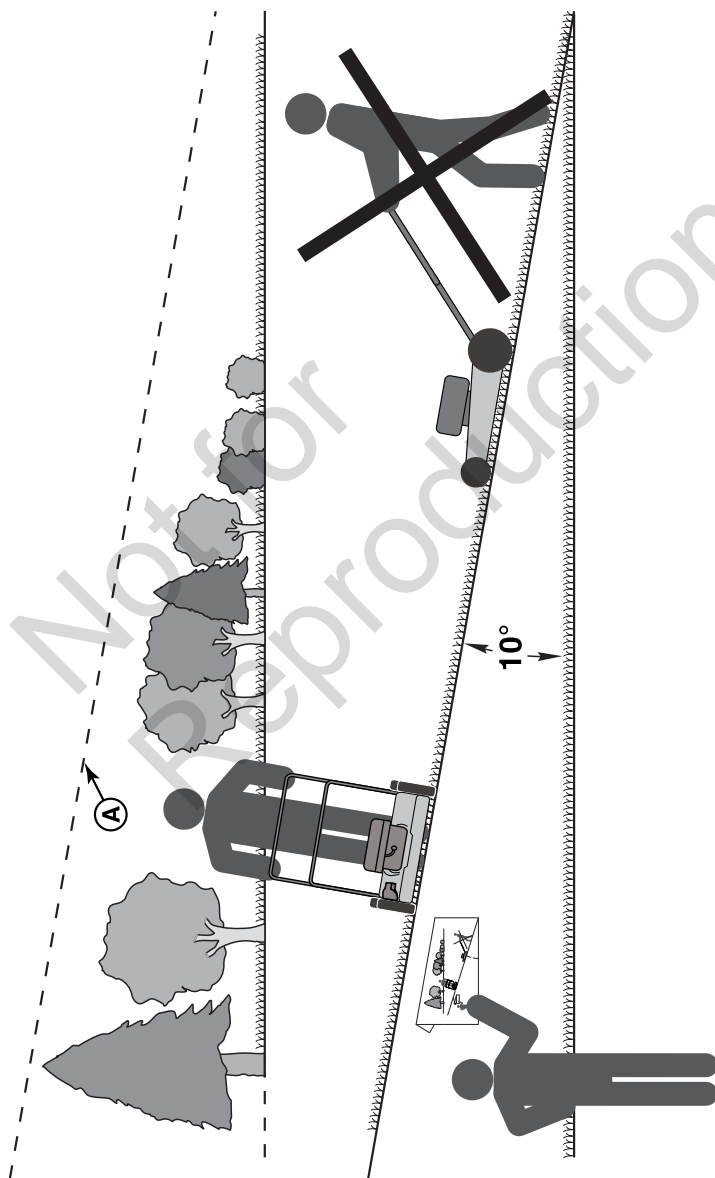
Risque d'amputation et risque de renversement

Pour éviter les blessures graves ou la mort :

- Tondre en montant ou en descendant la pente, non pas en travers.
- Ne pas tondre si la pente est de plus de 10 degrés.
- Faire preuve de prudence lors d'un virage dans une pente. Faire tourner l'outil graduellement afin de garder le contrôle.

Guide de pente

1. Plier cette page le long de la ligne pointillée (A). L'angle de pliage indique une pente de 10 degrés.
2. Tenir la page devant vous de sorte que son bord gauche soit verticalement parallèle à un tronc d'arbre ou à une autre structure verticale.
3. Comparer l'angle du pli avec la pente du terrain à tondre. Si la pente du terrain est supérieure à l'angle du pli, ne pas tondre.



Fiche technique

Fiche technique	7800946-02	7800947-02	7800979-00 7800979A-00 7800979B-00	7800980-00 7800980A-00 7800980B-00 7800981-00 7800981A-00 7800981B-00 7800982-00 7800982A-00 7800982B-00
Tondeuse				
Dimension Châssis (po/cm)	21 / 53	21 / 53	21 / 53	21 / 53
Hauteur de coupe (po/cm)	1.25 - 4 / 3,18 - 10,16	1.25 - 4 / 3,18 - 10,16	1.25 - 4 / 3,18 - 10,16	1.25 - 4 / 3,18 - 10,16
Type de transmission	---	&ÉQUIPEMENTS	---	&ÉQUIPEMENTS
Vitesse d'avance (mph/km/h)	---	1.2 - 4 / 1,9 - 6,4	---	1.2 - 4 / 1,9 - 6,4
Serrage Lame (pi-lb/N m)	40 / 54	40 / 54	40 / 54	40 / 54
Moteur				
Perte de puissance du moteur	8.75	8.75	8.5	8.5
Cylindrée du moteur (cc)	190	190	190	190
Capacité du réservoir d'essence (pt/l)	1.2 / 1,1	1.2 / 1,1	1.2 / 1,1	1.2 / 1,1
Capacité d'huile (oz/l)	18 - 20 / 0,54 - 0,59	18 - 20 / 0,54 - 0,59	18 - 20 / 0,54 - 0,59	18 - 20 / 0,54 - 0,59
Écartement Bougie (po/mm)	0.020 / 0,51	0.020 / 0,51	0.020 / 0,51	0.020 / 0,51
Serrage Bougie (pi-lb/Nm)	180 / 20	180 / 20	180 / 20	180 / 20

*Consulter **Puissance nominale** .

Puissances nominales : Les valeurs brutes de puissance nominale de chaque modèle de moteur à essence sont indiquées conformément au code J1940 Procédure d'évaluation de la puissance et du couple nominaux des petits moteurs de la SAE (Society of Automotive Engineers) et sont évaluées conformément à SAE J1995. Les valeurs de couple sont dérivées à 2 600 tr/min pour les moteurs avec « tr/min » sur l'étiquette et 3 060 tr/min pour tous les autres; les valeurs de puissance sont dérivées à 3 600 tr/min. Les courbes de puissance brute peuvent être consultées sur www.BRIGGSandSTRATTON.COM. Les valeurs nettes de puissance sont prises alors que l'échappement et le filtre à air sont installés alors que les valeurs brutes de puissance sont mesurées sans ces gréments. La puissance brute réelle du moteur sera supérieure à la puissance nette du moteur et sera affectée, entre autres, par les conditions de fonctionnement ambiantes ainsi que par la variabilité d'un moteur à l'autre. Étant donné la vaste gamme de produits sur lesquels les moteurs sont installés, le moteur à essence peut ne pas développer la puissance nominale brute lorsqu'il est utilisé pour entraîner une pièce d'appareil donnée. Cette différence est causée par différents facteurs dont, mais sans s'y limiter, la variété des composants du moteur (filtre à air, échappement, chargement, refroidissement, carburateur, pompe à essence, etc.), les limites de l'appareil, les conditions de fonctionnement ambiantes (température, humidité, altitude) et la variabilité d'un moteur à l'autre. En raison des limites de fabrication et de capacité, Briggs & Stratton peut substituer à ce moteur, un moteur d'une valeur de puissance plus élevée.

Not for
Reproduction

Not for
Reproduction

Not for
Reproduction

Not for
Reproduction